



FEATURES & SPECIFICATIONS

The OnePass Splitter Slice is used to split the branch circuit into two directions. The OSS is a male/female component that allows it to be used anywhere throughout the OnePass Reloc system.

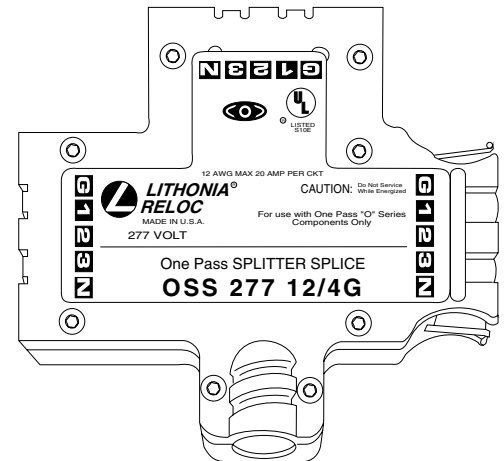
- Pin-and-socket contacts.
- Rated for use on 20-amp branch circuits.
- All conductors are No. 12 AWG copper with 90°C thermoplastic insulation rated at 600V.
- All components provide a fully-rated No. 12 AWG grounding conductor.
- Capable of accommodating cable with up to five conductors.
- Safety-keying prevents accidental mismatching of components with different voltages.
- Additional labeling properly denotes type and position of each conductor.
- UL and C-UL listed.

Catalog Number	
Notes	Type

Industrial Wiring System

OSS

ONEPASS "O" SERIES
SPLITTER SPLICE



ORDERING INFORMATION

Example: **OSS 277 124G**

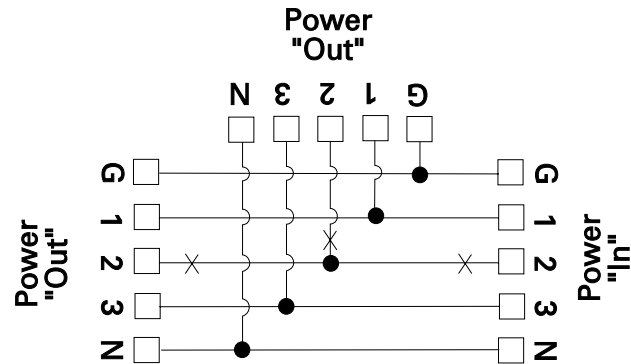
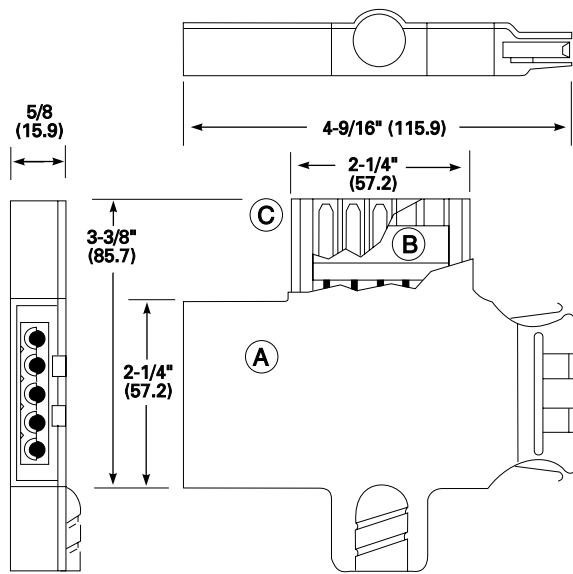
OSS		12/4G
Family	Voltage	# of Conductors
OSS	120V 208V ¹ 240V ¹ 277V 347V 480V ¹	12/4G

¹ For use with 208V, 240V and 480V; consult factory.

OSS Splitter Splice, OnePass "O" Series

DIMENSIONS

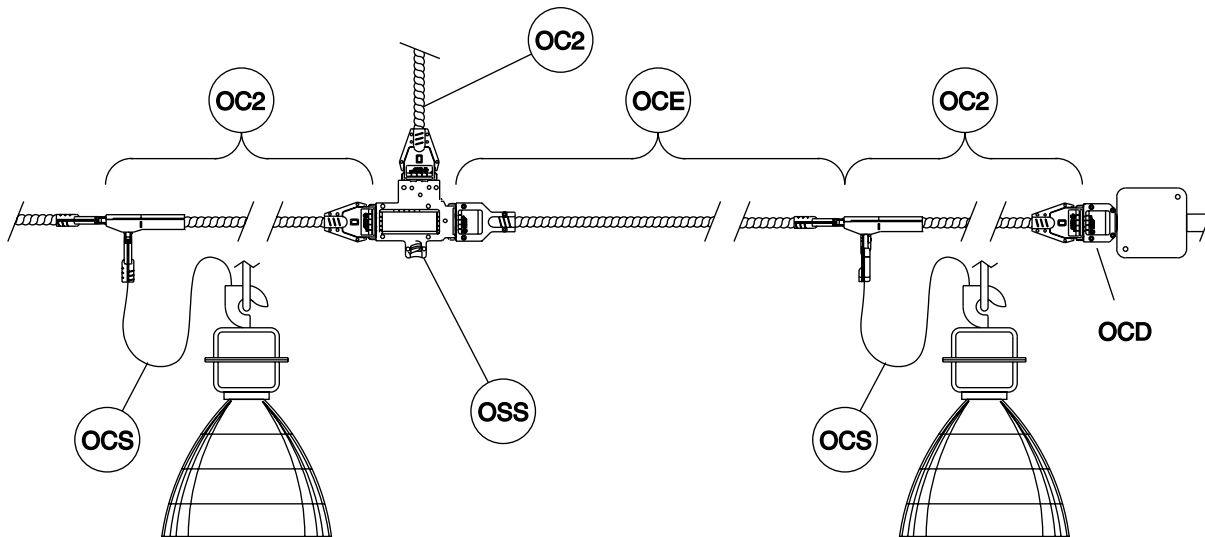
Dimensions are shown in inches (millimeters).



OSS ___12/4G
OnePass SPLITTER SPLICE

- Ⓐ Die-cast zinc with zinc-plated CRS cover
- Ⓑ UL-recognized connector body
- Ⓒ Tin-plated copper contacts

SYSTEM VIEW



An AcuityBrands Company