

Catalog Number	
Notes	Type

FEATURES & SPECIFICATIONS

INTENDED USE

The Power Tee is a through-wired component that makes it possible to select which branch circuit conductor feeds a specific device. The PT also provides power to devices used on convenience power, access floor systems and commercial lighting.

ELECTRICAL

Rated for use on 20-amp branch circuits.

All conductors are No. 12 AWG copper with 90°C thermoplastic insulation rated 600V.

All components provide a fully-rated No. 12 AWG grounding conductor. Safety-keying prevents accidental mating of components with different voltages.

Accommodates up to three hot conductors plus neutral and ground feed-through of branch circuits in a single component.

SYSTEM FEATURES

Pin and socket contacts.

Color-coded labels for quick voltage identification.

Enables receptacle outlets or utilization equipment (e.g., exit signs) to become a part of the Reloc system.

Prestripped solid-copper leads for easy installation into side, back or push-in type terminals.

Safety-keying prevents accidental mismatching of components. Male/female design allows removal of a device without additional components.

Green Armor standard for easy identification in Health Care Facilities.

Auto-latching springs prevent accidental disengagement.

Installs through standard 1/2" trade-size knockout.

LISTINGS

UL listed.

Listed and labeled to comply with Canadian Standards.

IBEW union assembled.

Meets NEC requirements for redundant ground paths for patient care areas in healthcare facilities.

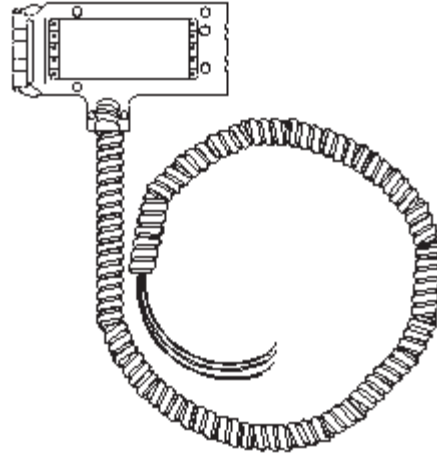
WARRANTY

One year from the date of purchase.

Lighting and Power System

PT

820 Power Tee



ORDERING INFORMATION

All configurations of this product are considered "standard" and have short lead times.
Example: PT 120 F1 A 05 IGW

PT		F		A		
Series	Voltage	Conductors	Tap position	Type of drop	Length	Options
PT	120 120V 277 277V 347 347V	F Five	1 Tap from position one 2 Tap from position two 3 Tap from position three 12 Tap from position one and two 13 Tap from position one and three 123 Tap from position one, two and three	A Armored	05 07 09 11 13 15	2N Two neutrals^{1,2} HCF Meets health care facility requirements³ CSA CSA Certified⁴ IGW Isolated ground⁵

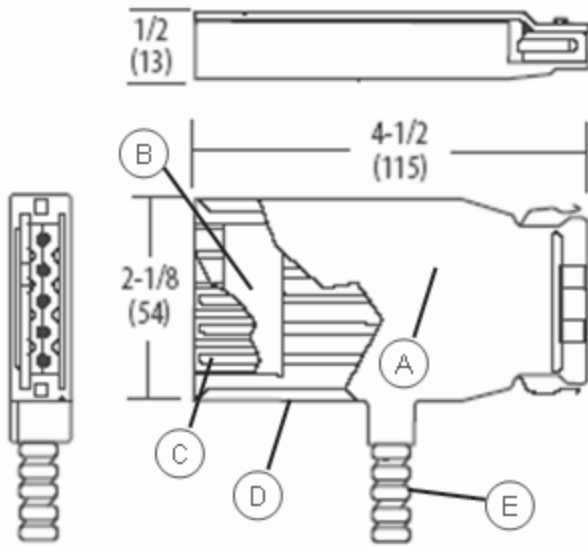
Notes:

- 1 2N option available with F conductor only.
- 2 2N option available with tap positions 2 and 12.
- 3 HCF option available with F conductor only.
- 4 CSA option required for Canada.
- 5 IGW available only with 120V.

PT Power Tee

SPECIFICATIONS

DIMENSIONS SHOWN IN INCHES AND (MILLIMETERS)



- A Die-cast zinc with zinc-plated, cold-rolled steel cover
- B UL-recognized connector body
- C Tin-plated, copper contacts
- D No. 12 AWG wire with 600V, 90°C thermoplastic insulation
- E FMC standard and HCF MC optional.

SYSTEM VIEW

