

Catalog Number	
Notes	Type

## FEATURES & SPECIFICATIONS

### INTENDED USE

The QUICK-FLEX Drop Cable allows miscellaneous devices (i.e. exits or power availability) to become part of the QUICK-FLEX system.

### ELECTRICAL

Rated for use on 20-amp branch circuits.

All conductors are No. 12 AWG copper with 90°C thermoplastic insulation rated 600V.

All components provide a fully-rated No. 12 AWG grounding conductor.

### SYSTEM FEATURES

Pin and socket contacts.

Color-coded labels for quick voltage identification.

Safety-keying prevents accidental mating of components with different voltages.

Auto-latching springs for easy male/female connections.

6" leads are prestripped 5/8" for ease of wiring directly into 1/2" knockout.

Cast snap-in connector provided on whip-end for fast, easy installation into a 1/2" trade size knockout.

Green Armor standard for easy identification in healthcare facilities.

### LISTINGS

UL listed.

Built to UL Standard 183 for Manufactured Wiring Systems and suitable for air handling spaces above grid ceiling as described in NEC 300.22(C)

Listed and labeled to comply with Canadian Standards.

Patent Pending.

Meets NEC requirements for redundant ground paths for patient care areas in healthcare facilities.

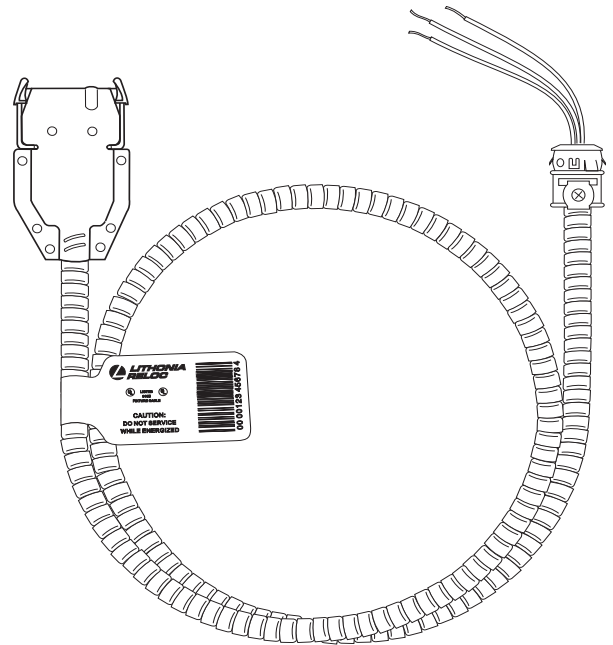
### WARRANTY

One year from the date of purchase.

## Recessed Ceiling Lighting System

# QD

QUICK-FLEX Dropcable



## QUICK-FLEX

## ORDERING INFORMATION

For shortest lead times, configure product using **standard options (shown in bold)**.

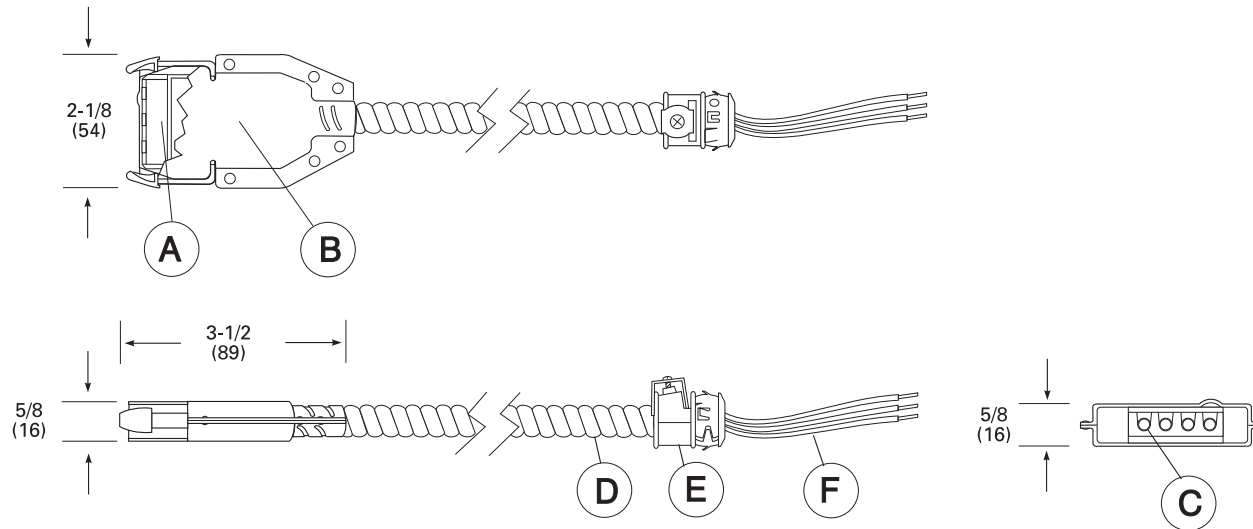
Example: QD277 12/2G15

QD					
Series	Voltage	Conductors	Length	Option <sup>1</sup>	
QD	<b>120 120V</b>	<b>12/2G Two 12 AWG conductors, plus 12AWG ground</b>	<b>01</b>	HCF	Meets healthcare facility requirements
	<b>277 277V</b>		<b>03</b>		
	<b>347 347V</b>		<b>05</b>		
		<b>12/3G Three 12AWG conductors, plus 12 AWG ground</b>	<b>15</b>		

# QD QUICK-FLEX® Drop Cable

## DIMENSIONS

Dimensions are shown in inches (millimeters).



- A UL-recognized connector body
- B Stamped 18-gauge galvanized CRS enclosure
- C Tin-plated copper contacts
- D MC cable and HMC MC optional
- E Cast snap-in connector (for 1/2" trade size knockout).
- F 6" leads prestripped 5/8"; No. 12 AWG with 90°C, 600V insulation

### NOTES:

- 1 One or two hot conductors in 120, 277, 347V as required.
- 2 Prefabricated Quick-Flex drop cable carrying No. 12 AWG copper conductors, 600V, 90°C thermoplastic insulation and fully-rated grounding conductor. Rated for 20-amp capacity.

## SYSTEMVIEW

