

Catalog Number	
Notes	Type

## FEATURES & SPECIFICATIONS

### INTENDED USE

The QUICK-FLEX® Power Tee is ideal for powering downlighting, under floor systems, track light feeds, unit equipment and exit signs. The QUICK-FLEX Power Tee also carries power with the use of the QUICK-FLEX Extender (QE).

### ELECTRICAL

Rated for use on 20-amp branch circuits.

All conductors are No. 12 AWG copper with 90°C thermoplastic insulation rated 600V.

All components provide a fully-rated No. 12 AWG grounding conductor.

### SYSTEM FEATURES

Pin and socket contacts.

Color-coded labels for quick voltage identification.

Safety-keying prevents accidental mating of components with different voltages.

Cast snap-in connector provided on whip end for fast, easy installation into 1/2" trade size knockout; no locknut required.

Prestripped, stranded copper, 5/8" leads for easy installation into push-in-type terminals.

Green armor standard for easy identification in healthcare facilities.

### LISTINGS

UL listed to US and Canadian safety standards.

Built to UL Standard 183 for Manufactured Wiring Systems and suitable for air handling spaces above grid ceiling as described in NEC 300.22(C)

Patent Pending.

Meets NEC requirements for redundant ground paths for patient care areas in healthcare facilities.

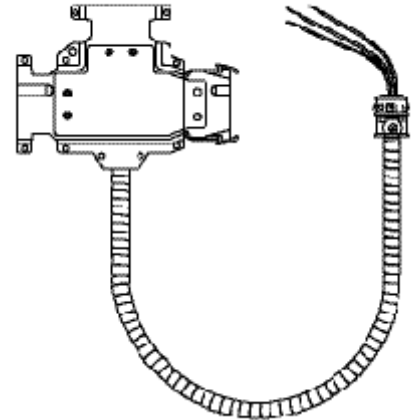
### WARRANTY

One year from the date of purchase.

Recessed Ceiling Lighting Systems

# QPT

QUICK-FLEX Power Tee



## QUICK-FLEX

## ORDERING INFORMATION

For shortest lead times, configure product using **standard options (shown in bold)**.

Example: QPT120 12/2G01

QPT				
Series	Voltage	Conductor	Length	Options <sup>1</sup>
QPT	120 120V 277 277V 347 347V	12/3G <b>Three 12 AWG conductors, plus 12 AWG ground</b>	01 03 09 15 19	<b>IG</b> Isolated ground wire HCF Meets healthcare facility requirements

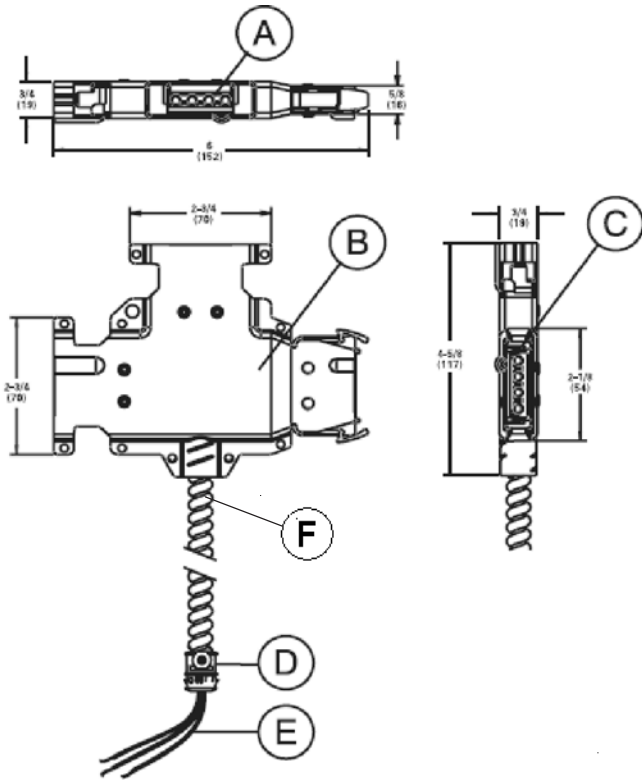
### NOTES:

1 Must order 12/2G when specifying the IG option.

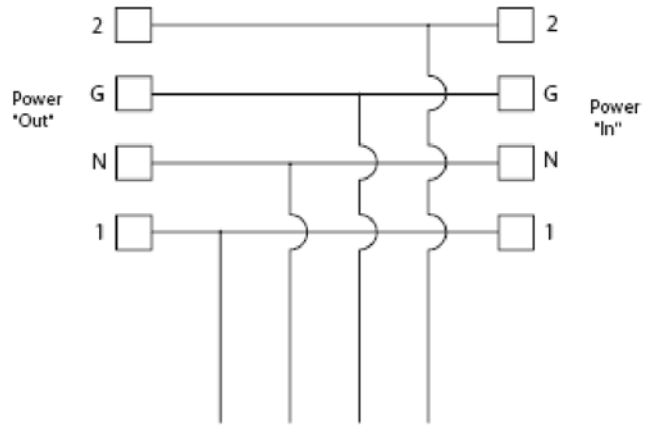
# QPT QUICK-FLEX® Power Tee

## DIMENSIONS

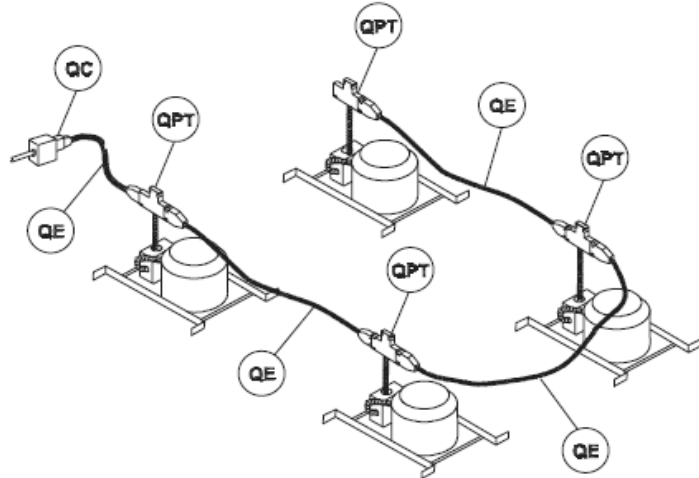
All dimensions are inches (millimeters).



## WIRING DIAGRAMS



## SYSTEM VIEW



- A UL-recognized connector body
- B Stamped 18-gauge galvanized CRS enclosure
- C Tin-plated copper contacts
- D Cast snap-in connector for 1/2" trade size knockout (no locknut required)
- E 6" leads prestripped 5/8"; No. 12 AWG with 90°C, 600V insulation
- F MC Cable and HCF MC optional

### NOTES:

Prefabricated QUICK-FLEX power tee carrying No. 12 AWG copper conductors, 600V, 90°C thermoplastic insulation and fully-rated grounding conductor. Rated for 20-amp capacity.