



Catalog Number	
Notes	Type

FEATURES & SPECIFICATIONS

INTENDED USE

The QUICK-FLEX Splitter separates the branch circuit into two directions. The QS is a male/female component that can be used anywhere throughout the QUICK-FLEX system.

ELECTRICAL

All conductors are No. 12 AWG copper with 90°C thermoplastic insulation rated 600V.

All components provide a fully-rated No. 12 AWG grounding conductor.

Safety-keying prevents accidental mating of components with different voltages.

SYSTEM FEATURES

Rated for use on 20-amp branch circuits.

Pin and socket contacts.

Color-coded labels for quick voltage identification.

LISTINGS

UL listed.

Listed and labeled to comply with Canadian Standards.

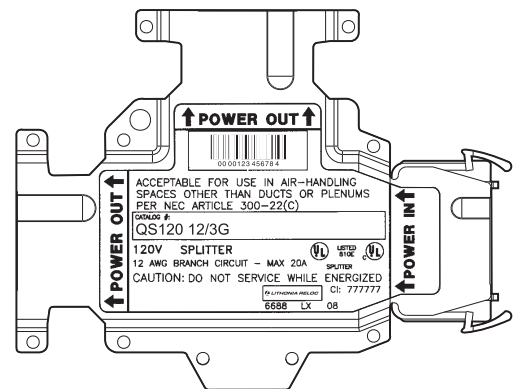
WARRANTY

One year from the date of purchase.

Recessed Ceiling Lighting System

QS

QUICK-FLEX Splitter



QUICK-FLEX

ORDERING INFORMATION

All configurations of this product are considered "standard" and have short lead times.

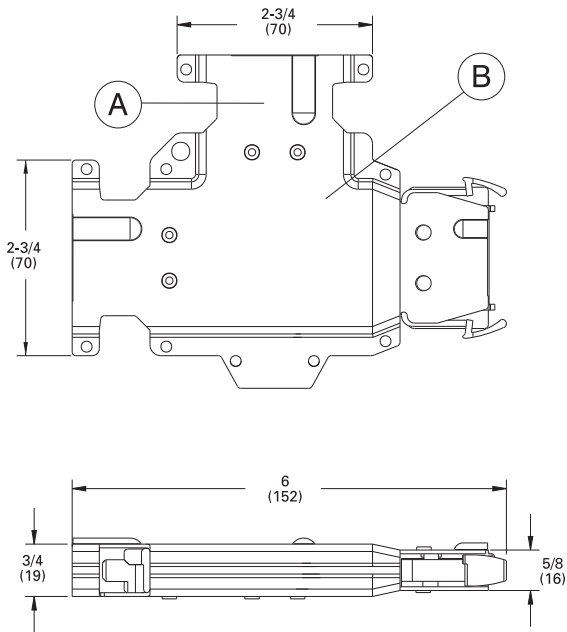
Example: QS120 12/3G

QS		12/3G	
Family	Voltage	Conductors	
QS	120 120V 277 277V 347 347V	12/3G	Three 12 AWG conductors plus 12 AWG ground

QS QUICK-FLEX® Splitter

DIMENSIONS

All dimensions are inches (millimeters).

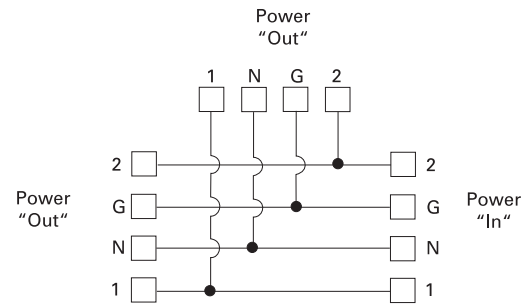


- A UL-recognized connector body
- B Stamped 18-gauge galvanized CRS enclosure
- C Tin-plated copper contacts

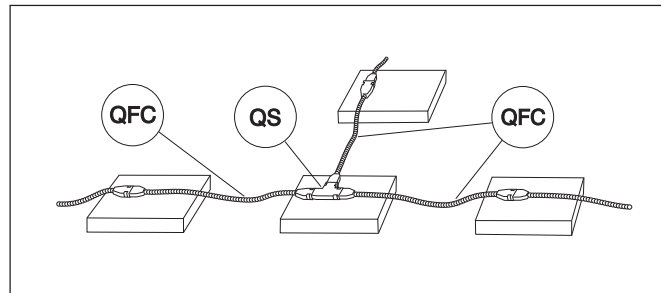
NOTES:

- 1 One or two hot conductors in 120, 277 or 347V as required.
- 2 Prefabricated Quick-Flex splitter carrying No. 12 AWG copper conductors, 600V, 90°C thermoplastic insulation and fully-rated grounding conductor. Rated for 20-amp capacity.

WIRING SCHEMATICS



SYSTEM VIEWS



NOTE:
Two hots, one neutral and one ground.

