

Catalog Number	
Notes	Type

## FEATURES & SPECIFICATIONS

### INTENDED USE

The QUICK-FLEX Switch Drop, located above the primary switch location, introduces local switching to the QUICK-FLEX system. It provides local switched power for fixtures as well as the ability to carry on unswitched power through the use of a QUICK-FLEX Extender (QE).

### ELECTRICAL

Rated for use on 20-amp branch circuits.

Safety-keying prevents accidental mating of components with different voltages.

All conductors are No. 12 AWG copper with 90°C thermoplastic insulation rated 600V.

All components provide a fully-rated No. 12 AWG grounding conductor.

### SYSTEM FEATURES

Pin and socket contacts.

Color-coded labels for quick voltage identification.

Provides switched and unswitched power at every switch location.

### LISTINGS

UL listed.

Listed and labeled to comply with Canadian Standards.

### INSTALLATION

Enables local switches to be integrated into the QUICK-FLEX system.

Located directly above each switch.

Cast snap-in connector provided on whip end for fast, easy installation into 1/2" trade size knockout; no locknut required.

Prestripped, solid copper leads for easy installation into push-in-type terminals on switches.

Prestripped 5/8" leads for ease of wiring.

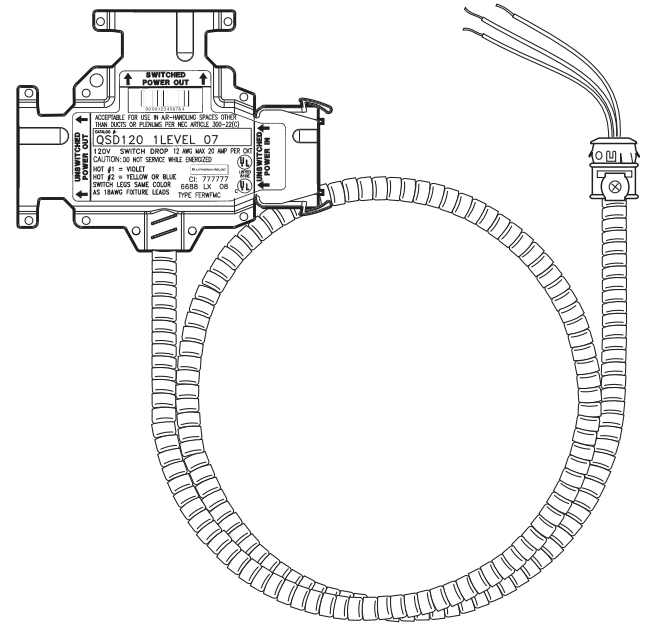
### WARRANTY

One year from the date of purchase.

Recessed Ceiling Lighting System

# QSD

QUICK-FLEX Switch Drop



## QUICK-FLEX

## ORDERING INFORMATION

All configurations of this product are considered "standard" and have short lead times.

Example: QSD120 1LEVEL 07

QSD				
Series	Voltage	Conductors	Length	Options <sup>1</sup>
QSD	120 120V 277 277V 347 347V	1LEVEL Two 12 AWG conductors, plus 12AWG ground 2LEVEL Four 12 AWG conductors, plus 12AWG ground 1LEVEL/N Two 12 AWG conductors, plus 12 AWG ground and 12 AWG neutral	01 07 09 13 15	HCF Meets healthcare facility requirements

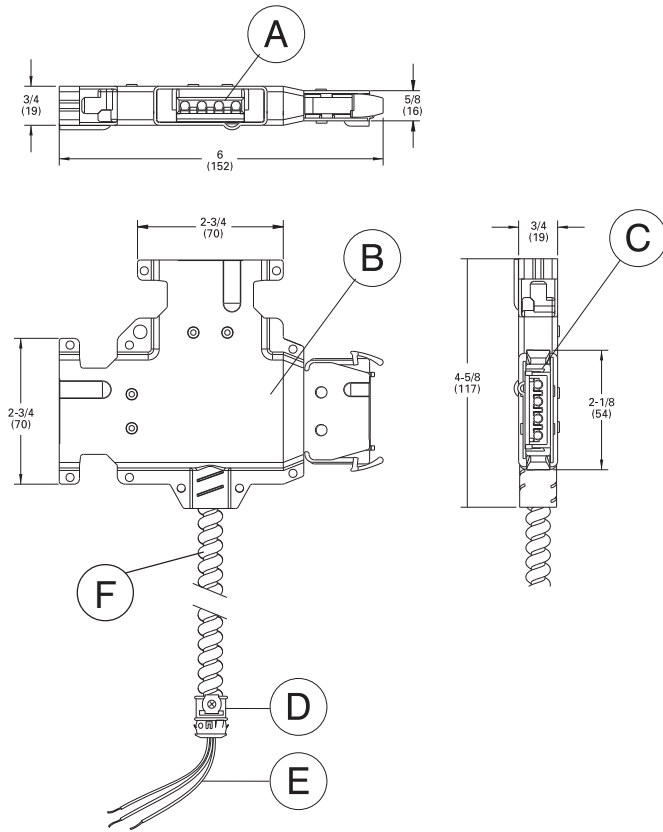
### NOTES:

1 HCF is available with 2LEVEL and 1LEVEL/N conductors only.

# QSD QUICK-FLEX® Switch Drop

## DIMENSIONS

All dimensions are inches (millimeters).

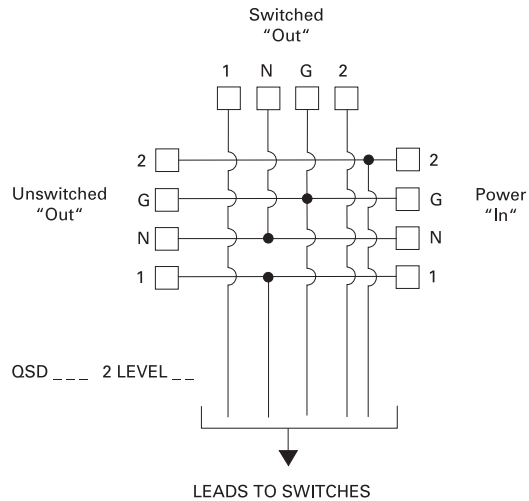
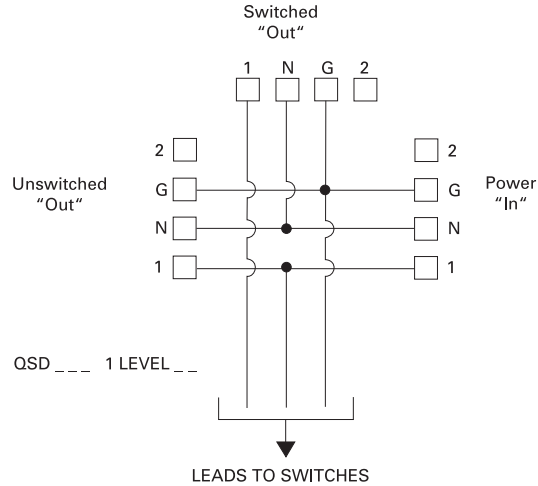


- A UL-recognized connector body
- B Stamped 18-gauge galvanized CRS enclosure
- C Tin-plated copper contacts
- D Cast snap-in connector for 1/2" trade size knockout (no locknut required)
- E 6" leads prestripped 5/8"; No. 12 AWG with 90°C, 600V insulation
- F MC Cable standard and HCF MC optional.

### NOTES:

- 1 One or two hot conductors in 120, 277 or 347V as required.
- 2 Prefabricated Quick-Flex switch drop carrying No. 12 AWG copper conductors, 600V, 90°C thermoplastic insulation and fully-rated grounding conductor. Rated for 20-amp capacity.

## WIRING SCHEMATICS



## SYSTEM VIEW

