

FEATURES & SPECIFICATIONS

INTENDED USE

Ideal for retrofit projects that use the RCA(RELOC cord assembly). Existing and new 820 system componetes are used with the RRCA.

ELECTRICAL

- Pin and socket contacts.
- Rated for use on 20-amp branch circuits.
- Replaces conventional cord and plug.
- All conductors are No. 12 AWG copper with 90°C thermo-plastic insulation rated at 600V.
- All components provide a fully rated No. 12 AWG grounding conductor.
- Fixture leads are No. 16 AWG rubberized cord rated at 600V.

SYSTEM FEATURES

- Safety-keying prevents accidental mismatching of components with different voltages.
- Additional labeling properly denotes type and position of each conductor.
- Male/female design allows removal without adding components.

LISTINGS

UL listed, CSA Certified

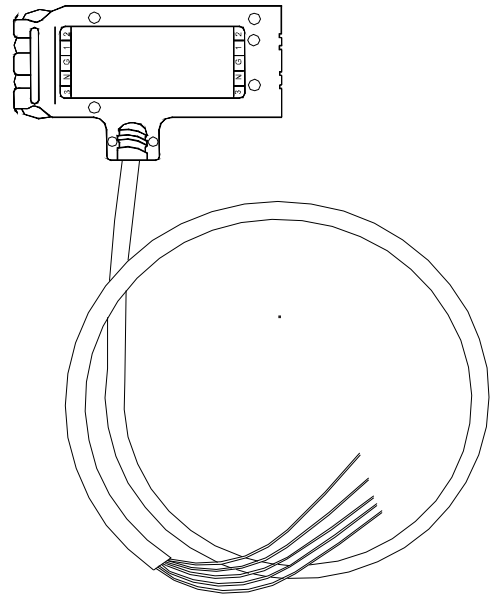
WARRANTY

One year from the date of purchase.

CatalogNumber	
Notes	Type

Replacement RELOC Cord Assembly

RRCA



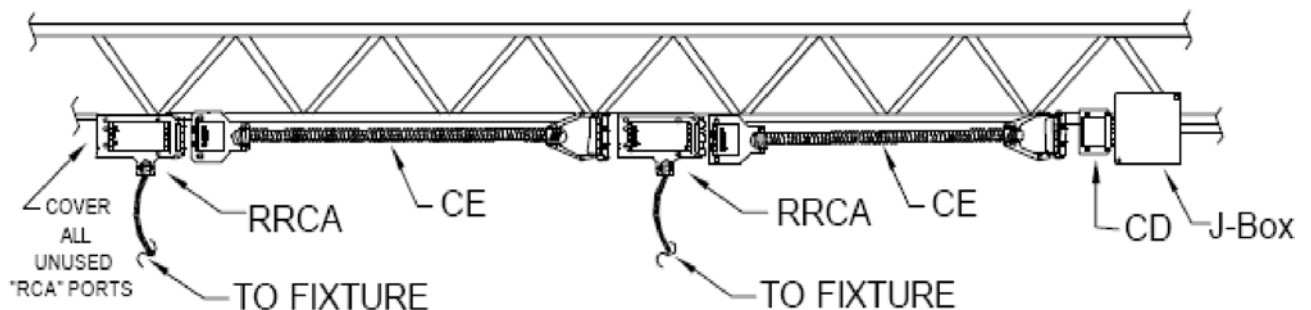
Example:RRCA 277 F123 05 WH

ORDERING INFORMATION FOR SHORTEST LEAD TIMES, CONFIGURE PRODUCT SING STANDARD OPTIONS (SHOWN IN BOLD).

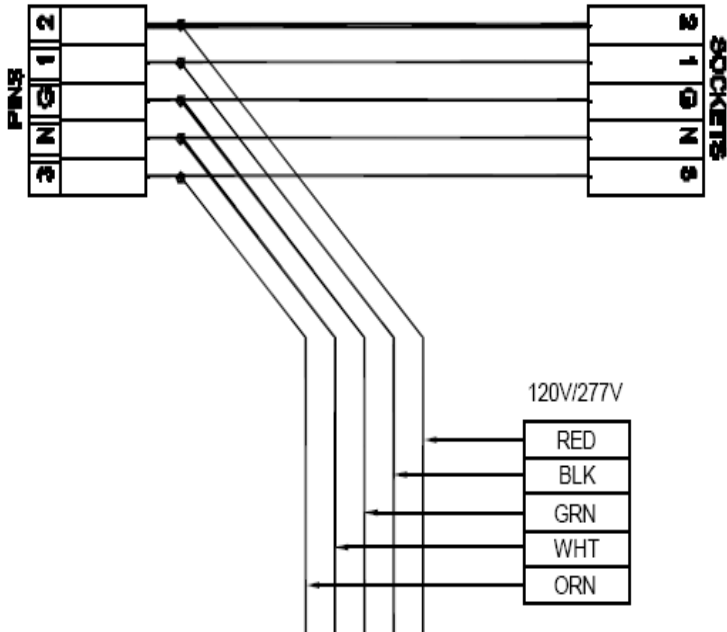
Series	Voltage	Tap Position	Length ⁵	Finish
RRCA	120 120V 208 208V 240 240V 277 277V 480 480V	F123 1,2 and 3 ² F1234 1,2,3 and 4 ³	05 5 ^{FT} 10 10 ^{FT} 15 15 ^{FT}	WH White Cord

- Notes
- 1.16/4G cord standard
 2. Available with 120V and 277V only
 3. Available with 208V, 240V or 480v only
 4. Consult factory for two-circuit, two-neutral options for 120V and 277V
 5. Standard lenghts listed. Consult factory for custom lengths
 6. 5 conductor cord standard, cap unused wireleads.

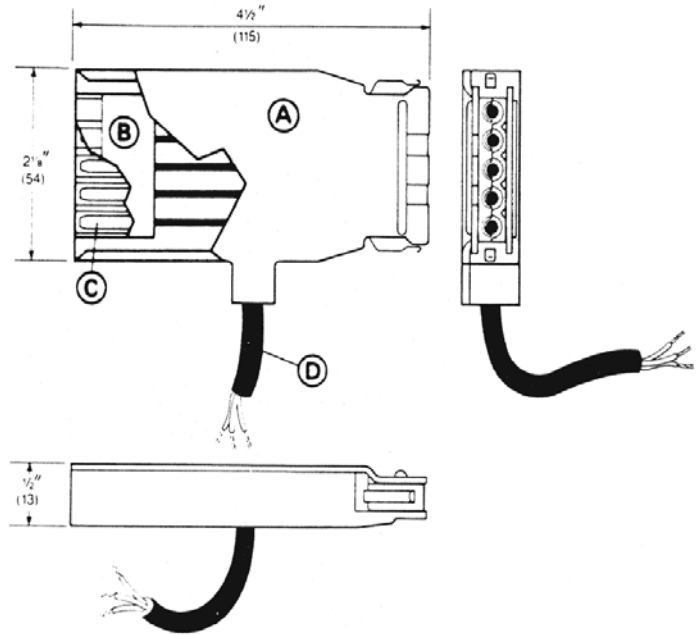
SYSTEM VIEW



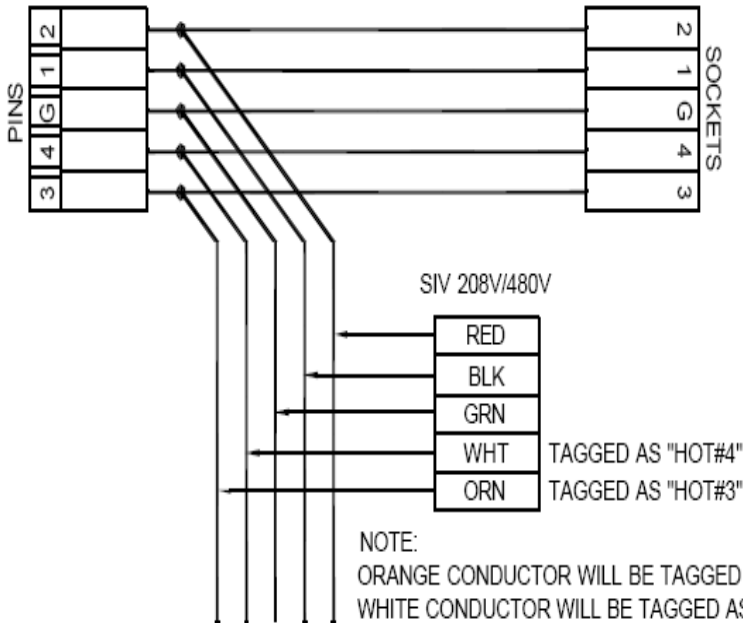
**WIRE COLOR AND POSITIONS BY VOLTAGE
120V AND 277V**



DIMENSIONS



**WIRE COLOR AND POSITIONS BY VOLTAGE
240V AND 480V**



- A Die-cast zinc with zinc-plated CRS cover
- B UL recognized connector body
- C Tin plated copper contacts
- D Rubberized cord with No. 16 AWG conductors. Rated at 600V, 105°C thermoplastic insulation. Provides a fully rated grounding conductor