

Catalog Number	
Notes	Type

FEATURES & SPECIFICATIONS

INTENDED USE

The Switching Tee, located above the primary switch location, introduces local switching to RELOC systems. It provides local switched power and unswitched power to be used as needed for subsequent fixtures

ELECTRICAL

Rated for use on 20-amp branch circuits.

All conductors are No. 12 AWG copper with 90°C thermoplastic insulation rated 600V.

All components provide a fully-rated No. 12 AWG grounding conductor. Safety-keying prevents accidental mating of components with different voltages.

SYSTEM FEATURES

Pin and socket contacts.

Color-coded labels for quick voltage identification.

restripped solid-copper leads for easy installation into side, back or push-in type terminals on switches.

Safety-keying prevents accidental mismatching of components

Male/female design allows removal of a device without additional components.

Green Armor standard for easy identification in Health Care Facilities.

Auto-latching springs prevent accidental disengagement

Installs through standard 1/2" trade-size knockout

LISTINGS

UL listed.

Listed and labeled to comply with Canadian Standards.

IBEW union assembled.

Meets NEC requirements for redundant ground paths for patient care areas in healthcare facilities.

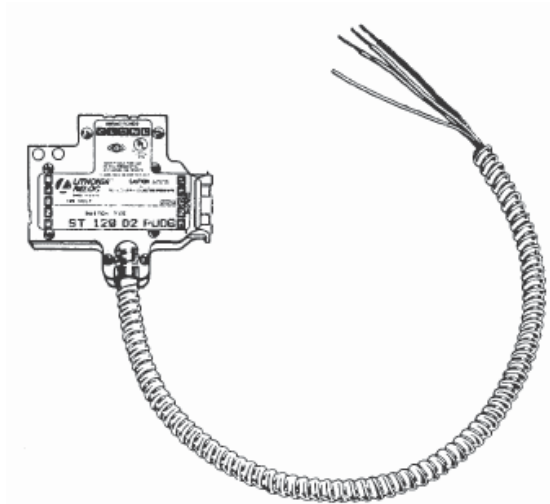
WARRANTY

One year from the date of purchase.

Lighting and Power System

ST

820 Switching Tee



ORDERING INFORMATION

All configurations of this product are considered "standard" and have short lead times.
Example: ST 120 D P 09

ST				P	U		
Series	Voltage	Conductors	Switching function	Drop type	Factory keying	Length	Options
ST	120 120V 277 277V 347 347V	D Three E Four	1 Single-level 2 Two-level	P	U	01 06 08 09 15	N One neutral wire provided in drop ¹ HCF Meets health care facility requirements CSA CSA Certified ²

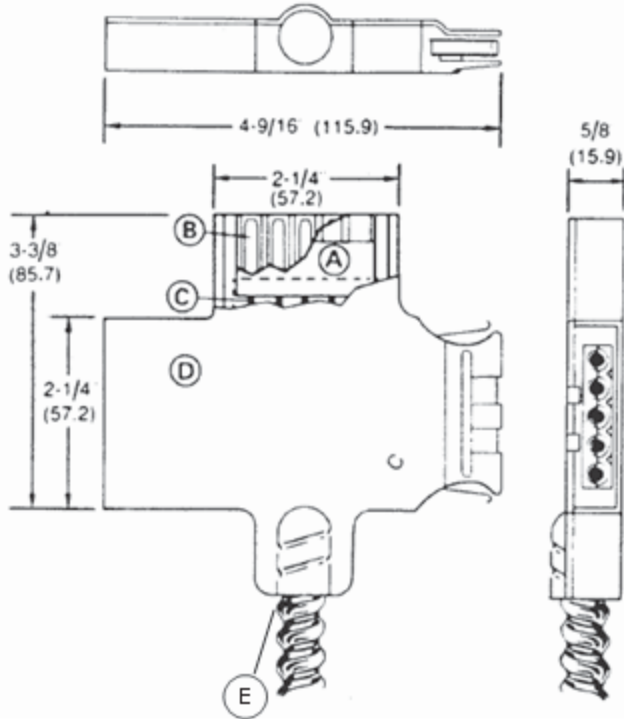
Notes:

- 1 Neutral available with D conductor only.
- 2 CSA option required for Canada.

ST Switching Tee

SPECIFICATIONS

DIMENSIONS SHOWN IN INCHES AND (MILLIMETERS)



- A UL recognized connector body
- B Tin-plated copper contacts
- C No. 12 AWG wire rated at 600V, 90°C
- D Die-cast zinc with zinc-plated CRS cover
- E FMC standard and HCF MC optional

Rated for 20-amp capacity.

SYSTEM VIEW

