



**READ AND FOLLOW ALL SAFETY INSTRUCTIONS!
SAVE THESE INSTRUCTIONS AND DELIVER TO OWNER AFTER INSTALLATION**

- To reduce the risk of death, personal injury or property damage from fire, electric shock, falling parts, cuts/abrasions, and other hazards please read all warnings and instructions included with and on the fixture box and all fixture labels.
- Before installing, servicing, or performing routine maintenance upon this equipment, follow these general precautions.
- Installation and service of luminaires should be performed by a **qualified licensed electrician**.
- Maintenance of the luminaires should be performed by person(s) familiar with the luminaires' construction and operation and any hazards involved. Regular fixture maintenance programs are recommended.
- It will occasionally be necessary to clean the outside of the refractor/lens. Frequency of cleaning will depend on ambient dirt level and minimum light output which is acceptable to user. Refractor/lens should be washed in a solution of warm water and any mild, non-abrasive household detergent, rinsed with clean water and wiped dry. Should optical assembly become dirty on the inside, wipe refractor/lens and clean in above manner, replacing damaged gaskets as necessary.
- **DO NOT INSTALL DAMAGED PRODUCT!** This luminaire has been properly packed so that no parts should have been damaged during transit. Inspect to confirm. Any part damaged or broken during or after assembly should be replaced.
- Recycle: For information on how to recycle LED electronic products, please visit www.epa.gov.
- These instructions do not purport to cover all details or variations in equipment nor to provide every possible contingency to meet in connection with installation, operation, or maintenance. Should further information be desired or should particular problems arise which are not covered sufficiently for the purchaser's or owner's purposes, this matter should be referred to Acuity Brands Lighting, Inc.




WARNING
RISK OF ELECTRIC SHOCK

- ✓ Disconnect or turn off power before installation or servicing.
- ✓ Verify that supply voltage is correct by comparing it with the luminaire label information.
- ✓ Make all electrical and grounded connections in accordance with the National Electrical Code (NEC) and any applicable local code requirements.
- ✓ All wiring connections should be capped with UL approved recognized wire connectors.




WARNING
RISK OF BURN

- ✓ Allow lamp/fixture to cool before handling. Do not touch enclosure or light source.
- ✓ Do not exceed maximum wattage marked on luminaire label.
- ✓ Follow all manufacturer's warnings, recommendations and restrictions for: driver type, burning position, mounting locations/methods, replacement and recycling.



CAUTION
RISK OF INJURY

- ✓ Wear gloves and safety glasses at all times when removing luminaire from carton, installing, servicing or performing maintenance.
- ✓ Avoid direct eye exposure to the light source while it is on.



CAUTION
RISK OF FIRE

- ✓ Keep combustible and other materials that can burn, away from lamp/lens.
- ✓ Do not operate in close proximity to persons, combustible materials or substances affected by heat or drying.



CAUTION: RISK OF PRODUCT DAMAGE

- ✓ Never connect components under load.
- ✓ Do not mount or support these fixtures in a manner that can cut the outer jacket or damage wire insulation.
- ✓ Unless individual product specifications deem otherwise: Never connect an LED product directly to a dimmer packs, occupancy sensors, timing devices, or other related control devices. LED fixtures must be powered directly off a switched circuit.
- ✓ Unless individual product specifications deem otherwise: Do not restrict fixture ventilation. Allow for some volume of airspace around fixture. Avoid covering LED fixtures with insulation, foam, or other material that will prevent convection or conduction cooling.
- ✓ Unless individual product specifications deem otherwise: Do not exceed fixtures maximum ambient temperature.
- ✓ Only use fixture in its intended location.
- ✓ LED products are Polarity Sensitive. Ensure proper Polarity before installation.
- ✓ Electrostatic Discharge (ESD): ESD can damage LED fixtures. Personal grounding equipment must be worn during all installation or servicing of the unit.
- ✓ Do not touch individual electrical components as this can cause ESD, shorten lamp life, or alter performance.
- ✓ Some components inside the fixture may not be serviceable. In the unlikely event your unit may require service, stop using the unit immediately and contact an ABL representative for assistance.
- ✓ Always read the fixtures complete installation instructions prior to installation for any additional fixture specific warnings.

Please see product specific installation instructions for additional warnings or any applicable FCC or other regulatory statements.

Failure to follow any of these instructions could void product warranties. For a complete listing of product Terms and Conditions, please visit www.acuitybrands.com.

Our Brands	Indoor/Outdoor Lithonia Lighting Carandini Holophane RELOC	Indoor Lighting Gotham Mark Architectural Lighting Peerless Renaissance Lighting Winona Lighting	Outdoor Lighting American Electric Lighting Antique Street Lamps Hydrel Tersen	Controls DARK TO LIGHT Lighting Control & Design ROAM Sensor Switch Synergy
-------------------	---	--	---	---

Acuity Brands Lighting, Inc. assumes no responsibility for claims arising out of improper or careless installation or handling of its products.

ABL LED General Warnings, Form No. 503.203

© 2013 Acuity Brands Lighting, Inc. All rights reserved. 6/12/13

INTRODUCTION

Product Description

The Drop Refractor is intended to increase light thrown upwards by the luminaire. The light trespass Shield is intended to prevent any light from being emitted in a particular direction based on where the shield is installed. Each refractor kit consists of a refractor and #8 Hex head thread rolling screws (x3). Each Trespass Shield kit consists of one shield.

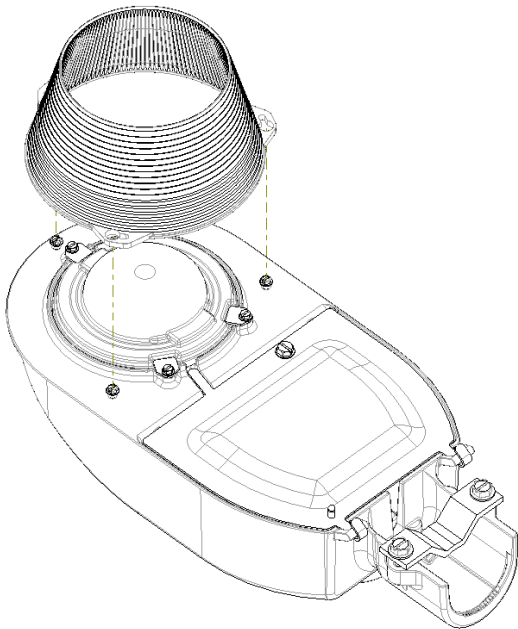
INSTALLATION

Tools and Materials Required

Description	Use
1/4" Socket or Nut Driver	Screws

Drop Refractor:

Pre-install provided (3) #8 Hex head screws in holes surrounding luminaire optical area. Do not fully tighten. Before installing the refractor, open the door of luminaire and break off the tab that covers the wires leading into the optics chamber. The tab has a score line and can be easily broken off by hand along this line. Align keyhole slots in refractor base to screws. Rotate refractor slightly to engage keyholes slots onto screw heads. Tighten screws until snug.



GR-2539

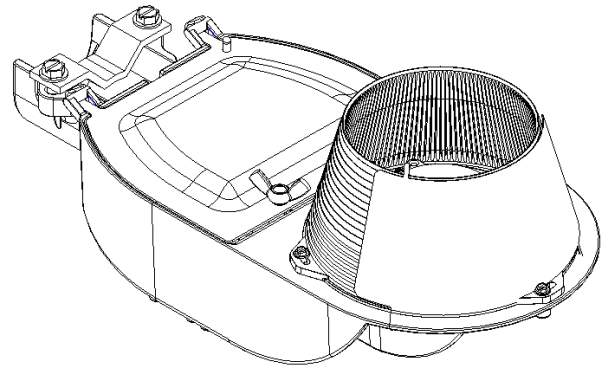
Drop Refractor with Light Trespass Shield:

These instructions are meant for installation of a Light Trespass Shield for use in combination with a drop refractor only

If a Drop Refractor is already installed, loosen #8 hex head screws and rotate refractor to engage keyhole slots and remove from luminaire.

Place the Light Trespass Shield snug against the outside of the refractor. Bend the legs at the bottom and the top of the Trespass Shield so that they hook around the refractor. See previous section for Drop Refractor Installation.

Note: The shield installation can be done without entirely removing the refractor by only loosening the refractor screws and pre-bending the bottom refractor tabs to slide them under the shield. However, complete removal of the refractor is the generally the easiest method of installation.



GR-2540

INTRODUCTION

Product Description

The Light Trespass Shield is intended to limit the light directed to the sides and above/below the luminaire. There is a standard kit consisting of a shield and #8 Hex head thread rolling screws (x2) and a street side kit consisting of a shield and #8 Hex head thread rolling screws (x3)

INSTALLATION

Tools and Materials Required

Description	Use
1/4" Socket or Nut Driver	Screws

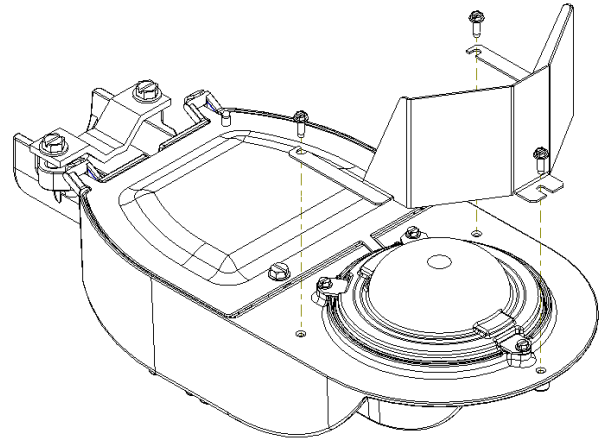
Light Trespass Shield:

If luminaire has pre-installed Zero Uplight Shield, loosen the #8 Hex head screws (3). The Trespass Shield will share two #8 Hex head screws with the Uplight Shield.

For each Trespass Shield kit there are three possible alignments (house side, right, left) for installation of the trespass shield with mounting locations surrounding the optical area. Align screw hole locations on the shield to desired orientation. Install provided (2) #8 Hex head screws in holes surrounding luminaire optical area. If zero-uplight shield is already installed, loosen existing screws enough to slide street side shield into place and tighten screws back into place.

Light Trespass Shield - Street Side:

The Street Side Trespass Shield kit is intended to be installed on the street side of the fixture. Align screw hole locations on the shield to street side orientation. Install provided (3) #8 Hex head screws in holes surrounding luminaire optical area. If zero-uplight shield is already installed, loosen existing screws enough to slide street side shield into place and tighten screws back into place.

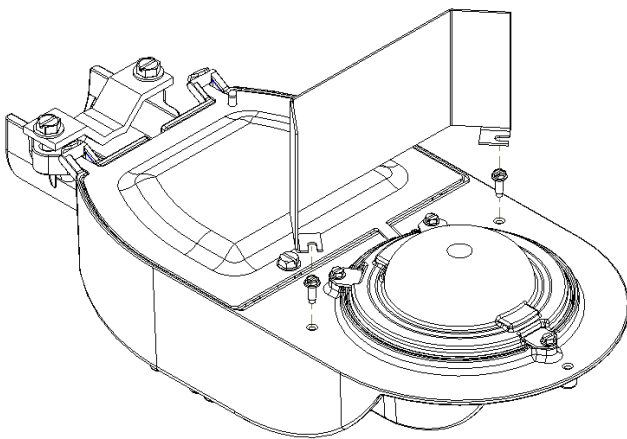


GR-2542



An AcuityBrands Company

©2014 Acuity Lighting Group, Inc.



GR-2541

INTRODUCTION

Product Description

The Zero Uplight Shield is intended to limit the light directed above the luminaire. Each Zero-uplight Shield kit consists of a shield and #8 Hex head thread rolling screws (x3).



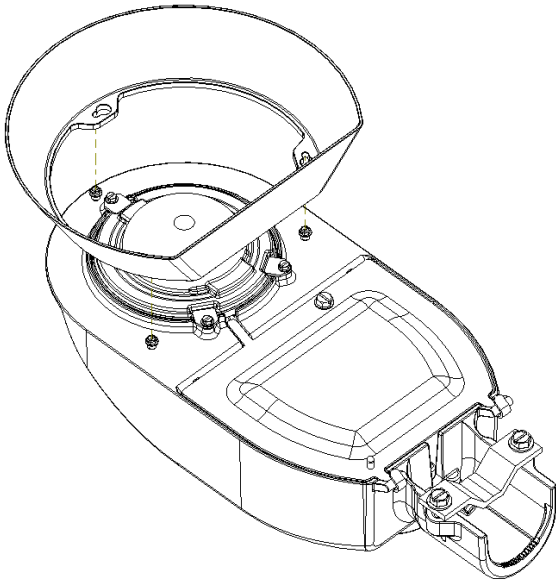
INSTALLATION

Tools and Materials Required

Description	Use
1/4" Socket or Nut Driver	Screws

Zero Uplight Shield:

Pre-install provided (3) #8 Hex head screws in holes surrounding luminaire optical area. Do not fully tighten. Before installing the shield, open the door of luminaire and break off the tab that covers the wires leading into the optics chamber. The tab has a score line and can be easily broken off by hand along this line. Align keyhole slots in Uplight Shield base to screws. Rotate uplight shield slightly to engage keyholes slots onto screw heads. Tighten screws until snug.



GR-2543