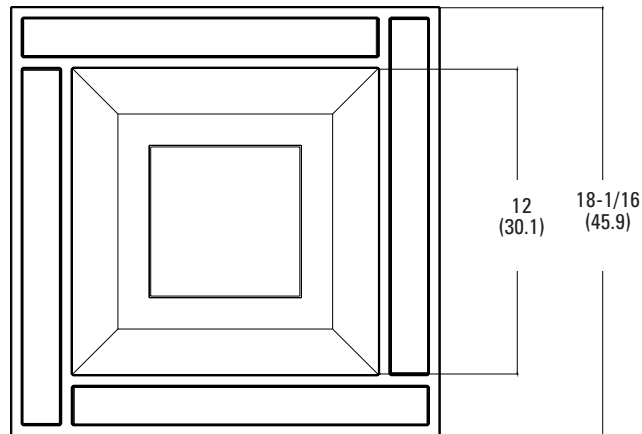
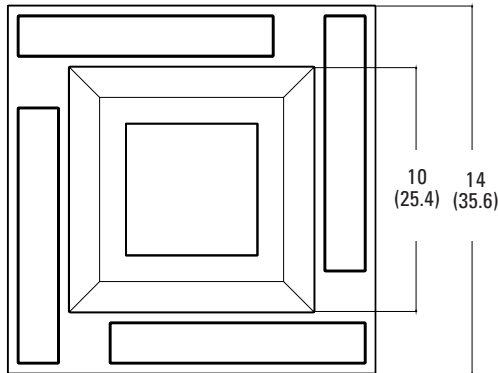
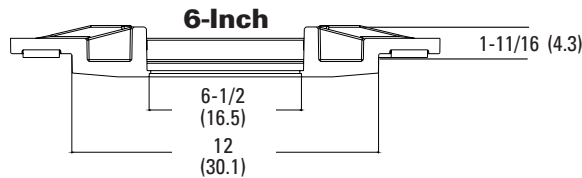
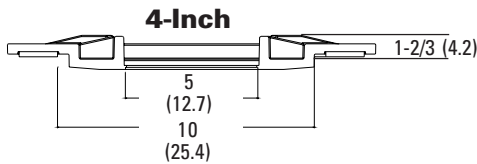


FEATURES

- For use with 4" and 6" Gotham square mounting frames including LED, CFL, HID and Incandescent. Microflange™ trim provides a clean, flush appearance for use with drywall ceiling applications. 4" unit will fit minimum 16" on-center joist construction. 6" unit will fit minimum 20" on-center joist construction.
- Gypsum interface board: a fiberglass reinforced board provides a solid interface between the mounting frame and ceiling, preventing hairline cracks that typically form around the finishing trim. The gypsum interface board can easily attach to any Gotham square aperture mounting frame. Removable slats are provided to accommodate different ceiling thicknesses from 5/8" or 3/4". Adds 1/8" to overall fixture height.
- Plaster guard: snaps into aperture during the finishing process to protect the interface board and inside of fixture from plaster and paint.
- Available with either high impact polymer or anodized metal trims.
- One piece polymer trim eliminates mitered flange corners and inside corner gaps. Matte-diffuse finish standard.
- Semi-specular or matte-diffuse finish available with anodized metal.

All dimensions are inches (centimeters)



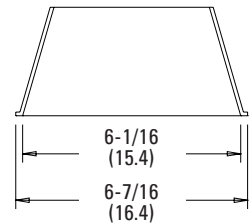
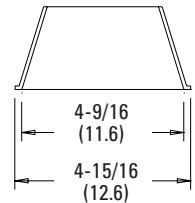
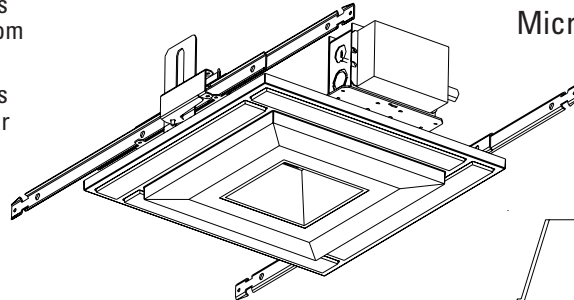
Type Catalog number

.....

Options and Accessories

MFLG

Microflange™ Trim



Microflange™ trims are available with the following Gotham Square luminaires (Specify MFLG in luminaire ordering tree)²

ECSS	LED Downlight	SQP	PAR Incandescent Downlight
ECSSW	LED Wallwash	SQPH	PAR HID Downlight
SQDLV	Low Voltage Accent	SQTH	T4/T6 Downlight
SQDLW	Incandescent Lensed Wallwash	SQF	Fluorescent Downlight
SQDLWH	HID Lensed Wallwash	SQFW	Fluorescent Wallwash
SQDLWTH	T4/T6 Lensed Wallwash	SQAZ	Incandescent Low Profile Downlight
SQDMRH	MR16 MHC Accent	SQAZW	Incandescent Low Profile Wallwash
SQDP¹	Directional PAR Incandescent	SQHZ	HID Low Profile Downlight
SQDPH¹	Directional PAR HID	SQHZW	HID Low Profile Wallwash
SQDTH¹	Directional T4/T6		

Notes

¹ Only available with anodized metal finishing trim.

² Example: SQF 1/26TRT 6AR LD MVOLT MFLG