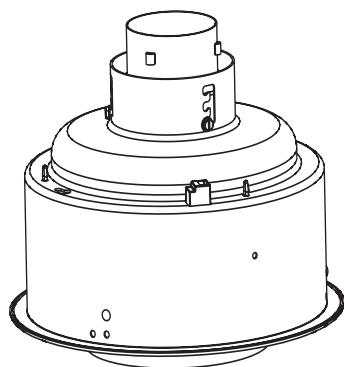


## INSTALLATION INSTRUCTIONS

# Candéo® LED

## PDLFV Reflector

Upon receipt, thoroughly inspect for any freight damage which should be brought to the attention of the delivery carrier. Compare the catalog description listed on the packing slip with the label on the carton to ensure that you have received the correct merchandise.



### IMPORTANT SAFETY INFORMATION

For Your Protection, Read Carefully

**WARNING** - Risk of fire. Do not install insulation within 3 inches of fixture sides or wiring compartment, nor above the fixture in such a manner as to entrap heat.

#### 1. Electric current can cause painful shock or serious injury unless handled properly. For your safety, always remember the following:

- Turn off the power supply.
- Ground the fixture to avoid potential electrical shocks.
- Do not handle an energized fixture or energize any fixture with wet hands, when standing on a wet or damp surface, or in water.
- Double check all electrical connections to be sure they are tight and correct.

#### 2. Specific safety information concerning lamps:

- Match wattage of fixture and lamp exactly.
- Do not remove or insert lamp when power is on.
- Do not scratch glass or subject lamp to undue pressure as either may cause lamp breakage.
- Protect operating lamp from sources of moisture.

## SAVE THESE INSTRUCTIONS

### New Installation for PDLFV

1. Pull down on flange to remove trim (see Figure 1).
2. If required, make inner reflector height adjustments by loosening the three screws attaching it to the outer reflector, selecting a slot and re-tightening screws (see Figure 1).
3. Attach socket cup to top of inner reflector by aligning spring clip on socket cup with alignment arrow on inner reflector (see Figure 2).
4. Slide socket cup onto reflector neck until top of reflector embosses meet the top of the slots in the socket cup.
5. Twist socket cup clockwise until spring clip locks into place (see Figure 2).
6. Plug in phone cord from LED driver located on housing (see Figure 3).
7. Push reflector through mounting frame opening and align key hole slots with screws. (WARNING: Key hole slots are located behind LED board. When aligning screws, be careful not to damage board) (see Figure 4).
8. Install trim.
9. Install compact fluorescent lamp.

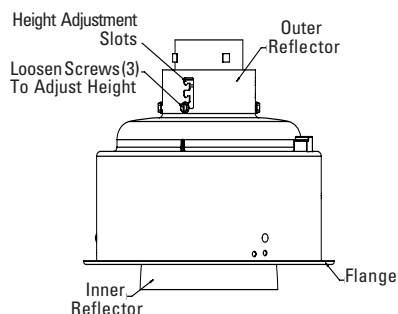


Figure 1

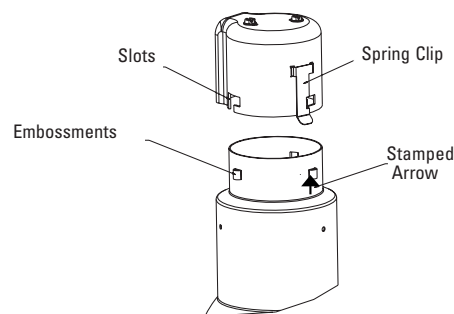


Figure 2

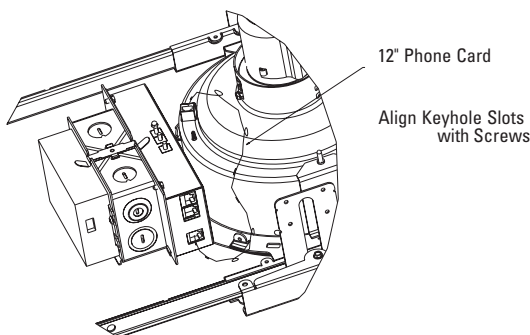


Figure 3

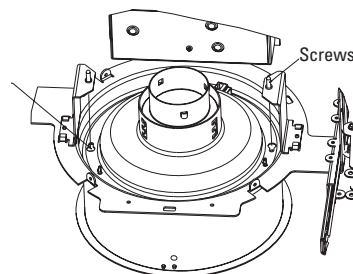


Figure 4

### TROUBLE SHOOTING CHART

Check for any visible damage to the lamp or frame-in module. If they seem in good condition, locate the problem in the following list of possible causes and corrective actions. For LED trouble shooting, contact Gotham Technical Support.

Symptom	Possible Cause	Corrective Action
LAMP FAILS TO LIGHT	-Circuit feeding the fixture not energized -Wiring error in circuit or module connection  -Faulty lamp	-Check circuit breaker or fuse to ensure that circuit is energized. -Examine fixture splice box to ensure that connections are correct. -Remove the faulty lamp and substitute another lamp, preferably one that is known to light. If the lamp lights, replace the original with a new one.
LAMP GOES OUT AFTER LIGHTING	-Line or ballast output -Faulty ballast -Ambient temperature too low	-Check line voltage at fixture. Check open circuit voltage. -Check circuit continuity. -Check ballast rating against existing environmental conditions.
LAMP CYCLES ON AND OFF	-Insulation is too close to fixture -Lamp wattage too high -Ballast output voltage low	-Occasionally a lamp will exhibit this symptom rather than simply failing to light. Substitute a new lamp. -Remove insulation from around module (at least 3") -Install lamp wattage specified in housing. -Check line voltage at the fixture. Check open circuit voltage.