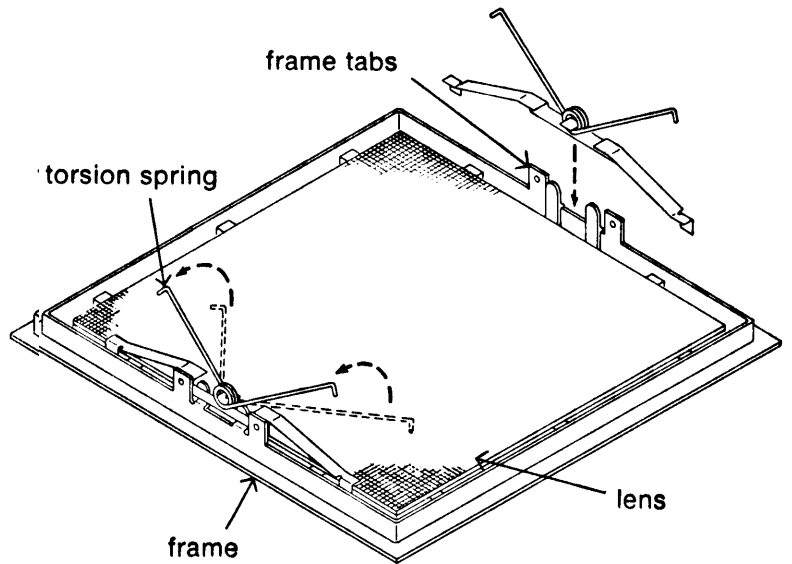


# INSTRUCTION SHEET

## 11" RECESSED SQUARE

CAST FRONT

1. Place lens in frame and slide edge under spring clip.
2. Install second spring clip by gently bending clip and sliding it between tabs on frame until secured in the two holes on tabs.
3. To bring torsion springs to the vertical position: take hold of both ends of torsion spring and force up. Torsion spring will snap into place.
4. Attach front to housing by inserting torsion springs into slots provided on housing.
5. Push up to close.



**Initek**

**COMMERCIAL LIGHTING DIVISION**

DIVISION OF  LITHONIA LIGHTING

P.O. BOX 195 • VERMILION, OHIO 44089 • 216/967-3131

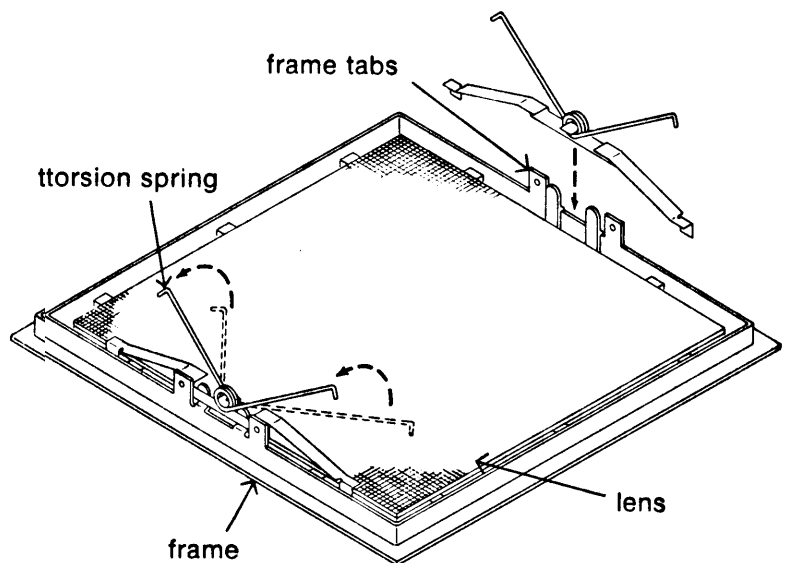
CJ52077  
CCN2945

# INSTRUCTION SHEET

## 11" RECESSED SQUARE

CAST FRONT

1. Place lens in frame and slide edge under spring clip.
2. Install second spring clip by gently bending clip and sliding it between tabs on frame until secured in the two holes on tabs.
3. To bring torsion springs to the vertical position: take hold of both ends of torsion spring and force up. Torsion spring will snap into place.
4. Attach front to housing by inserting torsion springs into slots provided on housing.
5. Push up to close.



**Initek**

**COMMERCIAL LIGHTING DIVISION**

DIVISION OF  LITHONIA LIGHTING

P.O. BOX 195 • VERMILION, OHIO 44089 • 216/967-3131

CJ52077  
CCN2945