



Gotham Architectural Downlighting  
Compact Fluorescent Downlights

**8" AF**  
**Open Reflector**

Horizontal Lamp  
Triple-Tube



FEATURES

**OPTICAL SYSTEM**

- Self-flanged, semi-specular or matte-diffuse reflector. Patented Bounding Ray™ Optical Principle design (U.S. Patent No. 5,800,050). Minimum flange matches reflector finish.
- Baffle/Cone: Semi-specular clear upper reflector. Microgroove baffle with white painted flange or specular black cone with flange that matches cone finish.

**MECHANICAL SYSTEM**

- 16-gauge galvanized steel construction; maximum 1-1/2" ceiling thickness.
- Telescopic mounting bars maximum of 32" and minimum of 15", preinstalled, 4" vertical adjustment.
- Toolless post-installation adjustments.
- Junction box capacity: 8 (4 in, 4 out) 12AWG rated for 90°C.
- Trim retention: one-lamp with friction clips, two-lamp with yoke.

**ELECTRICAL SYSTEM**

- Horizontally mounted, positive-latch, thermoplastic socket.
- Class P, thermally protected, high-power-factor electronic ballast mounted to the junction box.

**LISTING**

- Fixtures are UL Listed for thru-branch wiring, non-IC recessed mounting and damp locations. Listed and labeled to comply with Canadian standards.

**WARRANTY**

- 1-year limited warranty. Complete warranty terms located at: [www.acuitybrands.com/support/customer-support/terms-and-conditions](http://www.acuitybrands.com/support/customer-support/terms-and-conditions)

ORDERING INFORMATION

**EXAMPLE: AF 2/32TRT 8AR MVOLT**

Series	Wattage/Lamp	Aperture/Trim color	Finish	Lens type	Voltage	Ballast <sup>3</sup>
AF	1/13TRT 2/13TRT	8AR Clear	(blank) Semi-specular	(blank) No lens	MVOLT <sup>2</sup>	(blank) Electronic ballast
	1/18TRT 2/18TRT	8PR Pewter	LD Matte-diffuse	CGL Clear glass lens	120	ECOS <sup>2,4,5</sup> Lutron® EcoSystem® electronic dimming ballast. Minimum dimming level 5%
	1/26TRT 2/26TRT	8WTR Wheat		PCL Clear polycarbonate lens	277	ADEZ <sup>4,6</sup> Advance Mark 10® electronic dimming ballast. Minimum dimming level 5%
	1/32TRT 2/32TRT	8WR <sup>1</sup> White painted		PPC Prismatic polycarbonate lens	347	ADZT <sup>2</sup> Advance Mark 7® electronic dimming ballast. Minimum dimming level 5%
	1/42TRT 2/42TRT	8MB <sup>1</sup> Black baffle		FOL Flat opal lens		
	1/57TRT	8WB <sup>1</sup> White baffle				
			8BC <sup>1</sup> Black cone			

Options

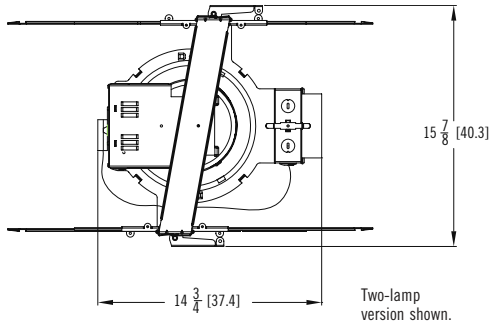
EL <sup>7</sup>	Emergency battery pack with integral test switch	RRL <sup>8</sup>	RELOC®-ready luminaire. Provides compatibility with Lithonia RELOC system. Access above ceiling required.
ELR <sup>7</sup>	Emergency battery pack with remote test switch	CP <sup>9</sup>	Chicago plenum
ELHL <sup>7</sup>	High-lumen-output emergency battery pack with integral test switch	BDP <sup>9,10</sup>	Ballast disconnect plug
ELRHL <sup>7</sup>	High-lumen-output emergency battery pack with remote test switch	NPP16D EFP	nLight network power/relay pack with 0-10V dimming.
GMF <sup>6</sup>	Single, slow-blow fuse	NPP16D ER EFP	nLight network power/relay pack with 0-10V dimming. ER controls fixtures on emergency circuit.
GLR <sup>6</sup>	Single, fast-blow fuse	WL	Wet location; lens required
TRW	White painted flange (standard on MB and WB)	WRL <sup>11</sup>	Wattage restriction label
TRBL	Black painted flange	TWS	Twist lock socket
WLP	With 3500 K lamp (shipped separately)	CTA860	Ceiling thickness adaptor. 1-lamp only; not available with 57W
DS	Dual switching		

ACCESSORIES order as separate catalog numbers (shipped separately)

SCA8 Sloped ceiling adaptor. Degree of slope must be specified (10D, 15D, 20D, 25D, 30D). Ex: SCA8 10D.

DIMENSIONAL DATA

All dimensions are inches (centimeters) unless otherwise noted.



ELECTRICAL

ENERGY (Calculated in accordance with NEMA standard LE-5A)					
LER.DOL	Annual* Energy Cost	Lamps	Lamp Lumens	Ballast Factor	Input Watts
44	\$5.44	(1) 32W TRT	2400	0.98	36
47	\$5.08	(1) 42W TRT	3200	1.00	46
40	\$5.93	(2) 32W TRT	4800	0.96	69
41	\$5.92	(2) 42W TRT	6400	0.95	94

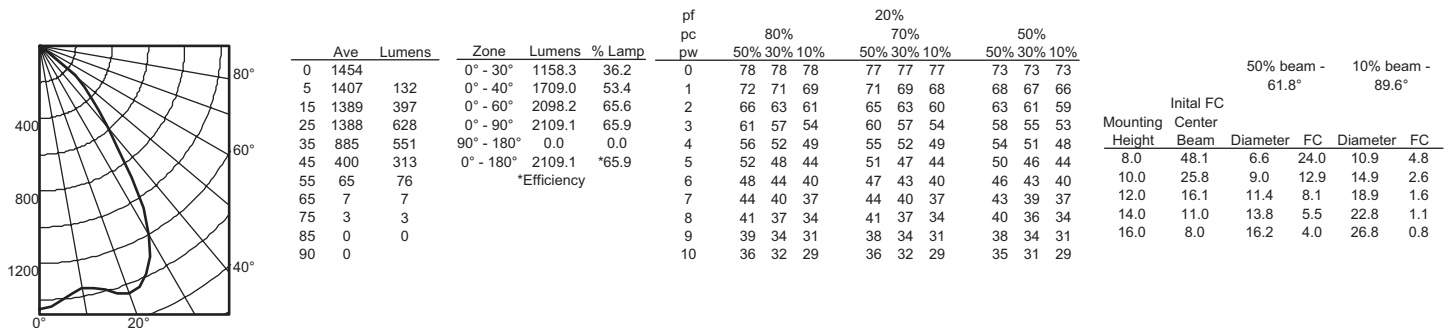
\*Comparative yearly lighting energy cost per 1000 lumens

NOTES

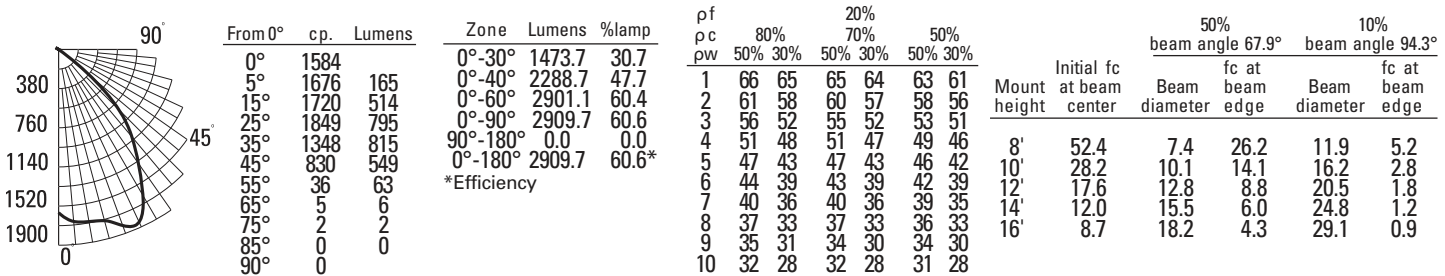
ORDERING NOTES	
1. Not available with finishes.	8. For compatible RELOC systems, refer to <a href="#">TECH-110</a> .
2. Multi-volt electronic ballast capable of operating on any voltage from 120V through 277V, 50 or 60 Hz.	9. Not available with emergency options.
3. For additional ballast types, refer to <a href="#">TECH-250</a> .	10. Meets codes that require in-fixture disconnect.
4. Not available with 13W or 57W.	11. Must specify wattage. Ex.: WRL32
5. 2/242TRT Option only available with DS (Dual Switching) option.	
6. Available in 120V or 277V only.	
7. For dimensional changes, refer to <a href="#">TECH-140</a> .	

Distribution Curve    Distribution Data    Output Data    Coefficient of Utilization    Illuminance: Single Luminaire 30" Above Floor

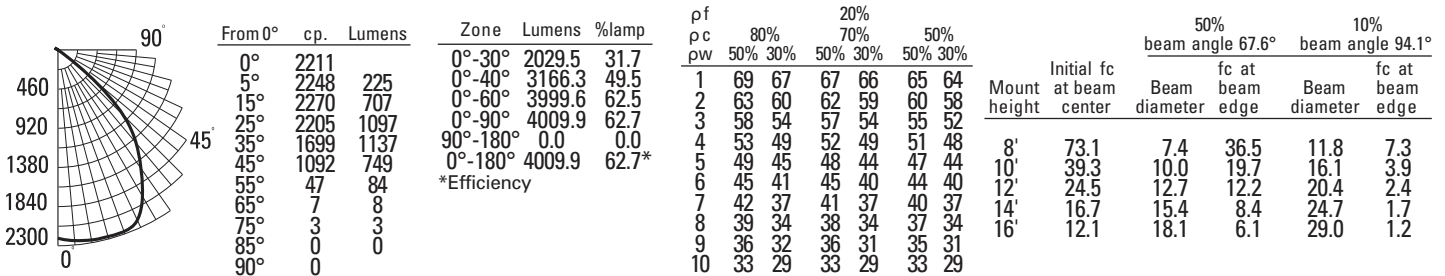
**AF 1/42TRT 8AR**    (1) CF42TRT, 3200 LUMENS PER LAMP, 1.2 S/MH, TEST NO. LTL20396



**AF 2/32TRT 8AR**    (2) CF32DT/E/IN/835, 2400 LUMENS PER LAMP, 1.4 S/MH, TEST NO. LTL9407



**AF 2/42TRT 8AR**    (2) CF42DT/E/IN/835, 3200 LUMENS PER LAMP, 1.4 S/MH, TEST NO. LTL9406



**PHOTOMETRY NOTES**

- Tested to current IES and NEMA standards under stabilized laboratory conditions.
- Actual performance may differ as a result of end-user environment and application.
- Consult factory or IES file for microgroove baffle, black cone or other photometric reports.