

FEATURES

OPTICAL SYSTEM

- Internal housing components painted matte black. Lamp snoot minimizes stray light in housing.
- Slotted aperture minimizes light loss at high aiming angles.
- Seamless cast faceplate is retained by self-aligning, butterfly support springs.
- Tool-less, 0°-45° vertical adjustment and 355° horizontal adjustment.
- Adjustment mechanism is lockable to maintain aiming after relamping.
- Position indicators allow consistent aiming from fixture to fixture.

MECHANICAL SYSTEM

- Black painted housing features tool-less top access and accommodates a maximum 1-1/2" ceiling thickness.
- Tool-less re-lamp capability from above or below ceiling.
- 16-gauge galvanized steel mounting bars with continuous 4" vertical adjustment are shipped pre-installed. Post installation adjustment possible without the use of tools from above or below the ceiling.
- Secondary housing adjustment system for precise, final flange to ceiling alignment.
- Galvanized steel junction box with hinged access covers and spring latch. Three combination 1/2"-3/4" knockouts and two 1/2" knockouts for straight-through conduit runs. Capacity: 8 (4in, 4 out) No. 12 AWG conductors rated for 90°C.

ELECTRICAL SYSTEM

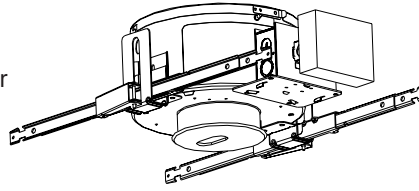
- Tool-less access door provides access to junction box through the aperture.
- Replaceable socket assembly. GX10 socket assembly standard (20W - 39W).
- Electronic ballast module is standard and can be serviced from above or below ceiling. Servicing from below requires removal of housing wrap and 6" of clearance above housing.
- Thermally-activated insulation detector.

LISTING

- Fixtures are UL listed for thru-branch wiring, Non-IC recessed mounting and damp locations. Listed and labeled to comply with Canadian Standards.

Type

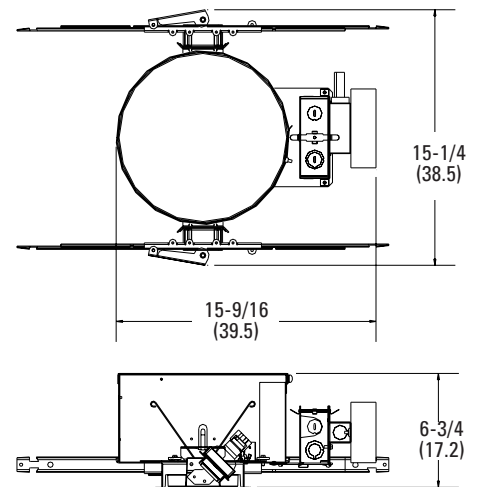
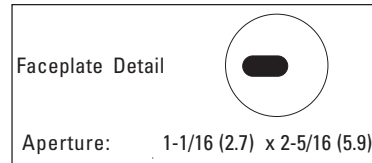
Catalog number



HID Downlights 1" DMRH

Slotted Adjustable

Seamless Cast Faceplate
MR16 Ceramic Metal Halide Lamp



All dimensions are inches (centimeters)

Ceiling opening: 4-7/8 (12.4)
Overlap trim: 5-7/16 (13.8)

ORDERING INFORMATION

Choose the boldface catalog nomenclature that best suits your needs and write it on the appropriate line. Order accessories as separate catalog numbers (shipped separately).

Example: **DMRH ADJ MR16 20MHC 1S 120 DWHG**

DMRH		ADJ		1S		Options	
Series	Configuration	Lamp designation		Lamp Wattage	Cone/Color	Voltage	
DMRH	ADJ	MR16	MR16 capability	20MHC 39MHC	1S Slotted	120 277 347	SF Single Fuse LRC¹ Provides compatibility with Lithonia Reloc System. Access above ceiling required CP Chicago Plenum approved LPFL Lamped, Flood LPSP Lamped, Spot LPWFL Lamped, Wide Flood
							Architectural Colors (powder finish) ² DWHG Matte white (standard) DDB Dark bronze DBL Black DWH Gloss white DMB Medium bronze DNA Natural aluminum DSS Sandstone DGC Charcoal gray DTG Tennis green DBR Bright red DSB Steel blue

Accessories

- For lens accessories, refer to Technical Bulletins tab.
- For lamp options, refer to Technical Bulletins tab.

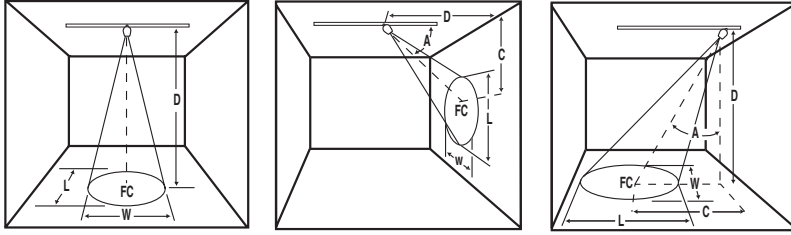
NOTES

- 1 For compatible Reloc systems, refer to Technical Bulletins tab.
- 2 Colors available for faceplate. Additional architectural colors available; please see brochure 794.3.

1" DMRH Slotted Adjustable

LAMP PERFORMANCE DATA

The lighting performance data charts shown provide lighting levels (footcandles), beam pattern (in feet), rated lamp life (hours).



	Rated Life (hrs.)	Beam Spread (50% CBCP)	0° Aiming Angle					20° Aiming Angle					30° Aiming Angle					40° Aiming Angle				
			D	FC	W	L	C	D	FC	W	L	C	D	FC	W	L	C	D	FC	W	L	C
CMH20MR16/830/FL	12000	25	4	181	1.8	1.8	N/A	4	150	1.9	2.0	1.5	2	471	1.0	1.2	1.2	2	326	1.2	1.6	1.7
			6	81	2.7	2.7	N/A	6	67	2.8	3.0	2.2	4	118	2.0	2.4	2.3	3	145	1.7	2.3	2.5
			8	45	3.5	3.5	N/A	8	38	3.8	4.0	2.9	6	52	3.1	3.6	3.5	4	81	2.3	3.1	3.4
CMH20MR16/830/SP	12000	12	6	250	1.3	1.3	N/A	6	207	1.3	1.4	2.2	4	365	1.0	1.1	2.3	4	253	1.1	0.9	3.4
			10	90	2.1	2.1	N/A	10	75	2.2	2.4	3.6	8	91	1.9	2.3	4.6	6	112	1.6	2.2	5.0
			14	46	2.9	2.9	N/A	14	38	3.1	3.3	5.1	12	41	2.9	3.4	6.9	8	63	2.2	2.9	6.7
CMH20MR16/830/WFL	12000	40	4	94	2.9	2.9	N/A	4	78	3.1	3.4	1.5	2	244	1.7	2.0	1.2	2	169	1.9	2.5	1.7
			6	42	4.4	4.4	N/A	6	35	4.6	5.0	2.2	4	61	3.4	4.1	2.3	3	75	2.9	4.1	2.5
			8	23	5.8	5.8	N/A	8	19	6.2	6.7	2.9	6	27	5.0	6.1	3.5	4	42	3.8	5.5	3.4
CMH39MR16/930/FL	10000	25	8	86	3.5	3.5	N/A	6	127	2.8	3.0	2.2	4	223	2.0	2.4	2.3	4	155	2.3	2.7	3.4
			12	38	5.3	5.3	N/A	10	46	4.7	5.1	3.6	8	56	4.1	4.8	4.6	6	69	3.5	4.7	5.0
			16	21	7.1	7.1	N/A	14	23	6.6	7.1	5.1	12	25	6.1	7.2	6.9	8	39	4.6	6.3	6.7
CMH39MR16/930/SP	10000	12	4	1000	0.8	0.8	N/A	4	830	0.9	1.0	1.5	8	162	1.9	2.3	4.6	6	200	1.6	1.4	5.0
			6	444	1.3	1.3	N/A	6	369	1.3	1.4	2.2	12	72	2.9	3.4	6.9	10	72	2.7	3.6	8.4
			8	250	1.7	1.7	N/A	8	207	1.8	1.9	2.9	16	41	3.9	4.5	9.2	14	37	3.8	5.1	11.7
CMH39MR16/930/WFL	10000	40	4	188	2.9	2.9	N/A	4	156	3.1	3.4	1.5	2	487	1.7	2.0	1.2	2	337	1.9	2.5	1.7
			6	83	4.4	4.4	N/A	6	69	4.6	5.0	2.2	4	122	3.4	4.1	2.3	3	150	2.9	4.1	2.5
			8	47	5.8	5.8	N/A	8	39	6.2	6.7	2.9	6	54	5.0	6.1	3.5	4	84	3.8	5.5	3.4

NOTES:

- 1 For electrical characteristics refer to the Technical Bulletins tab.
- 2 Tested to current IES and NEMA standards under stabilized laboratory conditions. Various operating factors can cause differences between laboratory data and actual field measurements. Dimensions and specifications are based on the most current available data and are subject to change without notice.

AHID-410

©2008 Gotham, Rev. 4/09
AHID-410

gotham
An Acuity Brands Company

GOTHAM ARCHITECTURAL DOWNLIGHTING
A DIVISION OF ACUITY LIGHTING GROUP, INC.
1400 Lester Road Conyers Georgia 30012
P 800 315 4982 F 770 860 3129
www.gothamlighting.com