

FEATURES

OPTICAL SYSTEM

- Self-flanged, matte-diffuse high impact polymer finishing trim with a durable, proprietary vapor deposition finish.
- Patented Bounding Ray™ Optical Principle design (U.S. Patent No. 5,800,050) provides lamp before lamp image and smooth transition from top of the reflector to bottom.
- One piece trim eliminates mitered flange corners and inside corner gaps.
- Lamp snoot minimizes stray light in housing and accommodates up to two lenses.
- Relamping capability from above or below ceiling.

MECHANICAL SYSTEM

- Rolled steel housing with matte black finish and 16-gauge painted steel mounting/plaster frame accommodates up to 1-1/2" thick ceiling materials.
- Patent-pending adjustable aperture allows 1/4" adjustments in all directions and up to 5° of rotation allowing post-installation adjustments to ensure trim to trim alignment.
- 16-gauge galvanized steel mounting bars with continuous 4" vertical adjustments are shipped pre-installed.
- Post-installation adjustment possible without the use of tools from above or below ceiling.
- Secondary housing adjustment system for precise, final ceiling to flange alignment.

ELECTRICAL SYSTEM

- Socket assembly, electronic stepdown transformer and thermally activated insulation detector provided with easy tool-less removal.

LISTING

- Fixtures are UL listed for thru-branch wiring, Non-IC recessed mounting and damp locations. Listed and labeled to comply with Canadian Standards.

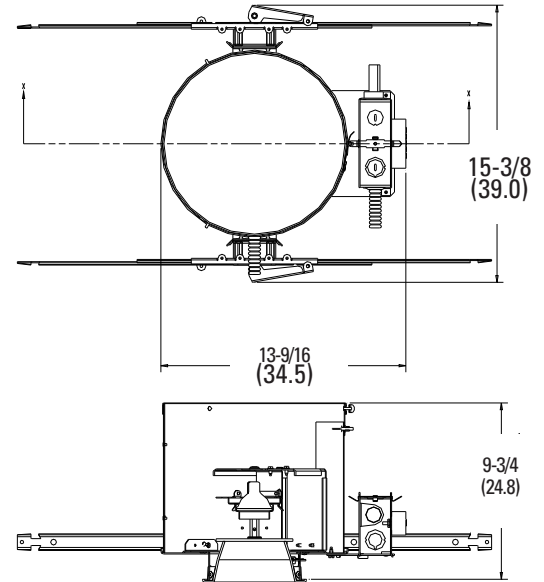
Type

Catalog number



Low Voltage Downlights 4" SQDLV

Vertical Lamp
MR16



All dimensions are inches (centimeters)

Ceiling opening: 5-1/8 (13.0)
Overlap trim: 5-3/4 (14.6)
Aperture opening: 4-3/8 (11.1)

ORDERING INFORMATION

Choose the boldface catalog nomenclature that best suits your needs and write it on the appropriate line. Order accessories as separate catalog numbers (shipped separately).

Example: **SQDLV DWN MR16 4AR LD 120**

Series	Configuration	Lamp Type	Aperture/Trim	Finish	Voltage	Options
SQDLV	DWN	MR16	4AR Clear 4DSR Stepped 4PR Pewter 4WTR Wheat 4WR¹ White 4BR¹ Black 4PDSR Pewter stepped 4WDSR Wheat stepped	(blank) Semi-specular ² LD Matte-diffuse	120 277³ 347	SF Single Fuse LRC⁴ Provides compatibility with Lithonia Reloc System. Access above ceiling required CP Chicago Plenum approved TRW White flange MFLG⁵ Microflange trim SQMT⁶ Square metal trim

NOTES

- 1 Not available with matte-diffuse finish.
- 2 Available with WR and BR trim colors and SQMT metal trim option.
- 3 Not available with dimming.
- 4 For compatible Reloc systems, refer to TECH-110.
- 5 MFLG standard with high impact polymer trim; must specify SQMT option for metal microflange trim.
- 6 Not available with stepped trims.

Accessories

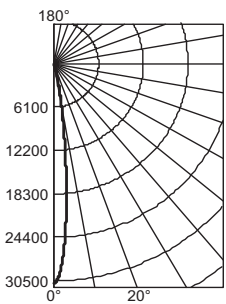
Order as separate catalog numbers.

- For lens accessories, refer to Technical Bulletins tab.
- For lamp options, refer to Technical Bulletins tab.

4" SQDLV DWN Vertical lamp

Distribution curve Distribution data Output data Coefficient of utilization Single luminaire data 30" above floor

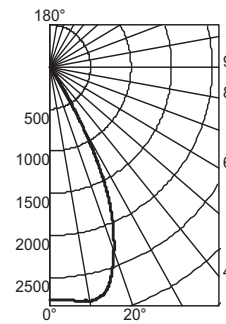
SQDLV DWN MR16 4AR LD, 65MR16Q/10/NSP/B lamp, 0.2 s/mh, 3000 rated Lumens, Test No. 17938



Ave	Lumens	Zone	Lumens	% Lamp	pf	pc	80%			70%			50%		
							pw	50%	30%	10%	50%	30%	10%	50%	30%
0°	30812	0° - 30°	2034	67.8	0	82	82	82	80	80	80	77	77	77	
5°	19597	0° - 40°	2054	68.5	1	79	78	77	77	76	75	75	74	73	
15°	1663	0° - 60°	2065	68.8	2	76	74	73	75	73	72	73	72	71	
25°	201	0° - 90°	2069	69.0	3	74	72	70	73	71	70	71	70	69	
35°	20	90° - 180°	0	0.0	4	72	70	68	71	69	68	70	68	67	
45°	7	0° - 180°	2069	69.0	5	70	68	66	70	68	66	69	67	66	
55°	2				6	69	67	65	68	66	65	68	66	65	
65°	5				7	68	65	64	67	65	64	67	65	63	
75°	2				8	66	64	63	66	64	63	66	64	63	
85°	2				9	65	63	62	65	63	62	65	63	62	
90°	0				10	65	63	61	64	62	61	64	62	61	

Mounting Height	Initial Center Beam	50% beam		10% beam	
		Diameter	FC	Diameter	FC
8.0	1018.6	1.2	509.4	2.4	102.0
10.0	547.8	1.6	274.0	3.2	54.8
12.0	341.4	2.0	170.8	4.1	34.2
14.0	233.0	2.5	116.5	5.0	23.3
16.0	169.1	2.9	84.6	5.8	16.9

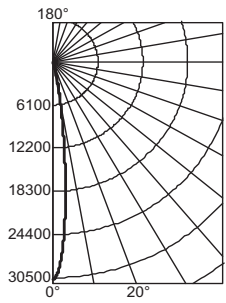
SQDLV DWN MR16 4AR LD 71W FL, Q71MR16/C/FL40 lamp, 0.9 s/mh, 3000 rated Lumens, Test No. 17939



Ave	Lumens	Zone	Lumens	% Lamp	pf	pc	80%			70%			50%		
							pw	50%	30%	10%	50%	30%	10%	50%	30%
0°	2762	0° - 30°	1753	58.4	0	75	75	75	74	74	74	70	70	70	
5°	2776	0° - 40°	1879	62.6	1	71	69	68	69	68	67	67	66	65	
15°	2725	0° - 60°	1892	63.1	2	67	64	62	66	64	62	64	62	60	
25°	1707	0° - 90°	1901	63.4	3	63	60	58	62	60	58	60	58	57	
35°	112	90° - 180°	0	0.0	4	60	57	54	59	56	54	58	55	53	
45°	9	0° - 180°	1901	63.4	5	57	53	51	56	53	51	55	52	50	
55°	7				6	54	50	48	53	50	48	52	50	48	
65°	6				7	51	48	46	51	48	45	50	47	45	
75°	3				8	49	45	43	48	45	43	48	45	43	
85°	0				9	47	43	41	46	43	41	46	43	41	
90°	0				10	45	41	39	44	41	39	44	41	39	

Mounting Height	Initial Center Beam	50% beam		10% beam	
		Diameter	FC	Diameter	FC
8.0	91.3	4.9	45.6	6.8	9.1
10.0	49.1	6.7	24.5	9.3	4.9
12.0	30.6	8.5	15.3	11.8	3.1
14.0	20.9	10.3	10.4	14.3	2.1
16.0	15.2	12.1	7.6	16.8	1.5

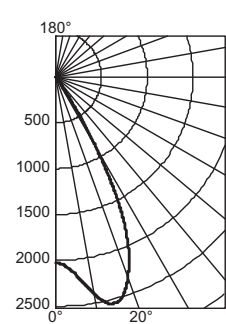
SQDLV DWN MR16 4DSR LD 65W NSP, 65MR16Q/10/NSP/B lamp, 0.2 s/mh, 3000 rated Lumens, Test No. 17941



Ave	Lumens	Zone	Lumens	% Lamp	pf	pc	80%			70%			50%		
							pw	50%	30%	10%	50%	30%	10%	50%	30%
0°	30672	0° - 30°	2021	67.4	0	83	83	83	81	81	81	77	77	77	
5°	19482	0° - 40°	2044	68.1	1	79	78	77	78	77	76	75	74	74	
15°	1636	0° - 60°	2071	69.0	2	76	75	73	75	74	72	73	72	71	
25°	206	0° - 90°	2092	69.7	3	74	72	70	73	71	70	71	70	69	
35°	28	90° - 180°	0	0.0	4	72	70	68	71	69	68	70	68	67	
45°	24	0° - 180°	2092	69.7	5	70	68	66	70	68	66	69	67	65	
55°	21				6	69	67	65	68	66	65	67	66	64	
65°	4				7	67	65	64	67	65	64	66	65	63	
75°	9				8	66	64	63	66	64	63	65	64	62	
85°	4				9	65	63	62	65	63	62	65	63	61	
90°	1				10	64	62	61	64	62	61	64	62	61	

Mounting Height	Initial Center Beam	50% beam		10% beam	
		Diameter	FC	Diameter	FC
8.0	1014.0	1.2	506.9	2.4	101.4
10.0	545.3	1.6	272.6	3.2	54.5
12.0	339.9	2.0	169.9	4.1	34.0
14.0	231.9	2.5	115.9	5.0	23.2
16.0	168.3	2.9	84.1	5.8	16.8

SQDLV DWN MR16 4DSR LD 71W FL, Q71MR16/C/FL40 lamp, 1.0 s/mh, 3000 rated Lumens, Test No. 17936



Ave	Lumens	Zone	Lumens	% Lamp	pf	pc	80%			70%			50%		
							pw	50%	30%	10%	50%	30%	10%	50%	30%
0°	2029	0° - 30°	1686	56.2	0	75	75	75	73	73	73	70	70	70	
5°	2129	0° - 40°	1841	61.4	1	70	68	67	69	67	66	66	65	64	
15°	2545	0° - 60°	1868	62.3	2	66	63	61	65	62	61	63	61	59	
25°	1789	0° - 90°	1883	62.8	3	62	59	57	61	58	56	59	57	55	
35°	156	90° - 180°	0	0.0	4	58	55	53	58	55	52	56	54	52	
45°	20	0° - 180°	1883	62.8	5	55	52	49	55	51	49	53	51	49	
55°	11				6	52	49	46	52	49	46	51	48	46	
65°	7				7	50	46	44	49	46	44	48	45	43	
75°	6				8	47	44	41	47	43	41	46	43	41	
85°	2				9	45	41	39	44	41	39	44	41	39	
90°	1				10	43	39	37	42	39	37	42	39	37	

Mounting Height	Initial Center Beam	50% beam		10% beam	
		Diameter	FC	Diameter	FC
8.0	67.1	5.6	33.6	7.1	6.7
10.0	36.1	7.7	18.0	9.7	3.6
12.0	22.5	9.7	11.2	12.3	2.2
14.0	15.3	11.8	7.7	14.9	1.5
16.0	11.1	13.8	5.6	17.5	1.1

NOTES:

- For electrical characteristics consult Technical Bulletins tab.
- Tested to current IES and NEMA standards under stabilized laboratory conditions. Various operating factors can cause differences between laboratory data and actual field measurements. Dimensions and specifications are based on the most current available data and are subject to change without notice.

ALV-290

©2009-2012 Acuity Brands Lighting, Inc.
 All Rights Reserved. Rev 03/06/12
 Specifications subject to change without notice.



GOTHAM ARCHITECTURAL DOWNLIGHTING
 1400 Lester Road Conyers Georgia 30012
 P 800 315 4982 F 770 860 3129
 www.gothamlighting.com