

# FEATURES

## OPTICAL SYSTEM

- Self-flanged, matte-diffuse high impact polymer finishing trim with a durable, proprietary vapor deposition finish.
- Patented Bounding Ray™ Optical Principle design (U.S. Patent No. 5,800,050) provides lamp before lamp image and smooth transition from top of the reflector to bottom.
- One piece trim eliminates mitered flange corners and inside corner gaps.
- Indirect wallwash design along with proprietary Gotham spread lens delivers a uniform distribution of light to the wall.
- Relamping capability from above or below ceiling.

## MECHANICAL SYSTEM

- Rolled steel housing with matte black finish and 16-gauge painted steel mounting/plaster frame accommodates up to 1-1/2" thick ceiling materials.
- Patent-pending adjustable aperture allows 1/4" adjustments in all directions and up to 5° of rotation allowing post-installation adjustments to ensure trim to trim alignment.
- 16-gauge galvanized steel mounting bars with continuous 4" vertical adjustments are shipped pre-installed.
- Post-installation adjustment possible without the use of tools from above or below ceiling.
- Secondary housing adjustment system for precise, final ceiling to flange alignment.

## ELECTRICAL SYSTEM

- Socket assembly, electronic stepdown transformer and thermally activated insulation detector provided with easy tool-less removal.

## LISTING

- Fixtures are UL listed for thru-branch wiring, Non-IC recessed mounting and damp locations. Listed and labeled to comply with Canadian Standards.

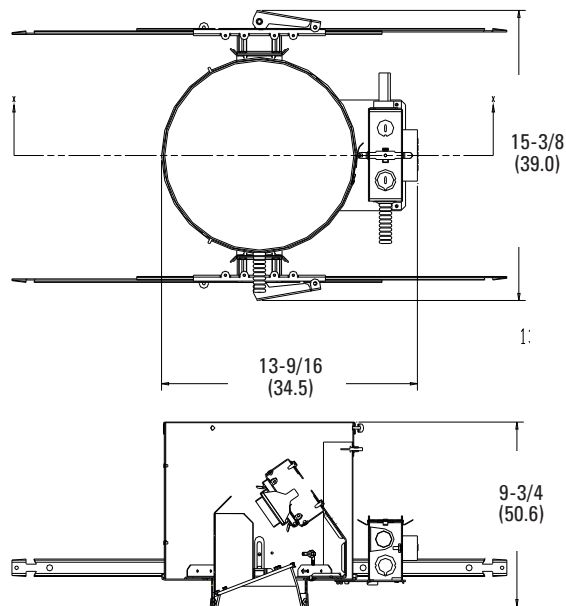
Type

Catalog number



# Low Voltage Accent 4" SQDLV

Lensed Wallwash  
MR16



All dimensions are inches (centimeters)

Ceiling opening: 5-1/8 (13.0)  
Overlap trim: 5-3/4 (14.6)  
Aperture opening: 4-3/8 (11.1)

# ORDERING INFORMATION

Choose the boldface catalog nomenclature that best suits your needs and write it on the appropriate line. Order accessories as separate catalog numbers (shipped separately).

Example: **SQDLV WSH MR16 4AR LD 120**

Series	Configuration	Lamp Type	Aperture/Trim	Finish	Voltage	Options
<b>SQDLV</b>	<b>WSH</b>	<b>MR16</b>	<b>4AR</b> Clear <b>4DSR</b> Stepped <b>4PR</b> Pewter <b>4WTR</b> Wheat <b>4WR<sup>1</sup></b> White <b>4BR<sup>1</sup></b> Black <b>4PDSR</b> Pewter stepped <b>4WDSR</b> Wheat stepped	<b>(blank)</b> Semi-specular <sup>2</sup> <b>LD</b> Matte-diffuse	<b>120</b> <b>277<sup>3</sup></b> <b>347</b>	<b>SF</b> Single Fuse <b>LRC<sup>4</sup></b> Provides compatibility with Lithonia Reloc System. Access above ceiling required <b>CP</b> Chicago Plenum approved <b>TRW</b> White flange <b>MFLG</b> Microflange trim <b>SQMT<sup>5</sup></b> Square metal trim

## NOTES

- 1 Not available with matte-diffuse finish.
- 2 Available with WR and BR trim colors and SQMT metal trim option.
- 3 Not available with dimming.
- 4 For compatible Reloc systems, refer to TECH-110.
- 5 Not available with stepped trims or MFLG option.

## Accessories

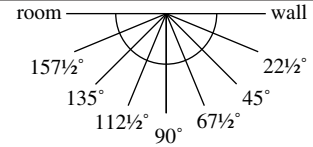
Order as separate catalog numbers.

- For lens accessories, refer to Technical Bulletins tab.
- For lamp options, refer to Technical Bulletins tab.

# 4" SQDLV WSH Square Lensed Wallwash

## TECHNICAL INFORMATION

Footcandle values are initial and tables are based on minimum of six units. For fixture-to-wall distance other than those shown, use maximum of one- to-one spacing (distance between fixtures not more than distance to wall) for best results.



Fixture/lamp	Candlepower data	Footcandle values																																																																																																																																																																																																																																																																												
<b>SQDLVWSH65W4ARLD</b> 65MR16Q/10/NSP lamp 3000 rated lumens Test No. LTL17935	<table border="1"> <thead> <tr> <th rowspan="2">Vertical Angle</th> <th colspan="7">Plane angle</th> </tr> <tr> <th>Wall 22.5</th> <th>45</th> <th>67.5</th> <th>90</th> <th>112.5</th> <th>135</th> <th>157.5</th> </tr> </thead> <tbody> <tr><td>0</td><td>67</td><td>67</td><td>67</td><td>67</td><td>67</td><td>67</td><td>67</td></tr> <tr><td>5</td><td>80</td><td>78</td><td>73</td><td>69</td><td>68</td><td>67</td><td>68</td></tr> <tr><td>15</td><td>173</td><td>159</td><td>123</td><td>81</td><td>65</td><td>69</td><td>77</td></tr> <tr><td>25</td><td>282</td><td>256</td><td>184</td><td>101</td><td>56</td><td>61</td><td>93</td></tr> <tr><td>35</td><td>383</td><td>342</td><td>215</td><td>102</td><td>51</td><td>41</td><td>87</td></tr> <tr><td>45</td><td>425</td><td>366</td><td>167</td><td>72</td><td>39</td><td>27</td><td>54</td></tr> <tr><td>55</td><td>236</td><td>225</td><td>78</td><td>37</td><td>21</td><td>13</td><td>24</td></tr> <tr><td>65</td><td>45</td><td>47</td><td>24</td><td>13</td><td>7</td><td>4</td><td>8</td></tr> <tr><td>75</td><td>5</td><td>5</td><td>4</td><td>2</td><td>2</td><td>2</td><td>3</td></tr> <tr><td>85</td><td>0</td><td>1</td><td>1</td><td>1</td><td>1</td><td>1</td><td>1</td></tr> <tr><td>90</td><td>0</td><td>1</td><td>1</td><td>1</td><td>1</td><td>1</td><td>1</td></tr> </tbody> </table>	Vertical Angle	Plane angle							Wall 22.5	45	67.5	90	112.5	135	157.5	0	67	67	67	67	67	67	67	5	80	78	73	69	68	67	68	15	173	159	123	81	65	69	77	25	282	256	184	101	56	61	93	35	383	342	215	102	51	41	87	45	425	366	167	72	39	27	54	55	236	225	78	37	21	13	24	65	45	47	24	13	7	4	8	75	5	5	4	2	2	2	3	85	0	1	1	1	1	1	1	90	0	1	1	1	1	1	1	<table border="1"> <thead> <tr> <th rowspan="2">ft. from ceiling</th> <th colspan="9">Wallwash Illuminance Study (fc)</th> </tr> <tr> <th colspan="3">Illuminance on wall from 6 luminaires</th> <th colspan="3">Luminaire mounted 3 ft. from wall</th> <th colspan="3">Luminaire mounted 3 ft. from wall 4 ft. between luminaires</th> <th colspan="3">Luminaire mounted 3 ft. from wall 5 ft. between luminaires</th> </tr> <tr> <th></th> <th>3</th> <th>3.5</th> <th>4</th> <th>3</th> <th>3.5</th> <th>4</th> <th>3</th> <th>3.5</th> <th>4</th> <th>3</th> <th>3.5</th> <th>4</th> </tr> </thead> <tbody> <tr><td>1</td><td>1</td><td>1</td><td>1</td><td>1</td><td>1</td><td>1</td><td>1</td><td>1</td><td>1</td><td>1</td><td>1</td><td>1</td></tr> <tr><td>2</td><td>14</td><td>12</td><td>14</td><td>13</td><td>6</td><td>13</td><td>13</td><td>3</td><td>13</td><td>13</td><td>3</td><td>13</td></tr> <tr><td>3</td><td>20</td><td>21</td><td>20</td><td>18</td><td>13</td><td>18</td><td>17</td><td>7</td><td>17</td><td>17</td><td>7</td><td>17</td></tr> <tr><td>4</td><td>15</td><td>16</td><td>15</td><td>12</td><td>11</td><td>12</td><td>10</td><td>8</td><td>10</td><td>10</td><td>8</td><td>10</td></tr> <tr><td>5</td><td>10</td><td>11</td><td>10</td><td>8</td><td>8</td><td>8</td><td>6</td><td>6</td><td>6</td><td>6</td><td>6</td><td>6</td></tr> <tr><td>6</td><td>7</td><td>7</td><td>7</td><td>5</td><td>5</td><td>5</td><td>4</td><td>4</td><td>4</td><td>4</td><td>4</td><td>4</td></tr> <tr><td>7</td><td>5</td><td>5</td><td>5</td><td>4</td><td>4</td><td>4</td><td>3</td><td>3</td><td>3</td><td>3</td><td>3</td><td>3</td></tr> <tr><td>8</td><td>3</td><td>3</td><td>3</td><td>3</td><td>3</td><td>3</td><td>2</td><td>2</td><td>2</td><td>2</td><td>2</td><td>2</td></tr> <tr><td>9</td><td>3</td><td>3</td><td>3</td><td>2</td><td>2</td><td>2</td><td>2</td><td>2</td><td>2</td><td>2</td><td>2</td><td>2</td></tr> <tr><td>10</td><td>2</td><td>2</td><td>2</td><td>1</td><td>1</td><td>1</td><td>1</td><td>1</td><td>1</td><td>1</td><td>1</td><td>1</td></tr> </tbody> </table>	ft. from ceiling	Wallwash Illuminance Study (fc)									Illuminance on wall from 6 luminaires			Luminaire mounted 3 ft. from wall			Luminaire mounted 3 ft. from wall 4 ft. between luminaires			Luminaire mounted 3 ft. from wall 5 ft. between luminaires				3	3.5	4	3	3.5	4	3	3.5	4	3	3.5	4	1	1	1	1	1	1	1	1	1	1	1	1	1	2	14	12	14	13	6	13	13	3	13	13	3	13	3	20	21	20	18	13	18	17	7	17	17	7	17	4	15	16	15	12	11	12	10	8	10	10	8	10	5	10	11	10	8	8	8	6	6	6	6	6	6	6	7	7	7	5	5	5	4	4	4	4	4	4	7	5	5	5	4	4	4	3	3	3	3	3	3	8	3	3	3	3	3	3	2	2	2	2	2	2	9	3	3	3	2	2	2	2	2	2	2	2	2	10	2	2	2	1	1	1	1	1	1	1	1	1
Vertical Angle	Plane angle																																																																																																																																																																																																																																																																													
	Wall 22.5	45	67.5	90	112.5	135	157.5																																																																																																																																																																																																																																																																							
0	67	67	67	67	67	67	67																																																																																																																																																																																																																																																																							
5	80	78	73	69	68	67	68																																																																																																																																																																																																																																																																							
15	173	159	123	81	65	69	77																																																																																																																																																																																																																																																																							
25	282	256	184	101	56	61	93																																																																																																																																																																																																																																																																							
35	383	342	215	102	51	41	87																																																																																																																																																																																																																																																																							
45	425	366	167	72	39	27	54																																																																																																																																																																																																																																																																							
55	236	225	78	37	21	13	24																																																																																																																																																																																																																																																																							
65	45	47	24	13	7	4	8																																																																																																																																																																																																																																																																							
75	5	5	4	2	2	2	3																																																																																																																																																																																																																																																																							
85	0	1	1	1	1	1	1																																																																																																																																																																																																																																																																							
90	0	1	1	1	1	1	1																																																																																																																																																																																																																																																																							
ft. from ceiling	Wallwash Illuminance Study (fc)																																																																																																																																																																																																																																																																													
	Illuminance on wall from 6 luminaires			Luminaire mounted 3 ft. from wall			Luminaire mounted 3 ft. from wall 4 ft. between luminaires			Luminaire mounted 3 ft. from wall 5 ft. between luminaires																																																																																																																																																																																																																																																																				
	3	3.5	4	3	3.5	4	3	3.5	4	3	3.5	4																																																																																																																																																																																																																																																																		
1	1	1	1	1	1	1	1	1	1	1	1	1																																																																																																																																																																																																																																																																		
2	14	12	14	13	6	13	13	3	13	13	3	13																																																																																																																																																																																																																																																																		
3	20	21	20	18	13	18	17	7	17	17	7	17																																																																																																																																																																																																																																																																		
4	15	16	15	12	11	12	10	8	10	10	8	10																																																																																																																																																																																																																																																																		
5	10	11	10	8	8	8	6	6	6	6	6	6																																																																																																																																																																																																																																																																		
6	7	7	7	5	5	5	4	4	4	4	4	4																																																																																																																																																																																																																																																																		
7	5	5	5	4	4	4	3	3	3	3	3	3																																																																																																																																																																																																																																																																		
8	3	3	3	3	3	3	2	2	2	2	2	2																																																																																																																																																																																																																																																																		
9	3	3	3	2	2	2	2	2	2	2	2	2																																																																																																																																																																																																																																																																		
10	2	2	2	1	1	1	1	1	1	1	1	1																																																																																																																																																																																																																																																																		

<b>SQDLVWSH71W4ARLD</b> Q71MR16/C/FL 40 lamp 3000 rated lumens Test No. LTL17940	<table border="1"> <thead> <tr> <th rowspan="2">Vertical Angle</th> <th colspan="7">Plane angle</th> </tr> <tr> <th>Wall 22.5</th> <th>45</th> <th>67.5</th> <th>90</th> <th>112.5</th> <th>135</th> <th>157.5</th> </tr> </thead> <tbody> <tr><td>0</td><td>121</td><td>121</td><td>121</td><td>121</td><td>121</td><td>121</td><td>121</td></tr> <tr><td>5</td><td>143</td><td>138</td><td>130</td><td>122</td><td>114</td><td>111</td><td>113</td></tr> <tr><td>15</td><td>184</td><td>173</td><td>150</td><td>119</td><td>92</td><td>97</td><td>165</td></tr> <tr><td>25</td><td>237</td><td>216</td><td>163</td><td>102</td><td>61</td><td>75</td><td>172</td></tr> <tr><td>35</td><td>303</td><td>270</td><td>179</td><td>98</td><td>52</td><td>46</td><td>108</td></tr> <tr><td>45</td><td>320</td><td>281</td><td>168</td><td>87</td><td>43</td><td>29</td><td>59</td></tr> <tr><td>55</td><td>214</td><td>199</td><td>119</td><td>56</td><td>25</td><td>14</td><td>32</td></tr> <tr><td>65</td><td>92</td><td>88</td><td>52</td><td>21</td><td>10</td><td>5</td><td>11</td></tr> <tr><td>75</td><td>19</td><td>17</td><td>10</td><td>3</td><td>2</td><td>2</td><td>2</td></tr> <tr><td>85</td><td>1</td><td>1</td><td>1</td><td>1</td><td>1</td><td>1</td><td>1</td></tr> <tr><td>90</td><td>0</td><td>0</td><td>0</td><td>0</td><td>0</td><td>0</td><td>0</td></tr> </tbody> </table>	Vertical Angle	Plane angle							Wall 22.5	45	67.5	90	112.5	135	157.5	0	121	121	121	121	121	121	121	5	143	138	130	122	114	111	113	15	184	173	150	119	92	97	165	25	237	216	163	102	61	75	172	35	303	270	179	98	52	46	108	45	320	281	168	87	43	29	59	55	214	199	119	56	25	14	32	65	92	88	52	21	10	5	11	75	19	17	10	3	2	2	2	85	1	1	1	1	1	1	1	90	0	0	0	0	0	0	0	<table border="1"> <thead> <tr> <th rowspan="2">ft. from ceiling</th> <th colspan="9">Wallwash Illuminance Study (fc)</th> </tr> <tr> <th colspan="3">Illuminance on wall from 6 luminaires</th> <th colspan="3">Luminaire mounted 3 ft. from wall</th> <th colspan="3">Luminaire mounted 3 ft. from wall 5 ft. between luminaires</th> </tr> <tr> <th></th> <th>3</th> <th>3.5</th> <th>4</th> <th>3</th> <th>3.5</th> <th>4</th> <th>3</th> <th>3.5</th> <th>4</th> </tr> </thead> <tbody> <tr><td>1</td><td>4</td><td>3</td><td>4</td><td>4</td><td>2</td><td>4</td><td>4</td><td>1</td><td>4</td></tr> <tr><td>2</td><td>16</td><td>14</td><td>16</td><td>14</td><td>8</td><td>14</td><td>13</td><td>5</td><td>13</td></tr> <tr><td>3</td><td>18</td><td>17</td><td>18</td><td>15</td><td>11</td><td>15</td><td>13</td><td>7</td><td>13</td></tr> <tr><td>4</td><td>13</td><td>13</td><td>13</td><td>10</td><td>9</td><td>10</td><td>9</td><td>7</td><td>9</td></tr> <tr><td>5</td><td>9</td><td>9</td><td>9</td><td>7</td><td>7</td><td>7</td><td>6</td><td>5</td><td>6</td></tr> <tr><td>6</td><td>6</td><td>6</td><td>6</td><td>5</td><td>5</td><td>5</td><td>4</td><td>4</td><td>4</td></tr> <tr><td>7</td><td>4</td><td>4</td><td>4</td><td>3</td><td>3</td><td>3</td><td>3</td><td>3</td><td>3</td></tr> <tr><td>8</td><td>3</td><td>3</td><td>3</td><td>2</td><td>2</td><td>2</td><td>2</td><td>2</td><td>2</td></tr> <tr><td>9</td><td>2</td><td>2</td><td>2</td><td>2</td><td>2</td><td>2</td><td>1</td><td>1</td><td>1</td></tr> <tr><td>10</td><td>2</td><td>2</td><td>2</td><td>1</td><td>1</td><td>1</td><td>1</td><td>1</td><td>1</td></tr> </tbody> </table>	ft. from ceiling	Wallwash Illuminance Study (fc)									Illuminance on wall from 6 luminaires			Luminaire mounted 3 ft. from wall			Luminaire mounted 3 ft. from wall 5 ft. between luminaires				3	3.5	4	3	3.5	4	3	3.5	4	1	4	3	4	4	2	4	4	1	4	2	16	14	16	14	8	14	13	5	13	3	18	17	18	15	11	15	13	7	13	4	13	13	13	10	9	10	9	7	9	5	9	9	9	7	7	7	6	5	6	6	6	6	6	5	5	5	4	4	4	7	4	4	4	3	3	3	3	3	3	8	3	3	3	2	2	2	2	2	2	9	2	2	2	2	2	2	1	1	1	10	2	2	2	1	1	1	1	1	1
Vertical Angle	Plane angle																																																																																																																																																																																																																																									
	Wall 22.5	45	67.5	90	112.5	135	157.5																																																																																																																																																																																																																																			
0	121	121	121	121	121	121	121																																																																																																																																																																																																																																			
5	143	138	130	122	114	111	113																																																																																																																																																																																																																																			
15	184	173	150	119	92	97	165																																																																																																																																																																																																																																			
25	237	216	163	102	61	75	172																																																																																																																																																																																																																																			
35	303	270	179	98	52	46	108																																																																																																																																																																																																																																			
45	320	281	168	87	43	29	59																																																																																																																																																																																																																																			
55	214	199	119	56	25	14	32																																																																																																																																																																																																																																			
65	92	88	52	21	10	5	11																																																																																																																																																																																																																																			
75	19	17	10	3	2	2	2																																																																																																																																																																																																																																			
85	1	1	1	1	1	1	1																																																																																																																																																																																																																																			
90	0	0	0	0	0	0	0																																																																																																																																																																																																																																			
ft. from ceiling	Wallwash Illuminance Study (fc)																																																																																																																																																																																																																																									
	Illuminance on wall from 6 luminaires			Luminaire mounted 3 ft. from wall			Luminaire mounted 3 ft. from wall 5 ft. between luminaires																																																																																																																																																																																																																																			
	3	3.5	4	3	3.5	4	3	3.5	4																																																																																																																																																																																																																																	
1	4	3	4	4	2	4	4	1	4																																																																																																																																																																																																																																	
2	16	14	16	14	8	14	13	5	13																																																																																																																																																																																																																																	
3	18	17	18	15	11	15	13	7	13																																																																																																																																																																																																																																	
4	13	13	13	10	9	10	9	7	9																																																																																																																																																																																																																																	
5	9	9	9	7	7	7	6	5	6																																																																																																																																																																																																																																	
6	6	6	6	5	5	5	4	4	4																																																																																																																																																																																																																																	
7	4	4	4	3	3	3	3	3	3																																																																																																																																																																																																																																	
8	3	3	3	2	2	2	2	2	2																																																																																																																																																																																																																																	
9	2	2	2	2	2	2	1	1	1																																																																																																																																																																																																																																	
10	2	2	2	1	1	1	1	1	1																																																																																																																																																																																																																																	

<b>SQDLVWSH65W4DSRLD</b> 65MR16Q/10/NSP lamp 3000 rated lumens Test No. LTL17942	<table border="1"> <thead> <tr> <th rowspan="2">Vertical Angle</th> <th colspan="7">Plane angle</th> </tr> <tr> <th>Wall 22.5</th> <th>45</th> <th>67.5</th> <th>90</th> <th>112.5</th> <th>135</th> <th>157.5</th> </tr> </thead> <tbody> <tr><td>0</td><td>54</td><td>54</td><td>54</td><td>54</td><td>54</td><td>54</td><td>54</td></tr> <tr><td>5</td><td>71</td><td>68</td><td>61</td><td>56</td><td>54</td><td>53</td><td>54</td></tr> <tr><td>15</td><td>169</td><td>154</td><td>122</td><td>76</td><td>53</td><td>55</td><td>60</td></tr> <tr><td>25</td><td>295</td><td>262</td><td>187</td><td>102</td><td>44</td><td>46</td><td>58</td></tr> <tr><td>35</td><td>416</td><td>363</td><td>235</td><td>105</td><td>37</td><td>25</td><td>43</td></tr> <tr><td>45</td><td>482</td><td>418</td><td>204</td><td>77</td><td>32</td><td>19</td><td>35</td></tr> <tr><td>55</td><td>308</td><td>300</td><td>112</td><td>47</td><td>23</td><td>15</td><td>33</td></tr> <tr><td>65</td><td>66</td><td>67</td><td>45</td><td>24</td><td>13</td><td>10</td><td>26</td></tr> <tr><td>75</td><td>18</td><td>13</td><td>10</td><td>8</td><td>5</td><td>6</td><td>13</td></tr> <tr><td>85</td><td>2</td><td>1</td><td>1</td><td>2</td><td>2</td><td>2</td><td>4</td></tr> <tr><td>90</td><td>0</td><td>1</td><td>0</td><td>1</td><td>1</td><td>1</td><td>0</td></tr> </tbody> </table>	Vertical Angle	Plane angle							Wall 22.5	45	67.5	90	112.5	135	157.5	0	54	54	54	54	54	54	54	5	71	68	61	56	54	53	54	15	169	154	122	76	53	55	60	25	295	262	187	102	44	46	58	35	416	363	235	105	37	25	43	45	482	418	204	77	32	19	35	55	308	300	112	47	23	15	33	65	66	67	45	24	13	10	26	75	18	13	10	8	5	6	13	85	2	1	1	2	2	2	4	90	0	1	0	1	1	1	0	<table border="1"> <thead> <tr> <th rowspan="2">ft. from ceiling</th> <th colspan="9">Wallwash Illuminance Study (fc)</th> </tr> <tr> <th colspan="3">Illuminance on wall from 6 luminaires</th> <th colspan="3">Luminaire mounted 3 ft. from wall</th> <th colspan="3">Luminaire mounted 3 ft. from wall 5 ft. between luminaires</th> </tr> <tr> <th></th> <th>3</th> <th>3.5</th> <th>4</th> <th>3</th> <th>3.5</th> <th>4</th> <th>3</th> <th>3.5</th> <th>4</th> </tr> </thead> <tbody> <tr><td>1</td><td>3</td><td>2</td><td>3</td><td>3</td><td>2</td><td>3</td><td>3</td><td>1</td><td>3</td></tr> <tr><td>2</td><td>20</td><td>17</td><td>20</td><td>18</td><td>9</td><td>18</td><td>17</td><td>5</td><td>17</td></tr> <tr><td>3</td><td>24</td><td>26</td><td>24</td><td>21</td><td>16</td><td>21</td><td>20</td><td>9</td><td>20</td></tr> <tr><td>4</td><td>17</td><td>18</td><td>17</td><td>13</td><td>13</td><td>13</td><td>12</td><td>9</td><td>12</td></tr> <tr><td>5</td><td>11</td><td>11</td><td>11</td><td>8</td><td>9</td><td>8</td><td>7</td><td>7</td><td>7</td></tr> <tr><td>6</td><td>7</td><td>7</td><td>7</td><td>6</td><td>6</td><td>6</td><td>5</td><td>5</td><td>5</td></tr> <tr><td>7</td><td>5</td><td>5</td><td>5</td><td>4</td><td>4</td><td>4</td><td>3</td><td>3</td><td>3</td></tr> <tr><td>8</td><td>4</td><td>4</td><td>4</td><td>3</td><td>3</td><td>3</td><td>2</td><td>2</td><td>2</td></tr> <tr><td>9</td><td>3</td><td>3</td><td>3</td><td>2</td><td>2</td><td>2</td><td>2</td><td>2</td><td>2</td></tr> <tr><td>10</td><td>2</td><td>2</td><td>2</td><td>1</td><td>1</td><td>1</td><td>1</td><td>1</td><td>1</td></tr> </tbody> </table>	ft. from ceiling	Wallwash Illuminance Study (fc)									Illuminance on wall from 6 luminaires			Luminaire mounted 3 ft. from wall			Luminaire mounted 3 ft. from wall 5 ft. between luminaires				3	3.5	4	3	3.5	4	3	3.5	4	1	3	2	3	3	2	3	3	1	3	2	20	17	20	18	9	18	17	5	17	3	24	26	24	21	16	21	20	9	20	4	17	18	17	13	13	13	12	9	12	5	11	11	11	8	9	8	7	7	7	6	7	7	7	6	6	6	5	5	5	7	5	5	5	4	4	4	3	3	3	8	4	4	4	3	3	3	2	2	2	9	3	3	3	2	2	2	2	2	2	10	2	2	2	1	1	1	1	1	1
Vertical Angle	Plane angle																																																																																																																																																																																																																																									
	Wall 22.5	45	67.5	90	112.5	135	157.5																																																																																																																																																																																																																																			
0	54	54	54	54	54	54	54																																																																																																																																																																																																																																			
5	71	68	61	56	54	53	54																																																																																																																																																																																																																																			
15	169	154	122	76	53	55	60																																																																																																																																																																																																																																			
25	295	262	187	102	44	46	58																																																																																																																																																																																																																																			
35	416	363	235	105	37	25	43																																																																																																																																																																																																																																			
45	482	418	204	77	32	19	35																																																																																																																																																																																																																																			
55	308	300	112	47	23	15	33																																																																																																																																																																																																																																			
65	66	67	45	24	13	10	26																																																																																																																																																																																																																																			
75	18	13	10	8	5	6	13																																																																																																																																																																																																																																			
85	2	1	1	2	2	2	4																																																																																																																																																																																																																																			
90	0	1	0	1	1	1	0																																																																																																																																																																																																																																			
ft. from ceiling	Wallwash Illuminance Study (fc)																																																																																																																																																																																																																																									
	Illuminance on wall from 6 luminaires			Luminaire mounted 3 ft. from wall			Luminaire mounted 3 ft. from wall 5 ft. between luminaires																																																																																																																																																																																																																																			
	3	3.5	4	3	3.5	4	3	3.5	4																																																																																																																																																																																																																																	
1	3	2	3	3	2	3	3	1	3																																																																																																																																																																																																																																	
2	20	17	20	18	9	18	17	5	17																																																																																																																																																																																																																																	
3	24	26	24	21	16	21	20	9	20																																																																																																																																																																																																																																	
4	17	18	17	13	13	13	12	9	12																																																																																																																																																																																																																																	
5	11	11	11	8	9	8	7	7	7																																																																																																																																																																																																																																	
6	7	7	7	6	6	6	5	5	5																																																																																																																																																																																																																																	
7	5	5	5	4	4	4	3	3	3																																																																																																																																																																																																																																	
8	4	4	4	3	3	3	2	2	2																																																																																																																																																																																																																																	
9	3	3	3	2	2	2	2	2	2																																																																																																																																																																																																																																	
10	2	2	2	1	1	1	1	1	1																																																																																																																																																																																																																																	

<b>SQDLVWSH71W4DSRLD</b> Q71MR16/C/FL 40 lamp 3000 rated lumens Test No. LTL17937	<table border="1"> <thead> <tr> <th rowspan="2">Vertical Angle</th> <th colspan="7">Plane angle</th> </tr> <tr> <th>Wall 22.5</th> <th>45</th> <th>67.5</th> <th>90</th> <th>112.5</th> <th>135</th> <th>157.5</th> </tr> </thead> <tbody> <tr><td>0</td><td>55</td><td>55</td><td>55</td><td>55</td><td>55</td><td>55</td><td>55</td></tr> <tr><td>5</td><td>56</td><td>54</td><td>52</td><td>51</td><td>54</td><td>60</td><td>68</td></tr> <tr><td>15</td><td>140</td><td>124</td><td>93</td><td>59</td><td>49</td><td>64</td><td>102</td></tr> <tr><td>25</td><td>267</td><td>231</td><td>152</td><td>77</td><td>40</td><td>52</td><td>117</td></tr> <tr><td>35</td><td>359</td><td>309</td><td>188</td><td>89</td><td>36</td><td>28</td><td>79</td></tr> <tr><td>45</td><td>386</td><td>329</td><td>187</td><td>90</td><td>35</td><td>18</td><td>36</td></tr> <tr><td>55</td><td>284</td><td>255</td><td>151</td><td>70</td><td>27</td><td>14</td><td>31</td></tr> <tr><td>65</td><td>138</td><td>129</td><td>86</td><td>41</td><td>16</td><td>10</td><td>27</td></tr> <tr><td>75</td><td>45</td><td>38</td><td>27</td><td>14</td><td>6</td><td>6</td><td>15</td></tr> <tr><td>85</td><td>3</td><td>2</td><td>2</td><td>2</td><td>2</td><td>3</td><td>5</td></tr> <tr><td>90</td><td>0</td><td>0</td><td>1</td><td>1</td><td>1</td><td>1</td><td>1</td></tr> </tbody> </table>	Vertical Angle	Plane angle							Wall 22.5	45	67.5	90	112.5	135	157.5	0	55	55	55	55	55	55	55	5	56	54	52	51	54	60	68	15	140	124	93	59	49	64	102	25	267	231	152	77	40	52	117	35	359	309	188	89	36	28	79	45	386	329	187	90	35	18	36	55	284	255	151	70	27	14	31	65	138	129	86	41	16	10	27	75	45	38	27	14	6	6	15	85	3	2	2	2	2	3	5	90	0	0	1	1	1	1	1	<table border="1"> <thead> <tr> <th rowspan="2">ft. from ceiling</th> <th colspan="9">Wallwash Illuminance Study (fc)</th> </tr> <tr> <th colspan="3">Illuminance on wall from 6 luminaires</th> <th colspan="3">Luminaire mounted 3 ft. from wall</th> <th colspan="3">Luminaire mounted 3 ft. from wall 5 ft. between luminaires</th> </tr> <tr> <th></th> <th>3</th> <th>3.5</th> <th>4</th> <th>3</th> <th>3.5</th> <th>4</th> <th>3</th> <th>3.5</th> <th>4</th> </tr> </thead> <tbody> <tr><td>1</td><td>8</td><td>6</td><td>8</td><td>7</td><td>4</td><td>7</td><td>7</td><td>2</td><td>7</td></tr> <tr><td>2</td><td>22</td><td>19</td><td>22</td><td>19</td><td>12</td><td>19</td><td>18</td><td>8</td><td>18</td></tr> <tr><td>3</td><td>22</td><td>21</td><td>22</td><td>18</td><td>14</td><td>18</td><td>17</td><td>9</td><td>17</td></tr> <tr><td>4</td><td>15</td><td>15</td><td>15</td><td>12</td><td>11</td><td>12</td><td>11</td><td>8</td><td>11</td></tr> <tr><td>5</td><td>10</td><td>10</td><td>10</td><td>8</td><td>8</td><td>8</td><td>7</td><td>6</td><td>7</td></tr> <tr><td>6</td><td>7</td><td>7</td><td>7</td><td>5</td><td>5</td><td>5</td><td>4</td><td>4</td><td>4</td></tr> <tr><td>7</td><td>4</td><td>5</td><td>4</td><td>3</td><td>4</td><td>3</td><td>3</td><td>3</td><td>3</td></tr> <tr><td>8</td><td>3</td><td>3</td><td>3</td><td>2</td><td>2</td><td>2</td><td>2</td><td>2</td><td>2</td></tr> <tr><td>9</td><td>2</td><td>2</td><td>2</td><td>2</td><td>2</td><td>2</td><td>1</td><td>1</td><td>1</td></tr> <tr><td>10</td><td>2</td><td>2</td><td>2</td><td>1</td><td>1</td><td>1</td><td>1</td><td>1</td><td>1</td></tr> </tbody> </table>	ft. from ceiling	Wallwash Illuminance Study (fc)									Illuminance on wall from 6 luminaires			Luminaire mounted 3 ft. from wall			Luminaire mounted 3 ft. from wall 5 ft. between luminaires				3	3.5	4	3	3.5	4	3	3.5	4	1	8	6	8	7	4	7	7	2	7	2	22	19	22	19	12	19	18	8	18	3	22	21	22	18	14	18	17	9	17	4	15	15	15	12	11	12	11	8	11	5	10	10	10	8	8	8	7	6	7	6	7	7	7	5	5	5	4	4	4	7	4	5	4	3	4	3	3	3	3	8	3	3	3	2	2	2	2	2	2	9	2	2	2	2	2	2	1	1	1	10	2	2	2	1	1	1	1	1	1
Vertical Angle	Plane angle																																																																																																																																																																																																																																									
	Wall 22.5	45	67.5	90	112.5	135	157.5																																																																																																																																																																																																																																			
0	55	55	55	55	55	55	55																																																																																																																																																																																																																																			
5	56	54	52	51	54	60	68																																																																																																																																																																																																																																			
15	140	124	93	59	49	64	102																																																																																																																																																																																																																																			
25	267	231	152	77	40	52	117																																																																																																																																																																																																																																			
35	359	309	188	89	36	28	79																																																																																																																																																																																																																																			
45	386	329	187	90	35	18	36																																																																																																																																																																																																																																			
55	284	255	151	70	27	14	31																																																																																																																																																																																																																																			
65	138	129	86	41	16	10	27																																																																																																																																																																																																																																			
75	45	38	27	14	6	6	15																																																																																																																																																																																																																																			
85	3	2	2	2	2	3	5																																																																																																																																																																																																																																			
90	0	0	1	1	1	1	1																																																																																																																																																																																																																																			
ft. from ceiling	Wallwash Illuminance Study (fc)																																																																																																																																																																																																																																									
	Illuminance on wall from 6 luminaires			Luminaire mounted 3 ft. from wall			Luminaire mounted 3 ft. from wall 5 ft. between luminaires																																																																																																																																																																																																																																			
	3	3.5	4	3	3.5	4	3	3.5	4																																																																																																																																																																																																																																	
1	8	6	8	7	4	7	7	2	7																																																																																																																																																																																																																																	
2	22	19	22	19	12	19	18	8	18																																																																																																																																																																																																																																	
3	22	21	22	18	14	18	17	9	17																																																																																																																																																																																																																																	
4	15	15	15	12	11	12	11	8	11																																																																																																																																																																																																																																	
5	10	10	10	8	8	8	7	6	7																																																																																																																																																																																																																																	
6	7	7	7	5	5	5	4	4	4																																																																																																																																																																																																																																	
7	4	5	4	3	4	3	3	3	3																																																																																																																																																																																																																																	
8	3	3	3	2	2	2	2	2	2																																																																																																																																																																																																																																	
9	2	2	2	2	2	2	1	1	1																																																																																																																																																																																																																																	
10	2	2	2	1	1	1	1	1	1																																																																																																																																																																																																																																	

NOTES:  
 1. For electrical characteristics consult Technical Bulletins tab.  
 2. Tested to current IES and NEMA standards under stabilized laboratory conditions. Various operating factors can cause differences between laboratory data and actual field measurements. Dimensions and specifications are based on the most current available data and are subject to change without notice.

### ALV-330

©2009-2012 Acuity Brands Lighting, Inc.  
 All Rights Reserved. Rev. 03/06/12  
 Specifications subject to change without notice.



GOTHAM ARCHITECTURAL DOWNLIGHTING  
 1400 Lester Road Conyers Georgia 30012  
 P 800 315 4982 F 770 860 3129  
 www.gothamlighting.com