

Gotham Architectural Downlighting
Incandescent Downlights

4" AW
Open Wallwash

A19 or BT15 Lamp

FEATURES

OPTICAL SYSTEM

- Self-flanged, semi-specular, specular or matte diffuse reflector. Patented Bouncing Ray™ Optical Principle design (U.S. Patent No. 5,800,050).
- Patented hybrid kicker utilizes a multi-finish process to provide maximum vertical illumination on the wall.

MECHANICAL SYSTEM

- 16-gauge galvanized steel construction; maximum 1-5/8" ceiling thickness.
- Telescopic mounting bars maximum of 32" and minimum of 15", preinstalled, 4" vertical adjustment.
- Toolless adjustments post installation.
- Junction box capacity: 8 (4 in, 4 out) No. 12AWG rated for 90°C.

ELECTRICAL SYSTEM

- Die-cast aluminum lampholder housing.
- Medium-base porcelain socket with nickel-plated screw shell.
- Thermally activated insulation detector.

LISTING

- Fixtures are UL listed for thru-branch wiring, recessed mounting and damp locations and are non-IC rated. Listed and labeled to comply with Canadian standards.

WARRANTY

- 1-year limited warranty. Complete warranty terms located at: www.acuitybrands.com/CustomerResources/Terms_and_conditions.aspx

ORDERING INFORMATION

EXAMPLE: AW 4AR

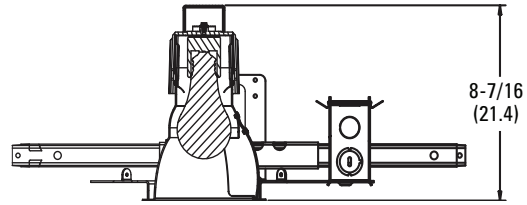
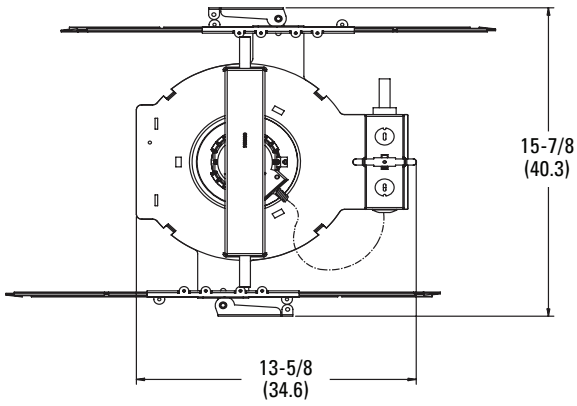
Series ¹	Aperture/Trim color	Finish	Lens type	Options
AW	4AR Clear	(blank) Semi-specular	(blank) No lens	TRW White painted flange
	4PR Pewter	LD Matte-diffuse	CGL Clear glass lens	TRBL Black painted flange
	4WTR Wheat	LS Specular		RRL³ RELOC®-ready luminaire. Provides compatibility with Lithuania RELOC system. Access above ceiling required.
	4WG Gold			SDT Stepdown transformer (277V to 120V)
	4WR² White painted			SDT347 Stepdown transformer (347V to 120V; 75W max.)
				SF Single fuse
				GSKT Foam gasketing
				WRL⁴ Wattage restriction label

NOTES

ORDERING NOTES

1. Maximum wattage: 100W.
2. Not available with LD or LS finish.
3. For compatible RELOC systems, refer to [TECH-110](#).
4. Must specify wattage: Ex.: WRL50

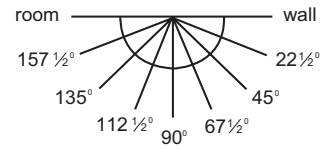
All dimensions are inches (centimeters) unless otherwise noted.



- Aperture: 4-5/16 (11.0)
- Ceiling opening: 5-1/8 (13.0)
- Overlap trim: 5-7/16 (13.8)

TECHNICAL INFORMATION

Footcandle values are initial and tables are based on minimum of six units. For fixture-to-wall distance other than those shown, use maximum of one-to-one spacing (distance between fixtures not more than distance to wall) for best results.



Fixture/Lamp	Candlepower Data	Footcandle values
--------------	------------------	-------------------

AW 4AR

100W A19-IF lamp

1680 rated lumens

Test no. LTL12651

Vertical angle	Plane angle									Luminaire 3 ft. from wall on 3 ft. centers			Luminaire 3 ft. from wall on 4 ft. centers			
	Roomside					Wall side										
	Room	157½°	135°	112½°	90°	67½°	45°	22½°	Wall							
0°	362	362	362	362	362	362	362	362	362	1	4	3	4	3	2	3
5°	397	394	388	378	367	354	343	336	332	2	13	12	13	11	8	11
15°	462	457	443	416	380	341	308	289	281	3	16	16	16	12	11	12
25°	475	467	463	437	397	353	322	306	296	4	14	14	14	11	11	11
35°	380	376	385	373	347	321	304	293	290	5	12	11	11	9	9	9
45°	227	230	237	238	223	223	241	245	244	6	9	9	8	7	7	7
55°	47	50	54	59	64	90	134	156	164	7	7	7	6	6	6	5
65°	4	4	4	5	5	21	58	70	71	8	5	5	5	4	4	4
75°	2	2	2	2	2	6	16	18	18	9	4	4	4	4	4	3
85°	0	0	0	0	0	0	1	2	2	10	3	3	3	3	3	3
90°	0	0	0	0	0	0	0	0	0							

AW 4AR

100W BT15-IF lamp

1670 rated lumens

Test no. LTL12650

Vertical angle	Plane angle									Luminaire 3 ft. from wall on 3 ft. centers			Luminaire 3 ft. from wall on 4 ft. centers			
	Roomside					Wall side										
	Room	157½°	135°	112½°	90°	67½°	45°	22½°	Wall							
0°	434	434	434	434	434	434	434	434	434	1	3	2	3	2	1	2
5°	474	472	465	454	436	420	405	394	388	2	10	9	10	8	6	8
15°	517	512	496	468	431	393	361	341	330	3	14	14	14	11	10	11
25°	510	503	494	470	434	404	386	374	367	4	13	13	13	10	10	10
35°	367	365	363	352	327	312	312	313	314	5	11	12	11	9	9	9
45°	198	198	197	195	189	184	208	227	237	6	10	9	9	7	7	7
55°	40	42	40	38	37	51	97	128	133	7	8	8	7	6	6	6
65°	4	4	4	4	4	12	38	47	49	8	6	6	6	5	5	5
75°	2	2	2	2	2	4	10	12	13	9	5	5	4	4	4	4
85°	0	0	1	1	0	0	1	1	1	10	4	4	4	3	3	3
90°	0	0	0	0	0	0	0	0	0							

PHOTOMETRY NOTES

- Tested to current IES and NEMA standards under stabilized laboratory conditions.
- Actual performance may differ as a result of end-user environment and application.
- Consult factory or IES file for microgroove baffle, black cone or other photometric reports.