

FEATURES

OPTICAL SYSTEM

- Self-flanged, semi-specular or matte-diffuse reflector.
- Patented Vertisys® - Bounding Ray™ Optical Principle design (US Patent #5,800,050) provides lamp before lamp image. Lamp image that reflects smoothly from the top of the reflector to the aperture, providing optimal fixture performance and efficiency.

MECHANICAL SYSTEM

- 16-gauge galvanized steel mounting/plaster frame with friction support clips to retain optical system. Maximum 7/8" ceiling thickness.
- 16-gauge galvanized steel mounting bars with continuous 4" vertical adjustment are shipped pre-installed. Post installation adjustment possible without the use of tools from above or below ceiling.
- Galvanized steel junction box with hinged access covers and spring latch. Two combination 1/2"-3/4" and three 1/2" knockouts for straight-through conduit runs. Capacity: 8 (4 in, 4 out) No. 12 AWG conductors, rated for 90°C.

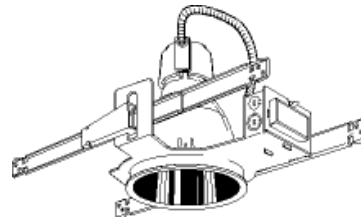
ELECTRICAL SYSTEM

- Rugged aluminum lampholder housing.
- Vertically-mounted, positive-latch, thermoplastic socket.
- Class P, thermally protected, high power factor electronic ballast mounted to the junction box.
- Simply5™ technology available. **SIMPLY5™** LIGHTING INTELLIGENCE

LISTING

- Fixtures are UL Listed for thru-branch wiring, Non-IC recessed mounting and damp locations. Listed and labeled to comply with Canadian standards.

Type Catalog number

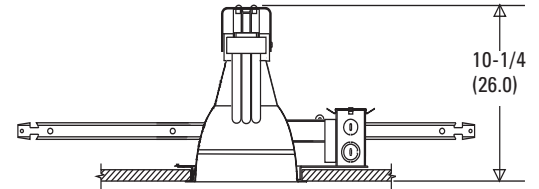


Compact Fluorescent Downlights

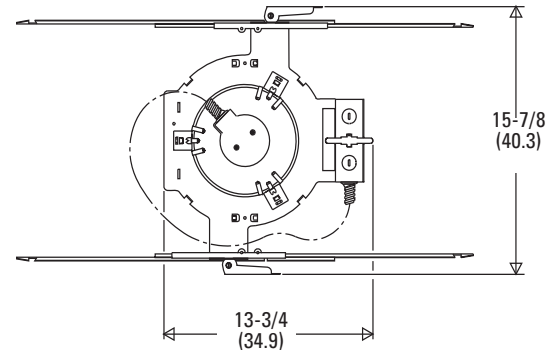
6" AFV

Lensed Reflector

Vertical Double Twin-Tube or Triple-Tube Lamp



Aperture: 6-1/4 (15.9)
Ceiling opening: 7-1/8 (18.1)
Overlap trim: 7-1/2 (19.1)
Lens recess: 1-1/2 (3.8)



All dimensions are inches (centimeters).

*Maximum height depends on lamp wattage/type, dimensions range from 10-1/4" for 18DTT, 26DTT and 42 TRT; 9-3/8" for 13DTT, 18TRT, 26TRT and 32TRT

ORDERING INFORMATION

Example: **AFV32TRT6MB CGLMVOLTWLP**

Choose the boldface catalog nomenclature that best suits your needs and write it on the appropriate line. Order accessories as separate catalog numbers (shipped separately).

AFV

| Series | Wattage/Lamp | Aperture/Trim color | Lens type | Voltage | Ballast ³ | Options |
|------------|--------------|--------------------------------------|-------------------------------------|--------------------------|---|---|
| AFV | 13DTT | 6AR Clear | CGL Clear glass lens | MVOLT² | (blank) Electronic ballast | ELR⁷ Emergency battery pack. Remote test switch |
| | 18DTT | 6PR Pewter | CAL Clear acrylic lens | 120 | ECOS⁴ EcoSystem electronic ballast. | GMP⁶ Single, slow-blow fuse |
| | 26DTT | 6UBR Umber | PCL Clear polycarbonate lens | 277 | Minimum dimming level 5%. | GLR⁸ Single, fast-blow fuse |
| | 18TRT | 6WTR Wheat | T73 Tempered prismatic lens | 347 | ADEZ^{4,5} Advance Mark 10 [®] electronic dimming ballast. Minimum dimming level 5% | TRW White painted flange (standard on MB and WB) |
| | 26TRT | 6WR¹ White painted | A12 Prismatic acrylic lens | | S5⁵ SIMPLY5™ system ballast | TRBL Black painted flange |
| | 32TRT | 6MB¹ Black baffle | | | S5 HW SIMPLY5™ system ballast less Reloc | GSKT Foam gasketing |
| | 42TRT | 6WB¹ White baffle | | | | WLP With 3500 K lamp (shipped separately) |
| | | | | | | LRC⁹ Provides compatibility with Lithonia Reloc System. Access above ceiling required |
| | | | | | | CP¹⁰ Chicago plenum |
| | | | | | | CSA CSA certified |

Finish

(blank) Semi-specular
LD Matte-diffuse

NOTES

- 1 Not available with finishes.
- 2 Multi-volt electronic ballast capable of operating on any line voltage from 120V through 277V, 50 or 60Hz.
- 3 For additional ballast types, refer to Technical Bulletins tab.
- 4 Not available with 13DTT.
- 5 Available in 120V or 277V only.
- 6 Simply5™ includes 9" S5 MLC Reloc wiring system (shipped separately). Available in 120V or 277V only. Not available in 13W or 18W. See simply5.net for more information.
- 7 For dimensional changes, refer to Technical Bulletins tab.
- 8 Not available with MVOLT.
- 9 For compatible Reloc systems, refer to Technical Bulletins tab.
- 10 Not available with ELR option.
- 11 Meets codes that require in-fixture disconnect.
- 12 One 5A relay with one 0-10 VDC dimming output, shipped installed. Requires additional nLight bus power supply.

Accessories

- Order as separate catalog numbers.
- SCA6** Sloped ceiling adapter. Degree of slope must be specified (10D, 15D, 20D, 25D, 30D). Ex: SCA6 10D
 - CTA4-8 YK** Ceiling thickness adapter. (Extends mounting frame to accommodate ceiling thickness up to 4-1/4" DTT and 3-1/4" TRT)
 - NSD¹²** Sensor Switch nLight™ dimming relay
 - WL** Wet location

6" AFV Lensed Reflector

Distribution curve Distribution data Output data Coefficient of utilization Illuminance Data at 30" Above Floor for a Single Luminaire

AFV 26TRT 6AR CGL, (1) PL-T 26W/30K/4P lamp, 1800 rated lumens, 1.2 s/mh, Test no. LTL7766

| 90° 180 360 540 720 900 0° | From 0° | | Zone Lumens %lamp | Lumens %lamp | pf pc pw | 80% | | 20% | | 50% | Mount height | Initial fc at beam center | 50% | | 10% | | | | |
|--|---------|--------|-------------------|--------------|----------|-------|-----|-----|-----|-----|--------------|---------------------------|------------------|------------------|-----------------|---------------|------|-------|-----|
| | 0° | cp. | | | | 50% | 30% | 50% | 30% | | | | beam angle 63.9° | beam angle 93.8° | | | | | |
| | Lumens | Lumens | | | | 50% | 30% | 50% | 30% | | | | fc at beam edge | Beam diameter | fc at beam edge | Beam diameter | | | |
| | 0° | 764 | 0 | 0°-30° | 629 | 35.0 | 1 | 76 | 74 | 73 | 70 | 69 | 68 | 8' | 25.3 | 6.9' | 12.6 | 11.8' | 2.5 |
| | 5° | 800 | 76 | 0°-40° | 993 | 55.2 | 2 | 70 | 66 | 69 | 64 | 64 | 62 | 10' | 13.6 | 9.3' | 6.8 | 16.0' | 1.3 |
| | 15° | 806 | 228 | 0°-60° | 1249 | 69.4 | 3 | 64 | 60 | 65 | 58 | 59 | 57 | 12' | 8.5 | 11.8' | 4.2 | 20.3' | 0.8 |
| | 25° | 701 | 324 | 0°-90° | 1249 | 69.4 | 4 | 59 | 54 | 61 | 53 | 55 | 52 | 14' | 5.8 | 14.3' | 2.9 | 24.6' | 0.6 |
| | 35° | 579 | 364 | 90°-180° | 0 | 0.0 | 5 | 54 | 49 | 57 | 48 | 51 | 48 | 16' | 4.2 | 16.8' | 2.1 | 28.9' | 0.4 |
| | 45° | 325 | 252 | 0°-180° | 1249 | 69.4* | 6 | 50 | 45 | 54 | 44 | 47 | 44 | | | | | | |
| | 55° | 5 | 4 | *Efficiency | | | 7 | 46 | 41 | 51 | 41 | 44 | 40 | | | | | | |
| | 65° | 0 | 0 | | | | 8 | 43 | 38 | 48 | 37 | 41 | 37 | | | | | | |
| | 75° | 0 | 0 | | | | 9 | 40 | 35 | 45 | 34 | 38 | 34 | | | | | | |
| | 85° | 0 | 0 | | | | 10 | 37 | 32 | 42 | 32 | 35 | 32 | | | | | | |
| | 90° | 0 | 0 | | | | | | | | | | | | | | | | |

AFV 32TRT 6AR CGL, (1) PL-T 32W/30K/4P lamp, 2400 rated lumens, 1.0 s/mh, Test no. LTL7728

| 90° 280 560 840 1120 1400 0° | From 0° | | Zone Lumens %lamp | Lumens %lamp | pf pc pw | 80% | | 20% | | 50% | Mount height | Initial fc at beam center | 50% | | 10% | | | | |
|--|---------|--------|-------------------|--------------|----------|-------|-----|-----|-----|-----|--------------|---------------------------|------------------|------------------|-----------------|---------------|------|-------|-----|
| | 0° | cp. | | | | 50% | 30% | 50% | 30% | | | | beam angle 55.3° | beam angle 87.6° | | | | | |
| | Lumens | Lumens | | | | 50% | 30% | 50% | 30% | | | | fc at beam edge | Beam diameter | fc at beam edge | Beam diameter | | | |
| | 0° | 1236 | 0 | 0°-30° | 922 | 38.4 | 1 | 71 | 69 | 68 | 66 | 64 | 63 | 8' | 40.9 | 5.8' | 20.4 | 10.6' | 4.0 |
| | 5° | 1325 | 126 | 0°-40° | 1348 | 56.2 | 2 | 65 | 63 | 65 | 60 | 60 | 59 | 10' | 22.0 | 7.9' | 11.0 | 14.4' | 2.2 |
| | 15° | 1252 | 355 | 0°-60° | 1551 | 64.6 | 3 | 61 | 57 | 61 | 55 | 56 | 54 | 12' | 13.7 | 9.9' | 6.8 | 18.2' | 1.4 |
| | 25° | 953 | 441 | 0°-90° | 1552 | 64.7 | 4 | 56 | 52 | 58 | 51 | 53 | 50 | 14' | 9.3 | 12.0' | 4.7 | 22.1' | 0.9 |
| | 35° | 678 | 426 | 90°-180° | 0 | 0.0 | 5 | 52 | 48 | 55 | 47 | 49 | 46 | 16' | 6.8 | 14.1' | 3.4 | 25.9' | 0.7 |
| | 45° | 258 | 200 | 0°-180° | 1552 | 64.7* | 6 | 48 | 44 | 52 | 43 | 46 | 43 | | | | | | |
| | 55° | 4 | 4 | *Efficiency | | | 7 | 45 | 41 | 49 | 40 | 43 | 40 | | | | | | |
| | 65° | 1 | 0 | | | | 8 | 42 | 38 | 46 | 37 | 40 | 37 | | | | | | |
| | 75° | 0 | 0 | | | | 9 | 39 | 35 | 44 | 35 | 38 | 35 | | | | | | |
| | 85° | 0 | 0 | | | | 10 | 37 | 33 | 42 | 33 | 36 | 32 | | | | | | |
| | 90° | 0 | 0 | | | | | | | | | | | | | | | | |

AFV 42TRT 6AR CGL, (1) PL-T 42W/30K/4P lamp, 3200 rated lumens, 1.0 s/mh, Test no. LTL7729

| 90° 340 680 1020 1360 1700 0° | From 0° | | Zone Lumens %lamp | Lumens %lamp | pf pc pw | 80% | | 20% | | 50% | Mount height | Initial fc at beam center | 50% | | 10% | | | | |
|---|---------|--------|-------------------|--------------|----------|-------|-----|-----|-----|-----|--------------|---------------------------|------------------|------------------|-----------------|---------------|------|-------|-----|
| | 0° | cp. | | | | 50% | 30% | 50% | 30% | | | | beam angle 53.7° | beam angle 85.9° | | | | | |
| | Lumens | Lumens | | | | 50% | 30% | 50% | 30% | | | | fc at beam edge | Beam diameter | fc at beam edge | Beam diameter | | | |
| | 0° | 1443 | 0 | 0°-30° | 1020 | 31.9 | 1 | 58 | 56 | 55 | 53 | 52 | 52 | 8' | 47.7 | 5.6' | 23.8 | 10.2' | 4.7 |
| | 5° | 1569 | 150 | 0°-40° | 1494 | 46.7 | 2 | 53 | 51 | 53 | 49 | 49 | 48 | 10' | 25.7 | 7.6' | 12.8 | 14.0' | 2.5 |
| | 15° | 1349 | 383 | 0°-60° | 1677 | 52.4 | 3 | 49 | 47 | 50 | 45 | 46 | 44 | 12' | 16.0 | 9.6' | 8.0 | 17.7' | 1.6 |
| | 25° | 1053 | 488 | 0°-90° | 1684 | 52.6 | 4 | 46 | 43 | 47 | 41 | 43 | 41 | 14' | 10.9 | 11.7' | 5.5 | 21.4' | 1.1 |
| | 35° | 756 | 475 | 90°-180° | 0 | 0.0 | 5 | 42 | 39 | 45 | 38 | 40 | 38 | 16' | 7.9 | 13.7' | 4.0 | 25.1' | 0.8 |
| | 45° | 224 | 174 | 0°-180° | 1684 | 52.6* | 6 | 40 | 36 | 42 | 36 | 38 | 35 | | | | | | |
| | 55° | 10 | 9 | *Efficiency | | | 7 | 37 | 34 | 40 | 33 | 35 | 33 | | | | | | |
| | 65° | 4 | 4 | | | | 8 | 34 | 31 | 38 | 31 | 33 | 30 | | | | | | |
| | 75° | 2 | 2 | | | | 9 | 32 | 29 | 36 | 29 | 31 | 28 | | | | | | |
| | 85° | 2 | 2 | | | | 10 | 30 | 27 | 34 | 27 | 29 | 27 | | | | | | |
| | 90° | 0 | 0 | | | | | | | | | | | | | | | | |

AFV 32TRT 6MB CGL, (1) PL-T 32W/30K/4P lamp, 2400 rated lumens, 1.0 s/mh, Test no. LTL7730

| 90° 240 480 720 960 1200 0° | From 0° | | Zone Lumens %lamp | Lumens %lamp | pf pc pw | 80% | | 20% | | 50% | Mount height | Initial fc at beam center | 50% | | 10% | | | | |
|---|---------|--------|-------------------|--------------|----------|-------|-----|-----|-----|-----|--------------|---------------------------|------------------|------------------|-----------------|---------------|------|-------|-----|
| | 0° | cp. | | | | 50% | 30% | 50% | 30% | | | | beam angle 50.9° | beam angle 84.3° | | | | | |
| | Lumens | Lumens | | | | 50% | 30% | 50% | 30% | | | | fc at beam edge | Beam diameter | fc at beam edge | Beam diameter | | | |
| | 0° | 1087 | 0 | 0°-30° | 760 | 31.7 | 1 | 54 | 53 | 52 | 50 | 49 | 49 | 8' | 35.9 | 5.2' | 18.0 | 10.0' | 3.6 |
| | 5° | 1177 | 112 | 0°-40° | 1063 | 44.3 | 2 | 50 | 48 | 50 | 46 | 46 | 45 | 10' | 19.3 | 7.1' | 9.7 | 13.6' | 1.9 |
| | 15° | 1064 | 302 | 0°-60° | 1191 | 49.6 | 3 | 47 | 44 | 47 | 43 | 44 | 42 | 12' | 12.0 | 9.0' | 6.0 | 17.2' | 1.2 |
| | 25° | 747 | 346 | 0°-90° | 1191 | 49.6 | 4 | 43 | 41 | 45 | 40 | 41 | 39 | 14' | 8.2 | 10.9' | 4.1 | 20.8' | 0.8 |
| | 35° | 483 | 303 | 90°-180° | 0 | 0.0 | 5 | 41 | 38 | 42 | 37 | 38 | 36 | 16' | 6.0 | 12.8' | 3.0 | 24.5' | 0.6 |
| | 45° | 162 | 126 | 0°-180° | 1191 | 49.6* | 6 | 38 | 35 | 40 | 34 | 36 | 34 | | | | | | |
| | 55° | 2 | 2 | *Efficiency | | | 7 | 35 | 32 | 38 | 32 | 34 | 31 | | | | | | |
| | 65° | 0 | 0 | | | | 8 | 33 | 30 | 36 | 30 | 32 | 29 | | | | | | |
| | 75° | 0 | 0 | | | | 9 | 31 | 28 | 34 | 28 | 30 | 27 | | | | | | |
| | 85° | 0 | 0 | | | | 10 | 29 | 26 | 33 | 26 | 28 | 26 | | | | | | |
| | 90° | 0 | 0 | | | | | | | | | | | | | | | | |

| ENERGY (Calculated in accordance with NEMA standard LE-5A) | | | | | |
|--|---------------------|-------------|-------------|----------------|-------------|
| LER.DOH | Annual* Energy Cost | Lamps | Lamp Lumens | Ballast Factor | Input Watts |
| 30 | \$8.12 | (1) 26W DTT | 1800 | 1.0 | 20 |
| 36 | \$6.69 | (1) 26W TRT | 1800 | 1.0 | 28 |
| 35 | \$6.92 | (1) 32W TRT | 2400 | 0.98 | 36 |

*Comparative yearly lighting energy cost per 1000 lumens

NOTES:
 1. For electrical characteristics consult Technical Bulletins tab.
 2. Tested to current IES and NEMA standards under stabilized laboratory conditions. Various operating factors can cause differences between laboratory data and actual field measurements. Dimensions and specifications are based on the most current available data and are subject to change without notice.

DCF-390

©2007-2012 Acuity Brands Lighting, Inc.
 All Rights Reserved. Rev. 03/15/12
 Specifications subject to change without notice.



GOTHAM ARCHITECTURAL DOWNLIGHTING
 1400 Lester Road Conyers Georgia 30012
 P 800 315 4982 F 770 860 3129
 www.gothamlighting.com