

FEATURES

OPTICAL SYSTEM

- Self-flanged, semi-specular or matte-diffuse reflector. Patented Bounding Ray™ Optical Principle design (U.S. Patent No. 5,800,050) provides lamp before lamp image and smooth transition from top of reflector to bottom. Minimum flange matches reflector finish.
- Baffle/Cone: Semi-specular clear upper reflector. Microgroove baffle with white painted flange or specular black cone with flange that matches cone finish.

MECHANICAL SYSTEM

- 16-gauge galvanized steel mounting/plaster frame with friction support springs to retain optical system. Maximum 7/8" ceiling thickness.
- 16-gauge galvanized steel mounting bars with continuous 4" vertical adjustment are shipped pre-installed. Post-installation adjustment possible without the use of tools from above or below the ceiling.
- Galvanized steel junction box with hinged access covers and spring latch. Two combination 1/2"-3/4" and three 1/2" knockouts for straight-through conduit runs. Capacity: 8 (4 in, 4 out) No. 12 AWG conductors, rated for 90°C.

ELECTRICAL SYSTEM

- Horizontally mounted, positive-latch, thermoplastic socket.
- Class P, thermally protected, high-power-factor electronic ballast mounted to the junction box.
- SIMPLY5™ technology available. SIMPLY5™ LIGHTING INTELLIGENCE

LISTING

- Fixtures are UL Listed for thru-branch wiring, non-IC recessed mounting and damp locations. Listed and labeled to comply with Canadian standards.

WARRANTY

- One-year limited warranty. Full warranty terms located at www.acuitybrands.com/CustomerResources/Terms_and_conditions.asp

Type Catalog number

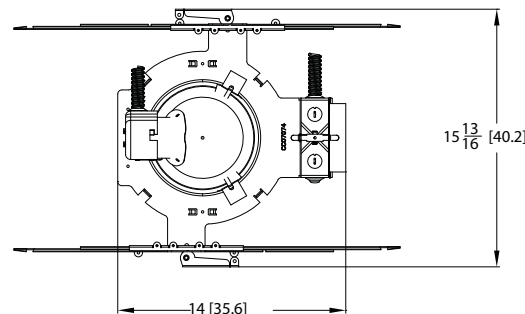


Compact Fluorescent Downlights

6" AF

Open Reflector

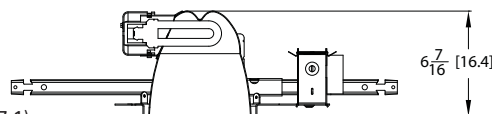
Horizontal Lamp Triple-Tube



Aperture: 6-1/4 (15.9)
Ceiling Opening: 7-1/8 (18.1)
Overlap Trim: 7-1/2 (19.1)
Lens Recess: 2.0 (5.1)

All dimensions are inches (centimeters).

Fixture height for 1/42TRT is 6-3/4 (17.1).



ORDERING INFORMATION

Example: AF 1/26TRT 6AR MVOLT

Choose the boldface catalog nomenclature that best suits your needs and write it on the appropriate line. Order accessories as separate catalog number (shipped separately).

AF									
Series	Wattage/Lamp	Aperture/Trim color	Finish	Voltage	Ballast ³	Options			
AF	1/13TRT 1/18TRT 1/26TRT 1/32TRT 1/42TRT	6AR Clear 6PR Pewter 6WTR Wheat 6WR¹ White painted 6MB¹ Black baffle 6WB¹ White baffle 6BC¹ Black cone	(blank) Semi-specular LD Matte-diffuse	MVOLT² 120 277 347	(blank) Electronic ballast ECOS^{2,4} EcoSystem® electronic dimming ballast. Minimum dimming level 5% ADEZ^{4,5} Advance Mark 10® electronic dimming ballast. Minimum dimming level 5% ADZT^{4,5} Advance Mark 7® electronic dimming ballast. Minimum dimming level 5% S5⁵ SIMPLY5™ system ballast. Minimum dimming level 15%	EL5,7 Emergency battery pack with integral test switch ELR5,7 Emergency battery pack. Remote test switch provided ELHL⁷ High lumen output emergency battery pack. Integral test switch provided ELRHL⁷ High lumen output emergency battery pack. Remote test switch provided GMF⁸ Single, slow-blow fuse GLR⁸ Single, fast-blow fuse TRW White painted flange (standard on MB and WB) TRBL Black painted flange WLP With 3500 K lamp (shipped separately) LRC⁹ Provides compatibility with Lithonia Reloc System CP⁹ Chicago plenum BDP^{9,10} Ballast disconnect plug HW Hardwire for S5 system; replaces Reloc NSD¹¹ Sensor Switch nLight™ dimming relay WL Wet location WRL¹² Wattage restriction label			
				Lens type					
				(blank) No lens CGL Clear glass lens PCL Clear polycarbonate lens T73 Tempered prismatic lens PPC Prismatic polycarbonate lens FOL Flat opal lens					
				Accessories					
				Order as separate catalog number. SCA6 Sloped ceiling adapter. Degree of slope must be specified (10D, 15D, 20D, 25D, 30D). Ex: SCA6 10D					

NOTES

- 1 Not available with finishes.
- 2 Multi-volt electronic ballast capable of operating on any voltage from 120V through 277V, 50 or 60 Hz.
- 3 For additional ballast types, refer to TECH-250.
- 4 Not available with 13W.
- 5 Available in 120V or 277V only.
- 6 SIMPLY5™ includes 9' S5 MLC Reloc wiring system (shipped separately). Available in 120V or 277V only. Not available in 13W or 18W. See simply5.net for more information.
- 7 For dimensional changes, refer to TECH-140.
- 8 For compatible Reloc systems, refer to TECH-110.
- 9 Not available with EL, ELR, ELHL or ELRHL option.
- 10 Meets codes that require in-fixture disconnect.
- 11 One 5A relay with one 0-10 VDC dimming output, shipped installed. Requires additional nLight bus power supply (nPS80).
- 12 Must specify wattage. Ex.: WRL32



GOTHAM ARCHITECTURAL DOWNLIGHTING
1400 Lester Road Conyers Georgia 30012
P 800 315 4982 F 770 860 3129
www.gothamlighting.com

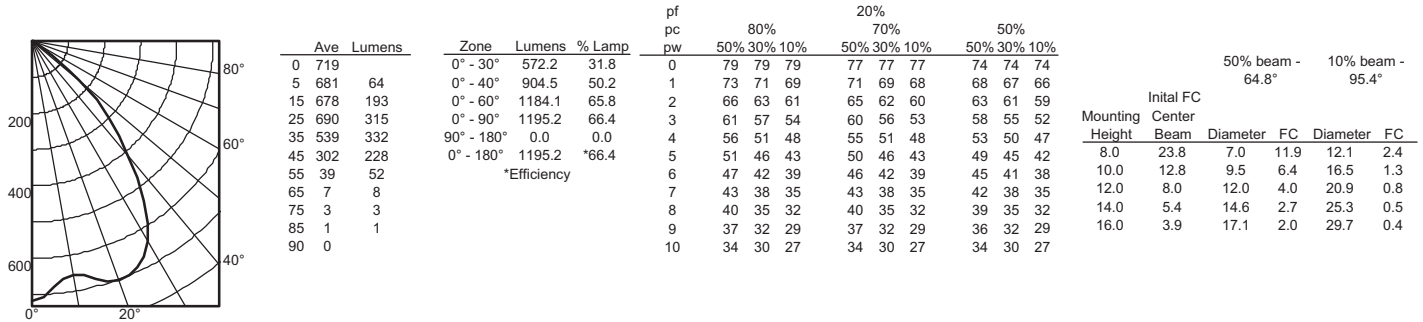
AF 6 TRT OPEN

DCF-110

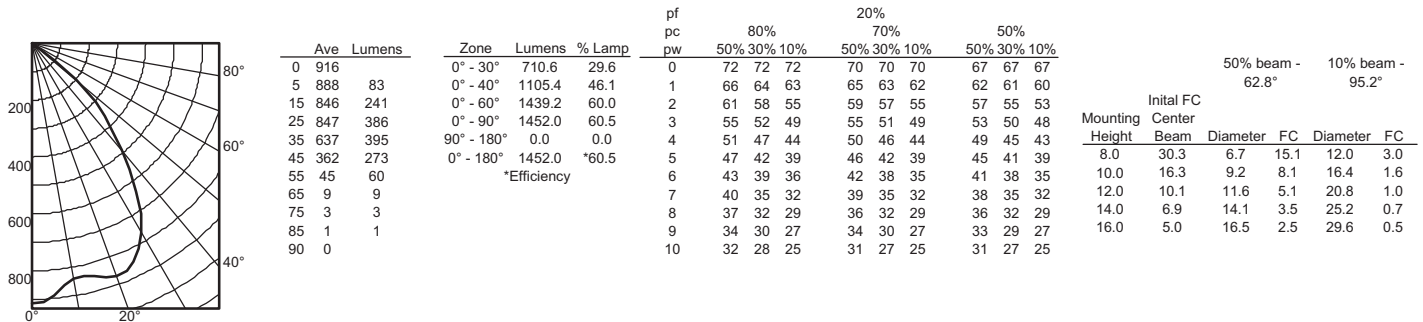
6" AF Open Reflector

Distribution curve Distribution data Output data Coefficient of utilization Illuminance Data at 30" Above Floor for a Single Luminaire

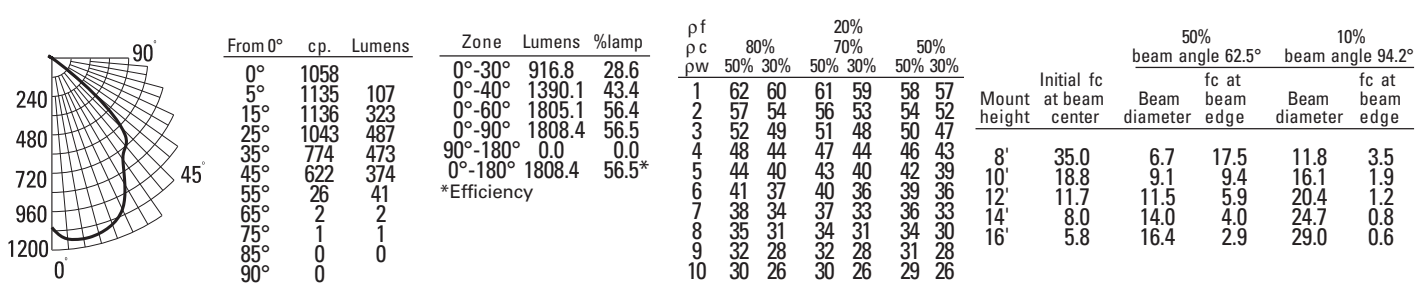
AF 1/26TRT 6AR, (1) CF26TRT, 1800 lumens per lamp, 1.3 s/mh, Test No. LTL20419



AF 1/32TRT 6AR, (1) CF32TRT, 2400 lumens per lamp, 1.2 s/mh, Test No. LTL20325



AF 1/42TRT 6AR, (1) CF42DT/E/IN/835, 3200 lumens per lamp, 1.3 s/mh, test no. LTL9521



ENERGY (Calculated in accordance with NEMA standard LE-5A)					
LER.DOL	Annual* Energy Cost	Lamps	Lamp Lumens	Ballast Factor	Input Watts
35	\$6.90	(1) 18W DTT	1200	1.00	20
40	\$5.96	(1) 26W DTT	1800	1.00	28
36	\$6.75	(2) 32W TRT	2400	0.98	36
39	\$6.11	(2) 42W TRT	3200	1.00	46

*Comparative yearly lighting energy cost per 1000 lumens

- NOTES:
- Clear lens multiplier 0.76.
 - Tested to current IES and NEMA standards under stabilized laboratory conditions. Various operating factors can cause differences between laboratory data and actual field measurements. Dimensions and specifications are based on the most current available data and are subject to change without notice.
 - Consult factory or IES file for microgroove baffle, black cone and other photometric reports.
 - Actual performance may differ as a result of end-user environment and application.

DCF-110

©2007-2012 Acuity Brands Lighting, Inc.
All Rights Reserved. Rev. 02/27/12
Specifications subject to change without notice.



GOTHAM ARCHITECTURAL DOWNLIGHTING
1400 Lester Road Conyers Georgia 30012
P 800 315 4982 F 770 860 3129
www.gothamlighting.com