

FEATURES

OPTICAL SYSTEM

- Self-flanged, semi-specular or matte-diffuse reflector. Fluted vertical upper section works in conjunction with patented Bounding Ray™ Optical Principle design (U.S. Patent No. 5,800,050) to provide lamp before lamp image and smooth transition from top of reflector to bottom. Minimum flange matches reflector finish.
- Cross baffle offers superior optical cut-off with a clean aperture appearance.
- Hinged lampdoor seals upper trim for optimal fixture efficiency and the reduction of stray light in the plenum.

MECHANICAL SYSTEM

- 16-gauge galvanized steel mounting/plaster frame with integral yoke to retain optical system. Maximum 1-1/2" ceiling thickness.
- 16-gauge galvanized steel mounting bars with continuous 4" vertical adjustment are shipped pre-installed. Post-installation adjustment possible without the use of tools from above or below ceiling.
- Galvanized steel junction box with hinged access covers and spring latch. Two combination 1/2"-3/4" and three 1/2" knockouts for straight-through conduit runs. Capacity: 8 (4 in, 4 out) No. 12 AWG conductors, rated for 90°C.

ELECTRICAL SYSTEM

- Horizontally mounted, positive-latch thermoplastic socket.
- Class P, thermally protected, high-power-factor electronic ballast mounted to the junction box.
- Simply5™ technology available. **SIMPLY5™** LIGHTING INTELLIGENCE

LISTING

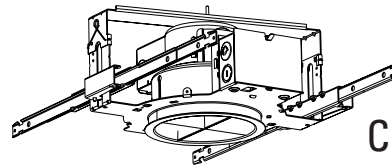
- Fixtures are UL Listed for thru-branch wiring, non-IC recessed mounting and damp locations. Listed and labeled to comply with Canadian standards.

WARRANTY

- One-year limited warranty. Full warranty terms located at www.acuitybrands.com/CustomerResources/Terms_and_conditions.aspx

Type

Catalog number

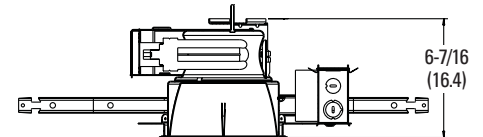


Compact Fluorescent Downlighting

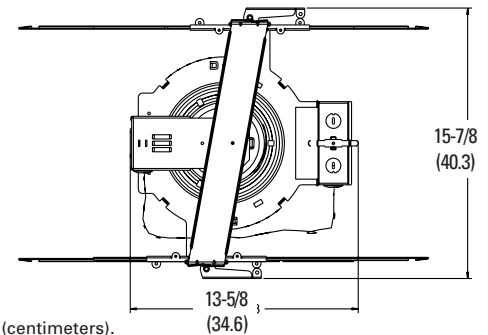
6" AF

Cross Baffle Reflector

Horizontal Lamp
Triple-Tube



Aperture: 6-1/4 (15.9)
Ceiling Opening: 7-1/8 (18.1)
Overlap Trim: 7-1/2 (19.1)



All dimensions are inches (centimeters).

ORDERING INFORMATION

Example: AF 1/26TRT 6CB CGL MVOLT

Choose the boldface catalog nomenclature that best suits your needs and write it on the appropriate line. Order accessories as separate catalog number (shipped separately).

AF

Series	Wattage/ Lamp	Finish	Lens type	Voltage	Ballast ²	Options				
AF	1/18TRT	(blank) Semi specular	(blank) No lens (standard)	MVOLT¹	(blank) Electronic ballast	ELR⁵ Emergency battery pack. Remote test switch provided				
	1/26TRT						ECOS¹ EcoSystem [®] electronic dimming ballast. Minimum dimming level 5%	ELRHL⁵ High lumen output emergency battery pack. Remote test switch provided		
	1/32TRT								ADEZ³ Advance Mark 10 [®] electronic dimming ballast. Minimum dimming level 5%	GMF³ Single, slow-blow fuse
	1/42TRT									
Aperture/ Trim color		S5⁴ SIMPLY5™ system ballast. Minimum dimming level 15%	TRW White painted flange							
6CB Clear				TRBL Black painted flange						
					WLP With 3500 K lamp (shipped separately)					
						LRC⁶ Provides compatibility with Lithonia Reloc [®] System. Lithonia Reloc System can be installed less this option with connectors provided by others. Access above ceiling required				
		CP⁷ Chicago plenum								
			BDP⁸ Ballast disconnect plug							
				HW Hardware for S5 system; replaces Reloc						
					NSD⁹ Sensor Switch nLight™ dimming relay					
		WRL¹⁰ Wattage restriction label								

NOTES

- Multi-volt electronic ballast capable of operating on any voltage from 120V through 277V, 50 or 60 Hz.
- For additional ballast options, refer to TECH-250.
- Available in 120V or 277V only.
- Simply5™ includes 9' S5 MLC Reloc wiring system (shipped separately). Available in 120V or 277V only. Not available with 18W. See simply5.net for more information.
- For dimensional changes, refer to TECH-140.
- For compatible Reloc systems, refer to TECH-110.
- Not available with emergency options.
- Meets codes that require in-fixture disconnect.
- One 5A relay with one 0-10 VDC dimming output, shipped installed. Requires additional nLight bus power supply (nPS80).
- Must specify wattage. Ex.: WRL32

Accessories

Order as separate catalog number.

SCA6 Sloped ceiling adapter. Degree of slope must be specified (10D, 15D, 20D, 25D, 30D). Ex: SCA6 10D

6" AF Cross Baffle Reflector

Distribution curve Distribution data Output data Coefficient of utilization Illuminance Data at 30" Above Floor for a Single Luminaire

AF 1/18TRT 6CB, (1) CF18DT/E/IN/835, 1200 lumens per lamp, 1.2 s/mh, Test no. LTL9601

90° 80 160 240 320 400 0°	From 0°	cp.	Lumens	Zone	Lumens	%lamp	p f ρ c p w	Coefficient of utilization						Mount height	Initial fc at beam center	50% beam angle 61.9°		10% beam angle 92.5°	
								80%		20%		50%				Beam diameter	fc at beam edge	Beam diameter	fc at beam edge
								50%	30%	50%	30%	50%	30%						
	0°	357		0°-30°	302.3	25.2	1	50	49	49	48	47	46	8'	11.8	6.6	5.9	11.5	1.2
	5°	354	33	0°-40°	438.9	36.6	2	46	44	45	43	44	42	10'	6.3	9.0	3.2	15.7	0.6
	15°	375	105	0°-60°	543.3	45.3	3	42	40	42	39	40	38	12'	4.0	11.4	2.0	19.9	0.4
	25°	375	164	0°-90°	545.0	45.4	4	39	36	38	36	37	35	14'	2.7	13.8	1.3	24.0	0.3
	35°	201	137	90°-180°	0.0	0.0	5	36	33	35	33	35	32	16'	2.0	16.2	1.0	28.2	0.2
	45°	142	89	0°-180°	545.0	45.4*	6	33	30	33	30	32	29						
	55°	11	16				7	31	28	30	27	30	27						
	65°	1	1	*Efficiency			8	29	25	28	25	28	25						
	75°	0	0				9	27	24	26	23	26	23						
	85°	0	0				10	25	22	25	22	24	22						
	90°	0	0																

AF 1/26TRT 6CB, (1) CF26DT/E/IN/835, 1800 lumens per lamp, 1.2 s/mh, Test no. LTL9600

90° 150 300 450 600 750 0°	From 0°	cp.	Lumens	Zone	Lumens	%lamp	p f ρ c p w	Coefficient of utilization						Mount height	Initial fc at beam center	50% beam angle 60.5°		10% beam angle 92.2°	
								80%		20%		50%				Beam diameter	fc at beam edge	Beam diameter	fc at beam edge
								50%	30%	50%	30%	50%	30%						
	0°	634		0°-30°	514.8	28.6	1	57	55	56	54	54	53	8'	21.0	6.4	10.5	11.4	2.1
	5°	680	61	0°-40°	746.9	41.5	2	52	50	51	49	50	48	10'	11.3	8.8	5.6	15.6	1.1
	15°	718	180	0°-60°	928.1	51.6	3	48	45	47	45	46	44	12'	7.0	11.1	3.5	19.7	0.7
	25°	627	274	0°-90°	931.1	51.7	4	44	41	44	41	42	40	14'	4.8	13.4	2.4	23.9	0.5
	35°	314	232	90°-180°	0.0	0.0	5	41	37	40	37	39	37	16'	3.5	15.8	1.7	28.0	0.3
	45°	242	155	0°-180°	931.1	51.7*	6	38	34	37	34	37	34						
	55°	15	26	*Efficiency			7	35	32	35	31	34	31						
	65°	2	2				8	33	29	32	29	32	29						
	75°	1	1				9	30	27	30	27	30	27						
	85°	0	0				10	28	25	28	25	28	25						
	90°	0	0																

AF 1/32TRT 6CB, (1) CF32DT/E/IN/835, 2400 lumens per lamp, 1.2 s/mh, Test no. LTL9604

90° 160 320 480 640 800 0°	From 0°	cp.	Lumens	Zone	Lumens	%lamp	p f ρ c p w	Coefficient of utilization						Mount height	Initial fc at beam center	50% beam angle 61.4°		10% beam angle 92.1°	
								80%		20%		50%				Beam diameter	fc at beam edge	Beam diameter	fc at beam edge
								50%	30%	50%	30%	50%	30%						
	0°	707		0°-30°	579.7	24.2	1	49	48	48	47	46	45	8'	23.4	6.5	11.7	11.4	2.3
	5°	745	68	0°-40°	856.1	35.7	2	45	43	44	42	43	41	10'	12.6	8.9	6.3	15.6	1.3
	15°	710	200	0°-60°	1066.6	44.4	3	41	39	41	38	39	38	12'	7.8	11.3	3.9	19.7	0.8
	25°	640	312	0°-90°	1070.5	44.6	4	38	35	38	35	37	34	14'	5.3	13.7	2.7	23.9	0.5
	35°	436	276	90°-180°	0.0	0.0	5	35	32	35	32	34	31	16'	3.9	16.0	1.9	28.0	0.4
	45°	246	177	0°-180°	1070.5	44.6*	6	32	29	32	29	31	29						
	55°	36	34	*Efficiency			7	30	27	30	27	29	27						
	65°	2	3				8	28	25	28	25	27	24						
	75°	1	1				9	26	23	26	23	25	23						
	85°	0	0				10	24	21	24	21	24	21						
	90°	0	0																

AF 1/42TRT 6CB, (1) CF42DT/E/IN/835, 3200 lumens per lamp, 1.2 s/mh, Test no. LTL9605

90° 190 380 570 760 950 0°	From 0°	cp.	Lumens	Zone	Lumens	%lamp	p f ρ c p w	Coefficient of utilization						Mount height	Initial fc at beam center	50% beam angle 62.0°		10% beam angle 92.1°	
								80%		20%		50%				Beam diameter	fc at beam edge	Beam diameter	fc at beam edge
								50%	30%	50%	30%	50%	30%						
	0°	876		0°-30°	735.4	23.0	1	47	46	46	45	44	43	8'	29.0	6.6	14.5	11.4	2.9
	5°	903	83	0°-40°	1095.1	34.2	2	43	41	42	40	41	39	10'	15.6	9.0	7.8	15.6	1.6
	15°	918	257	0°-60°	1360.0	42.5	3	40	37	39	37	38	36	12'	9.7	11.4	4.9	19.7	1.0
	25°	837	395	0°-90°	1364.7	42.6	4	36	34	36	33	35	33	14'	6.6	13.8	3.3	23.9	0.7
	35°	590	360	90°-180°	0.0	0.0	5	34	31	33	30	32	30	16'	4.8	16.2	2.4	28.0	0.5
	45°	388	225	0°-180°	1364.7	42.6*	6	31	28	31	28	30	28						
	55°	66	40	*Efficiency			7	29	26	28	26	28	25						
	65°	4	4				8	27	24	26	24	26	23						
	75°	1	1				9	25	22	25	22	24	22						
	85°	0	0				10	23	20	23	20	23	20						
	90°	0	0																

NOTES:

- For electrical characteristics, consult Technical Bulletins tab.
- Tested to current IES and NEMA standards under stabilized laboratory conditions. Various operating factors can cause differences between laboratory data and actual field measurements. Dimensions and specifications are based on the most current available data and are subject to change without notice.
- Actual performance may differ as a result of end-user environment and application.

DCF-120

©2005, 2011 Acuity Brands Lighting, Inc.
All Rights Reserved. Rev. 12/11
Specifications subject to change without notice.



GOTHAM ARCHITECTURAL DOWNLIGHTING
1400 Lester Road Conyers Georgia 30012
P 800 315 4982 F 770 860 3129
www.gothamlighting.com