

# FEATURES

## OPTICAL SYSTEM

- Self-flanged, semi-specular or matte-diffuse reflector.
- Patented Bounding Ray™ Optical Principle design (U.S. Patent No. 5,800,050) provides lamp before lamp image and smooth transition from top of reflector to bottom. Minimum flange matches reflector finish.
- Highly reflective outer kicker reflector provides smooth, uniform illumination floor to ceiling, edge to edge. For optimal uniformity, the recommended luminaire spacing is 3' from the wall and 3' centers.

## MECHANICAL SYSTEM

- 16-gauge galvanized steel mounting/plaster frame with integral yoke to retain optical system. Maximum 1-1/4" ceiling thickness.
- 16-gauge galvanized steel mounting bars with continuous 4" vertical adjustment are shipped pre-installed. Post-installation adjustment possible without the use of tools from above or below the ceiling.
- Galvanized steel junction box with bottom-hinged access covers and spring latch. Two combination 1/2"-3/4" and two 1/2" knockouts for straight-through conduit runs. Capacity: 8 (4 in, 4 out) No. 12 AWG conductors rated for 90°C.

## ELECTRICAL SYSTEM

- Horizontally mounted, positive latch thermoplastic socket(s).
- Class P, thermally protected, high-power-factor ballast(s) mounted to the junction box.
- SIMPLY5™ technology available. SIMPLY5™ LIGHTING INTELLIGENCE

## LISTING

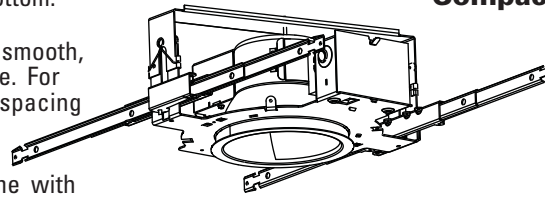
- Fixtures are UL Listed for thru-branch wiring, non-IC recessed mounting and damp locations. Listed and labeled to comply with Canadian standards.

## WARRANTY

- One-year limited warranty. Full warranty terms located at [www.acuitybrands.com/CustomerResources/Terms\\_and\\_conditions.aspx](http://www.acuitybrands.com/CustomerResources/Terms_and_conditions.aspx)

Type

Catalog number

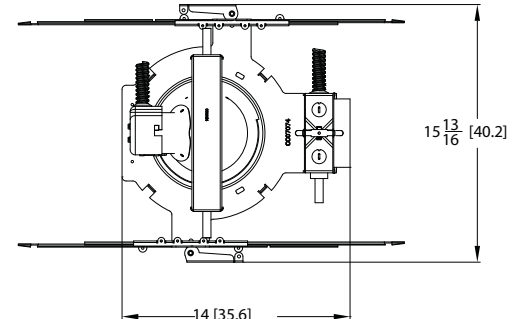


## Compact Fluorescent Lighting

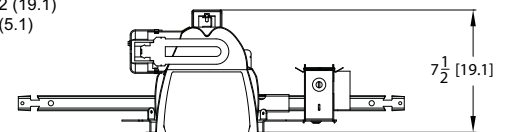
# 6" AFW

## Open Wallwash

Horizontal Lamp  
Triple-Tube



Aperture: 6-1/4 (15.9)  
Ceiling Opening: 7-1/8 (18.1)  
Overlap Trim: 7-1/2 (19.1)  
Lens Recess: 2.0 (5.1)



All dimensions are inches (centimeters).

# ORDERING INFORMATION

Choose the boldface catalog nomenclature that best suits your needs and write it on the appropriate line.

Example: **AFW 1/26TRT 6AR MVOLT**

## AFW

Series	Wattage/Lamp	Aperture/Trim color	Finish	Voltage	Ballast <sup>3</sup>	Options
<b>AFW</b>	<b>1/13TRT</b> <b>1/18TRT</b> <b>1/26TRT</b> <b>1/32TRT</b> <b>1/42TRT</b>	<b>6AR</b> Clear <b>6PR</b> Pewter <b>6WTR</b> Wheat <b>6WR<sup>1</sup></b> White painted	(blank) Semi-specular <b>LD</b> Matte-diffuse	<b>MVOLT<sup>2</sup></b> <b>120</b> <b>277</b> <b>347</b>	(blank) Electronic ballast <b>ECOS<sup>2,4</sup></b> EcoSystem® electronic dimming ballast. Minimum dimming level 5%. <b>ADEZ<sup>4,5</sup></b> Advance Mark 10® electronic dimming ballast. Minimum dimming level 5%. <b>ADZT<sup>4,5</sup></b> Advance Mark 7® electronic dimming ballast. Minimum dimming level 5%. <b>S5<sup>5</sup></b> SIMPLY5™ system ballast. Minimum dimming level 15%	<b>WLP</b> 3500 K lamp (shipped separately) <b>TRW</b> White painted flange <b>EL<sup>5,7</sup></b> Emergency battery pack with integral test switch <b>ELR<sup>5,7</sup></b> Emergency battery pack. Remote test switch provided <b>ELHL<sup>5,7</sup></b> High lumen output emergency battery pack. Integral test switch provided <b>ELRHL<sup>5,7</sup></b> High lumen output emergency battery pack. Remote test switch provided <b>GMF<sup>5</sup></b> Single, slow-blow fuse <b>GLR<sup>5</sup></b> Single, fast blow fuse <b>DWW<sup>8</sup></b> Double wallwash <b>LRC<sup>9</sup></b> Provides compatibility with Lithonia Reloc System <b>HW</b> Hardwire for S5 system; replaces Reloc <b>CP<sup>10</sup></b> Chicago plenum <b>BDP<sup>10,11</sup></b> Ballast disconnect plug <b>NSD<sup>12</sup></b> Sensor Switch nLight™ dimming relay <b>WRL<sup>13</sup></b> Wattage restriction label
				<b>Lens type</b>		
				(blank) No lens <b>CGL</b> Clear glass lens <b>PCL</b> Clear polycarbonate lens		

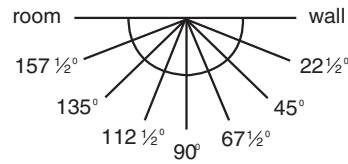
## NOTES

- 1 Not available with finishes.
- 2 Multi-volt electronic ballast capable of operating on any line voltage from 120V through 277V, 50 or 60Hz.
- 3 For additional ballast types, refer to TECH-250.
- 4 Not available with 13W.
- 5 Available in 120V or 277V only.
- 6 SIMPLY5™ includes 9' S5 MLC Reloc wiring system (shipped separately). Available in 120V or 277V only. Not available in 13 W or 18W. See simply5.net for more information.
- 7 For dimensional changes, refer to TECH-140.
- 8 Not available with lens.
- 9 For compatible Reloc systems, refer to TECH-110.
- 10 Not available with EL, ELR, ELHL or ELRHL option.
- 11 Meets codes that require in-fixture disconnect.
- 12 One 5A relay with one 0-10 VDC dimming output, shipped installed. Requires additional nLight bus power supply (nPS80).
- 13 Must specify wattage. Ex.: WRL32

# 6" AFW Wallwash

## TECHNICAL INFORMATION

Footcandle values are initial and tables are based on minimum of six units. For fixture-to-wall distance other than those shown, use maximum of one-to-one spacing (distance between fixtures not more than distance to wall) for best results.



### Fixture/lamp

### Candlepower data

### Footcandle values

#### AFW 1/42TRT 6AR

(1) CF42DT/E/IN/830 lamp

3200 total rated lumens

Test no. LTL17396

Vertical Angle	Plane angle							
	Wall	22.5	45	67.5	90	112.5	135	157.5
0	1168	1168	1168	1168	1168	1168	1168	1168
5	1133	1136	1132	1117	1109	1112	1120	1120
15	953	938	919	896	877	901	935	955
25	793	779	733	669	616	618	665	728
35	559	549	520	468	425	429	441	457
45	301	302	299	292	289	268	244	218
55	158	156	142	129	119	96	64	50
65	79	77	64	48	31	15	5	2
75	43	41	33	24	13	6	1	0
85	7	7	8	5	2	0	0	0
90	0	0	0	0	0	0	0	0

Wallwash Illuminance Study (fc)									
Illuminance on wall from 6 luminaires									
ft. from ceiling	Luminaire mounted 3 ft. from wall			Luminaire mounted 3 ft. from wall			Luminaire mounted 3 ft. from wall		
	3 ft. between luminaires			4 ft. between luminaires			5 ft. between luminaires		
	3	3.5	4	3	3.5	4	3	3.5	4
1	7	7	7	6	4	6	6	3	6
2	13	12	13	11	8	11	10	5	10
3	18	18	18	15	12	15	13	9	13
4	21	21	21	17	15	17	14	11	14
5	20	20	20	15	15	15	13	11	13
6	17	17	17	13	13	13	11	10	11
7	14	14	14	11	11	11	9	9	9
8	12	12	12	9	9	9	7	7	7
9	10	10	10	8	8	8	6	6	6
10	8	8	8	6	6	6	5	5	5

#### NOTES:

- Tested to current IES and NEMA standards under stabilized laboratory conditions. Various operating factors can cause differences between laboratory data and actual field measurements. Dimensions and specifications are based on the most current available data and are subject to change without notice.
- Consult factory or IES file for other photometric reports.
- Actual performance may differ as a result of end-user environment and application.

#### DCF-130

©2003-2012 Acuity Brands Lighting, Inc.  
All Rights Reserved. Rev. 02/27/12  
Specifications subject to change without notice.

**gotham**  
An Acuity Brands Company

GOTHAM ARCHITECTURAL DOWNLIGHTING  
1400 Lester Road Conyers Georgia 30012  
P 800 315 4982 F 770 860 3129  
www.gothamlighting.com