

FEATURES

OPTICAL SYSTEM

- Self-flanged, semi-specular, matte-diffuse, or specular reflector. Patented Bounding Ray™ Optical Principle design (U.S. Patent No. 5,800,050) provides lamp before lamp image and smooth transition from top of the reflector to bottom. Minimum flange matches reflector finish.

MECHANICAL SYSTEM

- 16-gauge galvanized steel mounting/plaster frame with integral yoke to retain optical system. Maximum 2-1/4" ceiling thickness.
- 16-gauge galvanized steel mounting bars with continuous 4" vertical adjustment are shipped pre-installed. Post-installation adjustment possible without the use of tools from above or below ceiling.
- Galvanized steel J-box with bottom-hinged access covers and spring latch. Two combination 1/2"-3/4" and three 1/2" knockouts for straight-through conduit runs. Capacity: 8 (4 in, 4 out) No. 12 AWG conductors, rated for 90°C.

ELECTRICAL SYSTEM

- Horizontally mounted, positive-latch, thermoplastic socket.
- Class P, thermally protected high-power-factor ballast(s) mounted to the junction box.
- Simply5™ technology available.

LISTING

- Fixtures are UL listed for thru-branch wiring, non-IC recessed mounting and damp locations. Listed and labeled to comply with Canadian standards.

WARRANTY

- One-year limited warranty. Full warranty terms located at www.acuitybrands.com/CustomerResources/Terms_and_conditions.aspx

Type

Catalog number

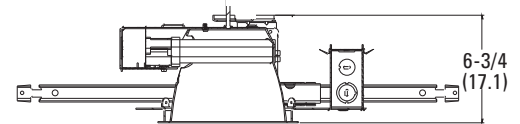
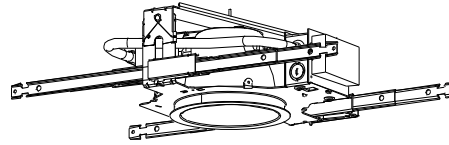
.....

Compact Fluorescent Downlights

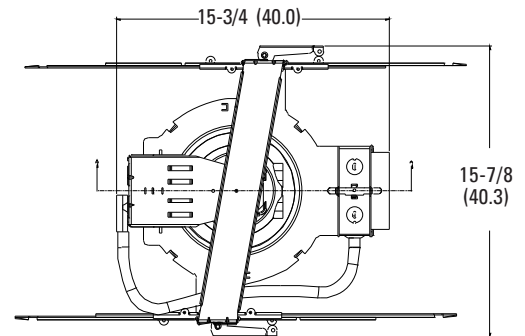
6" AF

Open Reflector

Horizontal Lamp
Double Twin-Tube



Aperture: 6-1/4 (15.9)
 Ceiling opening: 7-1/8 (18.1)
 Overlap trim: 7-5/8 (19.4)



All dimensions are inches (centimeters).

ORDERING INFORMATION

Choose the boldface catalog nomenclature that best suits your needs and write it on the appropriate line.
 Order accessories as separate catalog numbers (shipped separately).

Example: **AF2/18DTT6AR MVOLT**

AF																																																																
Series	Wattage/Lamp	Aperture/Trim color		Finish	Voltage	Ballast ³		Options																																																								
AF	1/13DTT 2/13DTT 1/18DTT 2/18DTT 1/26DTT 2/26DTT	6AR	Clear	(blank)	Semi-Specular	MVOLT ²	(blank)	Electronicballast	DS	Dual switching																																																						
		6PR	Pewter	LD	Matte-diffuse	120	ECOS ^{2,4}	EcoSystem [®] electronic dimming ballast. Minimum dimming level 5%	EL ⁵	Emergency battery pack. Integral test switch provided																																																						
		6WTR	Wheat			277	ADEZ ^{4,5}	Advance Mark 10 [®] electronic dimming ballast. Minimum dimming level 5%	ELR ⁶	Emergency battery pack. Remote test switch provided																																																						
		6BC ¹	Black cone			347	ADZT ^{4,5}	Advance Mark 7 [®] electronic dimming ballast. Minimum dimming level 5%	GMF ⁷	Single slow-blow fuse																																																						
		6MB ¹	Black baffle	Accessories			S5 ⁸	SIMPLY5™ system ballast. Minimum dimming level 15%	WLP	With 3500 K lamp (shipped separately)																																																						
		6WR ¹	White painted	Order as separate catalog number.					TRW	White painted flange. Standard on MB and WB																																																						
		6WB ¹	White baffle	SCA6 Sloped ceiling adapter. Degree of slope must be specified (10D, 15D, 20D, 25D, 30D). Ex: SCA6 10D.					TRBL	Black painted flange																																																						
NOTES																																																																
1 Not available with finishes.																																																																
2 Multi-volt electronic ballast capable of operating on any voltage from 120V through 277V, 50 or 60 Hz.																																																																
3 For additional ballast types, refer to TECH-250.																																																																
4 Not available with 13DTT.																																																																
5 Available in 120V or 277V only.																																																																
6 Simply5™ includes 9" S5 MLC Reloc wiring system (shipped separately). Available in 120V or 277V only. Not available with 13W or 18W. See simply5.net for more information.																																																																
7 For compatible Reloc systems, refer to TECH-110.																																																																
8 For dimensional changes, refer to TECH-140.																																																																
9 Not available with emergency options.																																																																
10 Meets codes that require in-fixture disconnect.																																																																
11 One 5A relay with one 0-10 VDC dimming output, shipped installed. Requires additional nLight bus power supply (nPS80).																																																																
12 Must specify wattage. EX.:WRL32																																																																
<table border="0" style="width:100%"> <tr> <td style="width:33%">DS</td> <td>Dual switching</td> <td style="width:33%">EL⁵</td> <td>Emergency battery pack. Integral test switch provided</td> <td style="width:33%">GMF⁷</td> <td>Single slow-blow fuse</td> </tr> <tr> <td>ELR⁶</td> <td>Emergency battery pack. Remote test switch provided</td> <td>WLP</td> <td>With 3500 K lamp (shipped separately)</td> <td>TRW</td> <td>White painted flange. Standard on MB and WB</td> </tr> <tr> <td>GMF⁷</td> <td>Single slow-blow fuse</td> <td>TRBL</td> <td>Black painted flange</td> <td>TRBL</td> <td>Black painted flange</td> </tr> <tr> <td>WLP</td> <td>With 3500 K lamp (shipped separately)</td> <td>LR⁷</td> <td>Provides compatibility with Lithonia Reloc[®] System. Lithonia Reloc System can be installed less option with connectors provided by others. Access above ceiling required</td> <td>LR⁷</td> <td>Provides compatibility with Lithonia Reloc[®] System. Lithonia Reloc System can be installed less option with connectors provided by others. Access above ceiling required</td> </tr> <tr> <td>TRW</td> <td>White painted flange. Standard on MB and WB</td> <td>HW</td> <td>Hardwire for S5 system; replaces Reloc</td> <td>HW</td> <td>Hardwire for S5 system; replaces Reloc</td> </tr> <tr> <td>TRBL</td> <td>Black painted flange</td> <td>CP⁹</td> <td>Chicago plenum</td> <td>CP⁹</td> <td>Chicago plenum</td> </tr> <tr> <td>LR⁷</td> <td>Provides compatibility with Lithonia Reloc[®] System. Lithonia Reloc System can be installed less option with connectors provided by others. Access above ceiling required</td> <td>BDP¹⁰</td> <td>Ballast disconnect plug</td> <td>BDP¹⁰</td> <td>Ballast disconnect plug</td> </tr> <tr> <td>LR⁷</td> <td>Provides compatibility with Lithonia Reloc[®] System. Lithonia Reloc System can be installed less option with connectors provided by others. Access above ceiling required</td> <td>NSD¹¹</td> <td>Sensor Switch nLight™ dimming relay</td> <td>NSD¹¹</td> <td>Sensor Switch nLight™ dimming relay</td> </tr> <tr> <td>HW</td> <td>Hardwire for S5 system; replaces Reloc</td> <td>WRL¹²</td> <td>Wattage restriction label</td> <td>WRL¹²</td> <td>Wattage restriction label</td> </tr> </table>											DS	Dual switching	EL⁵	Emergency battery pack. Integral test switch provided	GMF⁷	Single slow-blow fuse	ELR⁶	Emergency battery pack. Remote test switch provided	WLP	With 3500 K lamp (shipped separately)	TRW	White painted flange. Standard on MB and WB	GMF⁷	Single slow-blow fuse	TRBL	Black painted flange	TRBL	Black painted flange	WLP	With 3500 K lamp (shipped separately)	LR⁷	Provides compatibility with Lithonia Reloc [®] System. Lithonia Reloc System can be installed less option with connectors provided by others. Access above ceiling required	LR⁷	Provides compatibility with Lithonia Reloc [®] System. Lithonia Reloc System can be installed less option with connectors provided by others. Access above ceiling required	TRW	White painted flange. Standard on MB and WB	HW	Hardwire for S5 system; replaces Reloc	HW	Hardwire for S5 system; replaces Reloc	TRBL	Black painted flange	CP⁹	Chicago plenum	CP⁹	Chicago plenum	LR⁷	Provides compatibility with Lithonia Reloc [®] System. Lithonia Reloc System can be installed less option with connectors provided by others. Access above ceiling required	BDP¹⁰	Ballast disconnect plug	BDP¹⁰	Ballast disconnect plug	LR⁷	Provides compatibility with Lithonia Reloc [®] System. Lithonia Reloc System can be installed less option with connectors provided by others. Access above ceiling required	NSD¹¹	Sensor Switch nLight™ dimming relay	NSD¹¹	Sensor Switch nLight™ dimming relay	HW	Hardwire for S5 system; replaces Reloc	WRL¹²	Wattage restriction label	WRL¹²	Wattage restriction label
DS	Dual switching	EL⁵	Emergency battery pack. Integral test switch provided	GMF⁷	Single slow-blow fuse																																																											
ELR⁶	Emergency battery pack. Remote test switch provided	WLP	With 3500 K lamp (shipped separately)	TRW	White painted flange. Standard on MB and WB																																																											
GMF⁷	Single slow-blow fuse	TRBL	Black painted flange	TRBL	Black painted flange																																																											
WLP	With 3500 K lamp (shipped separately)	LR⁷	Provides compatibility with Lithonia Reloc [®] System. Lithonia Reloc System can be installed less option with connectors provided by others. Access above ceiling required	LR⁷	Provides compatibility with Lithonia Reloc [®] System. Lithonia Reloc System can be installed less option with connectors provided by others. Access above ceiling required																																																											
TRW	White painted flange. Standard on MB and WB	HW	Hardwire for S5 system; replaces Reloc	HW	Hardwire for S5 system; replaces Reloc																																																											
TRBL	Black painted flange	CP⁹	Chicago plenum	CP⁹	Chicago plenum																																																											
LR⁷	Provides compatibility with Lithonia Reloc [®] System. Lithonia Reloc System can be installed less option with connectors provided by others. Access above ceiling required	BDP¹⁰	Ballast disconnect plug	BDP¹⁰	Ballast disconnect plug																																																											
LR⁷	Provides compatibility with Lithonia Reloc [®] System. Lithonia Reloc System can be installed less option with connectors provided by others. Access above ceiling required	NSD¹¹	Sensor Switch nLight™ dimming relay	NSD¹¹	Sensor Switch nLight™ dimming relay																																																											
HW	Hardwire for S5 system; replaces Reloc	WRL¹²	Wattage restriction label	WRL¹²	Wattage restriction label																																																											

6" AF Open Reflector

Distribution curve	Distribution data	Output data	Coefficient of utilization	Illuminance Data at 30" Above Floor for a Single Luminaire
--------------------	-------------------	-------------	----------------------------	--

AF 2/18DTT 6AR, (2) CF18DD/E/835 lamp, 2500 total rated lumens, 1.4 s/mh, Test no. LTL10964

Mount height	Initial fc at beam center	50% beam angle 67.9°		10% beam angle 97.6°	
		Beam diameter	fc at beam edge	Beam diameter	fc at beam edge
8'	21.6	7.4'	10.8	12.6'	2.2
10'	11.6	10.1'	5.8	17.1'	1.2
12'	7.2	12.8'	3.6	21.7'	0.7
14'	4.9	15.5'	2.5	26.3'	0.5
16'	3.6	18.2'	1.8	30.9'	0.4

AF 2/26DTT 6AR, (2) CF26DD/E/835 lamp, 3600 total rated lumens, 1.3 s/mh, Test no. LTL7794

Mount height	Initial fc at beam center	50% beam angle 64.2°		10% beam angle 98.4°	
		Beam diameter	fc at beam edge	Beam diameter	fc at beam edge
8'	28.7	6.9'	14.3	12.7'	2.9
10'	15.4	9.4'	7.7	17.4'	1.5
12'	9.6	11.9'	4.8	22.0'	1.0
14'	6.6	14.4'	3.3	26.7'	0.7
16'	4.8	16.9'	2.4	31.3'	0.5

AF 2/26DTT 6MB, (2) CF26DD/E/835 lamp, 3600 total rated lumens, 1.2 s/mh, Test no. LTL7796

Mount height	Initial fc at beam center	50% beam angle 59.4°		10% beam angle 97.4°	
		Beam diameter	fc at beam edge	Beam diameter	fc at beam edge
8'	25.2	6.3'	12.6	12.5'	2.5
10'	13.5	8.5'	6.8	17.1'	1.4
12'	8.4	10.8'	4.2	21.6'	0.8
14'	5.8	13.1'	2.9	26.2'	0.6
16'	4.2	15.4'	2.1	30.7'	0.4

AF 2/26DTT 6BC, (1) CF26DD/E/835 lamp, 3600 total rated lumens, 1.2 s/mh, Test no. LTL7795

Mount height	Initial fc at beam center	50% beam angle 60.1°		10% beam angle 97.7°	
		Beam diameter	fc at beam edge	Beam diameter	fc at beam edge
8'	25.3	6.4'	12.6	12.6'	2.5
10'	13.6	8.7'	6.8	17.2'	1.4
12'	8.5	11.0'	4.2	21.7'	0.8
14'	5.8	13.3'	2.9	26.3'	0.6
16'	4.2	15.6'	2.1	30.9'	0.4

ENERGY (Calculated in accordance with NEMA standard LE-5A)					
LER.DOL	Annual* Energy Cost	Lamps	Lamp Lumens	Ballast Factor	Input Watts
44	\$5.51	(2) 18W DTT	2500	0.98	38
40	\$6.08	(2) 26W DTT	3200	1.00	55

*Comparative yearly lighting energy cost per 1000 lumens

NOTES:

- For electrical characteristics consult Technical Bulletins tab.
- Tested to current IES and NEMA standards under stabilized laboratory conditions. Various operating factors can cause differences between laboratory data and actual field measurements. Dimensions and specifications are based on the most current available data and are subject to change without notice.
- Actual performance may differ as a result of end-user environment and application.

DCF-150

©2003-2012 Acuity Brands Lighting, Inc.
All Rights Reserved. Rev. 02/12
Specifications subject to change without notice.

gotham
An Acuity Brands Company

GOTHAM ARCHITECTURAL DOWNLIGHTING
1400 Lester Road Conyers Georgia 30012
P 800 315 4982 F 770 860 3129
www.gothamlighting.com