

# FEATURES

## OPTICAL SYSTEM

- Self-flanged, semi-specular or matte-diffuse reflector. Patented Bounding Ray™ Optical Principle design (U.S. Patent No. 5,800,050) provides lamp before lamp image and smooth transition from top of reflector to bottom. Minimum flange matches reflector finish.
- Highly reflective outer kicker reflector provides smooth, uniform illumination floor to ceiling, edge to edge. Inner cone is contoured to eliminate room-side flash. For optimal uniformity, the recommended luminaire spacing is 3' from the wall and 3' centers.

## MECHANICAL SYSTEM

- 16-gauge galvanized steel mounting/plaster frame with integral yoke to retain optical system. Maximum 2-1/4" ceiling thickness.
- 16-gauge galvanized steel mounting bars with continuous 4" vertical adjustment are shipped pre-installed. Post-installation adjustment possible without the use of tools from above or below the ceiling.
- Galvanized steel junction box with bottom-hinged access covers and spring latch. Two combination 1/2"-3/4" and two 1/2" knockouts for straight-through conduit runs. Capacity: 8 (4 in, 4 out) No. 12 AWG conductors rated for 90°C.

## ELECTRICAL SYSTEM

- Horizontally mounted, positive-latch thermoplastic socket(s).
- Class P, thermally protected, high-power-factor ballast(s) mounted to the junction box.
- Simply5™ technology available. **SIMPLY5™** LIGHTING INTELLIGENCE

## LISTING

- Fixtures are UL Listed for thru-branch wiring, non-IC recessed mounting and damp locations. Listed and labeled to comply with Canadian standards.

## WARRANTY

- One-year limited warranty. Full warranty terms located at [www.acuitybrands.com/CustomerResources/Terms\\_and\\_conditions.aspx](http://www.acuitybrands.com/CustomerResources/Terms_and_conditions.aspx)

Type

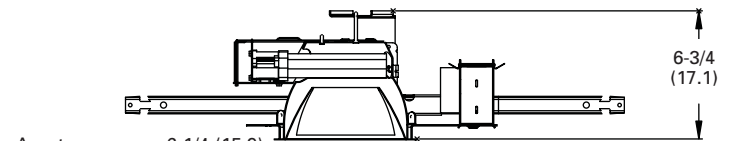
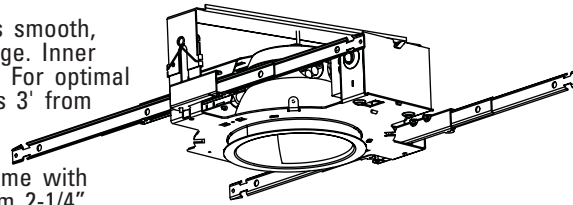
Catalog number

## Compact Fluorescent Downlights

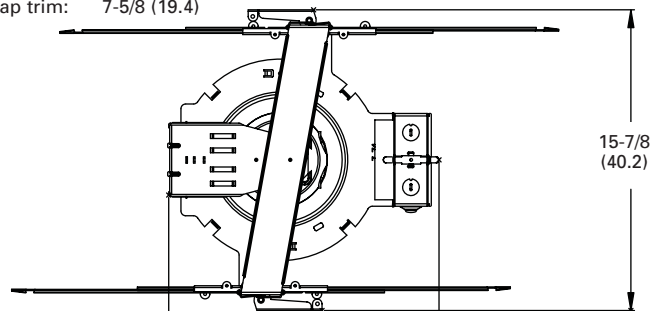
# 6" AFW

## Open Wallwash

Horizontal Lamp  
Double Twin-Tube



Aperture: 6-1/4 (15.9)  
Ceiling opening: 7-1/8 (18.1)  
Overlap trim: 7-5/8 (19.4)



All dimensions are inches (centimeters).

# ORDERING INFORMATION

Example: **AFW 1/26DTT 6AR 120 MVOLT WLP**

Choose the boldface catalog nomenclature that best suits your needs and write it on the appropriate line.

## AFW

Series	Wattage/Lamp	Aperture/Trim color	Finish	Lens type	Voltage	Ballast <sup>3</sup>	Options
<b>AFW</b>	<b>1/13DTT</b>	<b>6AR</b> Clear	(blank) Semi-specular	(blank) No lens	<b>MVOLT<sup>2</sup></b>	(blank) Electronic ballast	<b>WLP</b> 3500 K lamp (shipped separately)
	<b>2/13DTT</b>	<b>6PR</b> Pewter		<b>CGL</b> Clear glass lens	<b>120</b>	<b>ECOS<sup>2,4</sup></b> EcoSystem® electronic dimming ballast. Minimum dimming level 5%	<b>TRW</b> White painted flange
	<b>1/18DTT</b>	<b>6WTR</b> Wheat	<b>LD</b> Matte-diffuse	<b>PCL</b> Clear polycarbonate lens	<b>277</b>		<b>ELR<sup>7</sup></b> Emergency battery pack. Remote test switch provided
	<b>2/18DTT</b>	<b>6WR<sup>1</sup></b> White painted			<b>347</b>	<b>ADEZ<sup>4,5</sup></b> Advance Mark 10® electronic dimming ballast. Minimum dimming level 5%	<b>EL<sup>7</sup></b> Emergency battery pack with integral test switch
	<b>1/26DTT</b>						<b>ELHL<sup>5,7</sup></b> High lumen output emergency battery pack. Integral test switch provided
	<b>2/26DTT</b>					<b>ADZT<sup>4,5</sup></b> Advance Mark 7® electronic dimming ballast. Minimum dimming level 5%	<b>ELRHL<sup>7</sup></b> High lumen output emergency battery pack. Remote test switch provided
					<b>GMF<sup>5</sup></b> Single, slow-blow fuse		
					<b>S5<sup>6</sup></b> SIMPLY5™ system ballast. Minimum dimming level 15%	<b>GLR<sup>5</sup></b> Single, fast-blow fuse	
						<b>LRC<sup>8</sup></b> Provides compatibility with Lithonia Reloc® System. Lithonia Reloc System can be installed less option with connectors provided by others. Access above ceiling required	
						<b>HW</b> Hardwire for S5 system; replaces Reloc	
						<b>GSKT</b> Foam gasketing	
						<b>CP<sup>9</sup></b> Chicago plenum	
						<b>DS</b> Dual switching	
						<b>BDP<sup>10</sup></b> Ballast disconnect plug	
						<b>NSD<sup>11</sup></b> Sensor Switch nLight™ dimming relay	
						<b>WRL<sup>12</sup></b> Wattage restriction label	

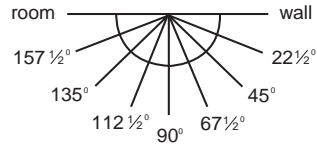
## NOTES

- 1 Not available with finishes.
- 2 Multi-volt electronic ballast capable of operating on any voltage from 120V through 277V, 50 or 60 Hz.
- 3 For additional ballast types, refer to TECH-250.
- 4 Not available with 13DTT.
- 5 Available in 120V or 277V only.
- 6 Simply5™ includes 9' S5 MLC Reloc wiring system (shipped separately). Available in 120V or 277V only. Available in 26W only. See [simply5.net](http://simply5.net) for more information.
- 7 For dimensional changes, refer to TECH-140
- 8 For compatible Reloc systems, refer to TECH-110.
- 9 Not available with emergency options.
- 10 Meets codes that require in-fixture disconnect.
- 11 One 5A relay with one 0-10 VDC dimming output, shipped installed. Requires additional nLight bus power supply (nPS80).
- 12 Must specify wattage. Ex.: WRL32

# 6" AFW Open Wallwash

## TECHNICAL INFORMATION

Footcandle values are initial and tables are based on minimum of six units.  
For fixture-to-wall distance other than those shown, use maximum of one-to-one spacing (distance between fixtures not more than distance to wall) for best results.



### Fixture/lamp

### Candlepower data

### Footcandle values

#### AFW 2/18DTT 6AR

(2) CF18DD/E/835 lamp

1250 rated lumens per lamp

Test no. LTL17609

Vertical Angle	Plane angle							
	Wall	22.5	45	67.5	90	112.5	135	157.5
0	834	834	834	834	834	834	834	834
5	806	815	815	815	819	826	838	844
15	734	723	699	677	663	670	680	692
25	557	559	538	510	482	473	472	484
35	403	393	368	339	316	305	300	304
45	248	238	208	179	159	148	148	154
55	124	115	96	70	48	35	30	27
65	70	64	52	36	21	10	3	1
75	36	32	24	16	9	3	0	0
85	8	7	4	3	1	0	0	0
90	0	0	0	0	0	0	0	0

ft. from ceiling	Wallwash Illuminance Study (fc)								
	Illuminance on wall from 6 luminaires								
	Luminaire mounted 3 ft. from wall			Luminaire mounted 3 ft. from wall			Luminaire mounted 3 ft. from wall		
	3 ft. between luminaires			4 ft. between luminaires			5 ft. between luminaires		
	3	3.5	4	3	3.5	4	3	3.5	4
1	6	5	6	5	3	5	5	2	5
2	11	10	11	9	7	9	8	5	8
3	15	14	15	12	9	12	11	6	11
4	15	15	15	12	11	12	10	8	10
5	14	14	14	11	10	11	9	8	9
6	12	12	12	9	9	9	8	7	8
7	10	10	10	8	8	8	6	6	6
8	8	8	8	7	6	7	5	5	5
9	7	7	7	6	5	6	5	4	5
10	6	6	6	5	5	5	4	4	4

#### AFW 2/26DTT 6AR

(2) CF26DD/E/835 lamp

1800 rated lumens per lamp

Test no. LTL17610

Vertical Angle	Plane angle							
	Wall	22.5	45	67.5	90	112.5	135	157.5
0	1152	1152	1152	1152	1152	1152	1152	1152
5	1109	1124	1126	1128	1133	1144	1158	1167
15	996	975	946	925	915	929	949	973
25	759	757	730	700	675	668	664	684
35	551	535	504	470	448	432	426	428
45	341	324	290	255	231	216	210	211
55	177	163	137	106	74	52	41	35
65	101	92	74	52	31	14	4	1
75	53	46	35	23	12	5	1	0
85	11	9	6	3	1	0	0	0
90	0	0	0	0	0	0	0	0

ft. from ceiling	Wallwash Illuminance Study (fc)								
	Illuminance on wall from 6 luminaires								
	Luminaire mounted 3 ft. from wall			Luminaire mounted 3 ft. from wall			Luminaire mounted 3 ft. from wall		
	3 ft. between luminaires			4 ft. between luminaires			5 ft. between luminaires		
	3	3.5	4	3	3.5	4	3	3.5	4
1	9	8	9	7	5	7	7	3	7
2	15	14	15	13	9	13	12	7	12
3	20	19	20	17	13	17	15	9	15
4	21	21	21	17	15	17	14	11	14
5	19	19	19	15	14	15	12	11	12
6	17	17	17	13	13	13	10	10	10
7	14	14	14	11	11	11	9	9	9
8	12	12	12	9	9	9	7	7	7
9	10	10	10	8	8	8	6	6	6
10	8	8	8	6	6	6	5	5	5

#### AFW 2/26DTT 6AR CGL

(2) CF26DD/E/835 lamp

1825 rated lumens per lamp

Test no. LTL10957

Vertical Angle	Plane angle							
	Wall	22.5	45	67.5	90	112.5	135	157.5
0	727	727	727	727	727	727	727	727
5	673	684	694	711	740	768	784	795
15	699	710	710	688	718	781	824	841
25	608	625	657	646	639	689	687	701
35	485	510	542	557	566	578	570	574
45	426	427	421	384	354	342	332	319
55	320	311	259	170	78	54	46	42
65	191	169	120	62	21	15	12	11
75	66	60	44	21	7	6	5	5
85	13	12	10	4	1	1	1	0
90	0	0	0	0	0	0	0	0

ft. from ceiling	Wallwash Illuminance Study (fc)								
	Illuminance on wall from 6 luminaires								
	Luminaire mounted 3 ft. from wall			Luminaire mounted 3 ft. from wall			Luminaire mounted 3 ft. from wall		
	3 ft. between luminaires			4 ft. between luminaires			5 ft. between luminaires		
	3	3.5	4	3	3.5	4	3	3.5	4
1	12	10	12	11	7	11	10	4	10
2	27	27	27	23	18	23	21	11	21
3	29	30	29	22	22	22	19	16	19
4	25	25	25	18	19	18	15	15	15
5	21	21	21	16	16	16	13	13	13
6	17	17	17	13	13	13	10	10	10
7	14	14	14	11	11	11	9	9	9
8	11	11	11	9	9	9	7	7	7
9	9	9	9	7	7	7	6	6	6
10	7	8	7	6	6	6	5	5	5

### NOTES:

- For electrical characteristics consult the Technical Bulletins tab.
- Tested to current IES and NEMA standards under stabilized laboratory conditions. Various operating factors can cause differences between laboratory data and actual field measurements. Dimensions and specifications are based on the most current available data and are subject to change without notice.
- Actual performance may differ as a result of end-user environment and application.

### DCF-160

©2007, 2011 Acuity Brands Lighting, Inc.

All Rights Reserved. Rev. 12/11

Specifications subject to change without notice.

**gotham**  
An Acuity Brands Company

GOTHAM ARCHITECTURAL DOWNLIGHTING

1400 Lester Road Conyers Georgia 30012

P 800 315 4982 F 770 860 3129

www.gothamlighting.com