

FEATURES

OPTICAL SYSTEM

- Self-flanged, semi-specular or matte-diffuse reflector. Patented Bounding Ray™ Optical Principle design (U.S. Patent No. 5,800,050) provides lamp before lamp image and smooth transition from top of reflector to bottom. Minimum flange matches reflector finish.
- Baffle/Cone: Semi-specular clear upper reflector. Microgroove baffle with white painted flange or specular black cone with flange that matches cone finish.

MECHANICAL SYSTEM

- 16-gauge galvanized steel mounting/plaster frame with integral yoke to retain optical system. Maximum 1-1/2" ceiling thickness.
- 16-gauge galvanized steel mounting bars with continuous 4" vertical adjustment are shipped pre-installed. Post-installation adjustment possible without the use of tools from above or below the ceiling.
- Galvanized steel junction box with hinged access covers and spring latch. Two combination 1/2"-3/4" and three 1/2" knockouts for straight-through conduit runs. Capacity: 8 (4 in, 4 out) No. 12 AWG conductors, rated for 90°C.

ELECTRICAL SYSTEM

- Horizontally mounted, positive-latch, thermoplastic socket.
- Class P, thermally protected, high-power-factor electronic ballast mounted to the junction box.
- SIMPLY5™ technology available. SIMPLY5 LIGHTING INTELLIGENCE

LISTING

- Fixtures are UL Listed for thru-branch wiring, non-IC recessed mounting and damp locations. Listed and labeled to comply with Canadian standards.

WARRANTY

- One-year limited warranty. Full warranty terms located at www.acuitybrands.com/CustomerResources/Terms_and_conditions.aspx

Type

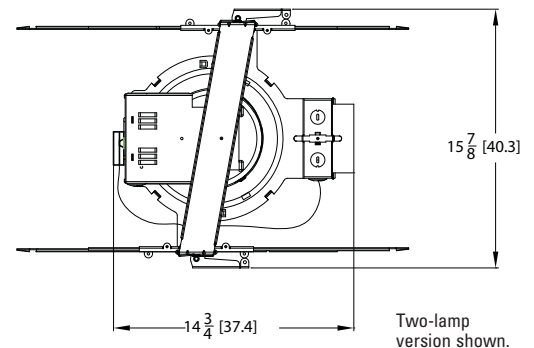
Catalog number

Compact Fluorescent Downlights

8" AF

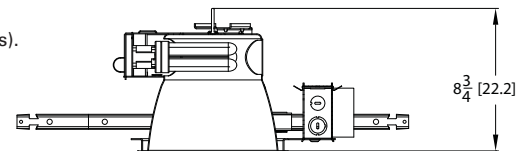
Open Reflector

Horizontal Lamp
Triple-Tube



Aperture: 7-7/8 (20.1)
Ceiling Opening: 8-7/8 (22.5)
Overlap Trim: 9-1/4(23.5)
Lens Recess: 2.5 (6.4)

All dimensions are inches (centimeters).



ORDERING INFORMATION

Choose the boldface catalog nomenclature that best suits your needs and write it on the appropriate line. Order accessories as separate catalog numbers (shipped separately).

Example: **AF 2/32TRT 8AR MVOLT**

AF						
Series	Wattage /Lamp	Aperture/ Trim color	Finish	Voltage	Ballast ³	Options
AF	1/18TRT	8AR Clear	(blank) Semi-specular	MVOLT² 120 277 347	(blank) Electronic ballast	EL^{4,6} Emergency battery pack with integral test switch
	1/26TRT	8PR Pewter	LD Matte-diffuse		ECOS² EcoSystem® electronic dimming ballast. Minimum dimming level 5%	ELR^{4,6} Emergency battery pack. Remote test switch provided
	1/32TRT	8WTR Wheat			ADEZ² Advance Mark 10® electronic dimming ballast. Minimum dimming level 5%	ELHL⁶ High lumen output emergency battery pack. Integral test switch provided
	1/42TRT	8WR¹ White painted	Lens type (blank) No lens CGL Clear glass lens PCL Clear polycarbonate lens T73 Tempered prismatic lens PPC Prismatic polycarbonate lens FOL Flat opal lens	ADZT⁴ Advance Mark 7® electronic dimming ballast. Minimum dimming level 5%	ELRHL⁶ High lumen output emergency battery pack. Remote test switch provided	
	2/18TRT	8MB¹ Black baffle		S5⁵ SIMPLY5™ system ballast. Minimum dimming level 15%	GMF¹ Single, slow-blow fuse	
	2/26TRT	8WB¹ White baffle		Accessories Order as separate catalog number. SCA8 Sloped ceiling adapter. Degree of slope must be specified (10D, 15D, 20D, 25D, 30D). Ex: SCA8 10D	ADZT⁴ Advance Mark 7® electronic dimming ballast. Minimum dimming level 5%	GLR¹ Single, fast-blow fuse
	2/32TRT	8BC¹ Black cone			S5⁵ SIMPLY5™ system ballast. Minimum dimming level 15%	TRW White painted flange (standard on MB and WB)
	2/42TRT				TRBL Black painted flange	
					WLP With 3500 K lamp (shipped separately)	
					LRC⁷ Provides compatibility with Lithonia Reloc System	
				CP⁸ Chicago plenum		
				BDP^{8,9} Ballast disconnect plug		
				HW Hardware for S5 system; replaces Reloc		
				NSD¹⁰ Sensor Switch nLight™ dimming relay		
				WL Wet location		
				WRL¹¹ Wattage restriction label		

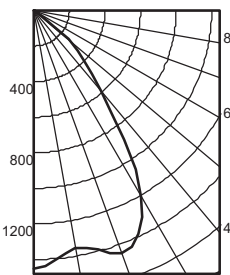
NOTES

- 1 Not available with finishes.
- 2 Multi-volt electronic ballast capable of operating on any voltage from 120V through 277V, 50 or 60 Hz.
- 3 For additional ballast types, refer to TECH-250.
- 4 Available in 120V or 277V only.
- 5 SIMPLY5™ includes 9' S5 MLC Reloc wiring system (shipped separately). Available in 120V or 277V only. Not available in 18W or 57W. See simply5.net for more information.
- 6 For dimensional changes, refer to TECH-140.
- 7 For compatible Reloc systems, refer to TECH-110.
- 8 Not available with EL, ELR, ELHL or ELRHL option.
- 9 Meets codes that require in-fixture disconnect.
- 10 One 5A relay with one 0-10 VDC dimming output, shipped installed. Requires additional nLight bus power supply (nPS80).
- 11 Must specify wattage. Ex.: WRL32

8" AF Open Reflector

Distribution curve Distribution data Output data Coefficient of utilization Illuminance Data at 30" Above Floor for a Single Luminaire

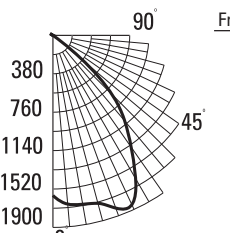
AF 1/42TRT 8AR, (1) CF42TRT, 3200 lumens per lamp, 1.2 s/mh, Test No. LTL20396



Ave	Lumens	Zone	Lumens	% Lamp	pf	80%		70%		50%		50% beam - 61.8°	10% beam - 89.6°
						pc	pw	50%	30%	50%	30%		
0	1454	0° - 30°	1158.3	36.2	0	78	78	77	77	73	73		
5	1407	0° - 40°	1709.0	53.4	1	72	71	69	71	69	68		
15	1389	0° - 60°	2098.2	65.6	2	66	63	61	65	63	60		
25	1388	0° - 90°	2109.1	65.9	3	61	57	54	60	57	54		
35	885	90° - 180°	0.0	0.0	4	56	52	49	55	52	49		
45	400	0° - 180°	2109.1	*65.9	5	52	48	44	51	47	44		
55	65				6	48	44	40	47	43	40		
65	7				7	44	40	37	44	40	37		
75	3				8	41	37	34	41	37	34		
85	0				9	39	34	31	38	34	31		
90	0				10	36	32	29	36	32	29		

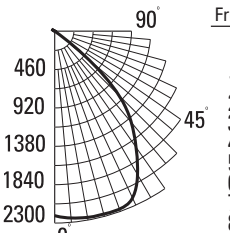
Mounting Height	Initial FC Center	50% beam angle 67.9°		10% beam angle 94.3°	
		Beam Diameter	fc at beam edge	Beam Diameter	fc at beam edge
8.0	48.1	6.6	24.0	10.9	4.8
10.0	25.8	9.0	12.9	14.9	2.6
12.0	16.1	11.4	8.1	18.9	1.6
14.0	11.0	13.8	5.5	22.8	1.1
16.0	8.0	16.2	4.0	26.8	0.8

AF 2/32TRT 8AR, (2) CF32DT/E/IN/835, 2400 lumens per lamp, 1.4 s/mh, Test No. LTL9407



From 0°	cp.	Lumens	Zone	Lumens	%lamp	pf	80%		70%		50%		Mount height	Initial fc at beam center	50% beam angle 67.9°		10% beam angle 94.3°	
							pc	pw	50%	30%	50%	30%			50%	30%	Beam diameter	fc at beam edge
0°	1584		0°-30°	1473.7	30.7	1	66	65	65	64	63	61						
5°	1676	165	0°-40°	2288.7	47.7	2	61	58	60	57	58	56						
15°	1720	514	0°-60°	2901.1	60.4	3	56	52	55	52	53	51						
25°	1849	795	0°-90°	2909.7	60.6	4	51	48	51	47	49	46						
35°	1348	815	90°-180°	0.0	0.0	5	47	43	47	43	46	42	8'	52.4	7.4	26.2	11.9	5.2
45°	830	549	0°-180°	2909.7	60.6*	6	44	39	43	39	42	39	10'	28.2	10.1	14.1	16.2	2.8
55°	36	63				7	40	36	40	36	39	35	12'	17.6	12.8	8.8	20.5	1.8
65°	5	6				8	37	33	37	33	36	33	14'	12.0	15.5	6.0	24.8	1.2
75°	2	2				9	35	31	34	30	34	30	16'	8.7	18.2	4.3	29.1	0.9
85°	0	0				10	32	28	32	28	31	28						
90°	0	0																

AF 2/42TRT 8AR, (2) CF42DT/E/IN/835, 3200 lumens per lamp, 1.4 s/mh, Test No. LTL9406



From 0°	cp.	Lumens	Zone	Lumens	%lamp	pf	80%		70%		50%		Mount height	Initial fc at beam center	50% beam angle 67.6°		10% beam angle 94.1°	
							pc	pw	50%	30%	50%	30%			50%	30%	Beam diameter	fc at beam edge
0°	2211		0°-30°	2029.5	31.7	1	69	67	67	66	65	64						
5°	2248	225	0°-40°	3166.3	49.5	2	63	60	62	59	60	58						
15°	2270	707	0°-60°	3999.6	62.5	3	58	54	57	54	55	52						
25°	2205	1097	0°-90°	4009.9	62.7	4	53	49	52	49	51	48						
35°	1699	1137	90°-180°	0.0	0.0	5	49	45	48	44	47	44	8'	73.1	7.4	36.5	11.8	7.3
45°	1092	749	0°-180°	4009.9	62.7*	6	45	41	45	40	44	40	10'	39.3	10.0	19.7	16.1	3.9
55°	47	84				7	42	37	41	37	40	37	12'	24.5	12.7	12.2	20.4	2.4
65°	7	8				8	39	34	38	34	37	34	14'	16.7	15.4	8.4	24.7	1.7
75°	3	3				9	36	32	36	31	35	31	16'	12.1	18.1	6.1	29.0	1.2
85°	0	0				10	33	29	33	29	33	29						
90°	0	0																

ENERGY (Calculated in accordance with NEMA standard LE-5A)					
LER.DOL	Annual* Energy Cost	Lamps	Lamp Lumens	Ballast Factor	Input Watts
44	\$5.44	(1) 32W TRT	2400	0.98	36
47	\$5.08	(1) 42W TRT	3200	1.00	46
40	\$5.93	(2) 32W TRT	4800	0.96	69
41	\$5.92	(2) 42W TRT	6400	0.95	94

*Comparative yearly lighting energy cost per 1000 lumens

NOTES:

- Clear lens multiplier 0.76.
- Tested to current IES and NEMA standards under stabilized laboratory conditions. Various operating factors can cause differences between laboratory data and actual field measurements. Dimensions and specifications are based on the most current available data and are subject to change without notice.
- Consult factory or IES file for microgroove baffle, black cone and other photometric reports.
- Actual performance may differ as a result of end-user environment and application.

DCF-180

©2003-2012 Acuity Brands Lighting, Inc.
All Rights Reserved. Rev. 02/27/12
Specifications subject to change without notice.

gotham
An Acuity Brands Company

GOTHAM ARCHITECTURAL DOWNLIGHTING
1400 Lester Road Conyers Georgia 30012
P 800 315 4982 F 770 860 3129
www.gothamlighting.com