

FEATURES

OPTICAL SYSTEM

- Self-flanged, semi-specular or matte-diffuse reflector.
- Patented Bounding Ray™ Optical Principle design (U.S. Patent No. 5,800,050) provides lamp before lamp image and smooth transition from top of reflector to bottom. Minimum flange matches reflector finish.
- Highly reflective outer kicker reflector provides smooth, uniform illumination floor to ceiling, edge to edge. For optimal uniformity, the recommended luminaire spacing is 3' from the wall and 3' centers.

MECHANICAL SYSTEM

- 16-gauge galvanized steel mounting/plaster frame with integral yoke to retain optical system. Maximum 1-1/4" ceiling thickness.
- 16-gauge galvanized steel mounting bars with continuous 4" vertical adjustment are shipped pre-installed. Post-installation adjustment possible without the use of tools from above or below the ceiling.
- Galvanized steel junction box with bottom-hinged access covers and spring latch. Two combination 1/2"-3/4" and two 1/2" knockouts for straight-through conduit runs. Capacity: 8 (4 in, 4 out) No. 12 AWG conductors rated for 90°C.

ELECTRICAL SYSTEM

- Horizontally mounted, positive latch thermoplastic socket(s).
- Class P, thermally protected, high-power-factor ballast(s) mounted to the junction box.
- SIMPLY5™ technology available. **SIMPLY5™** LIGHTING INTELLIGENCE

LISTING

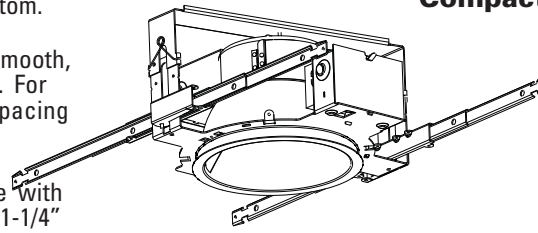
- Fixtures are UL Listed for thru-branch wiring, non-IC recessed mounting and damp locations. Listed and labeled to comply with Canadian standards.

WARRANTY

- One-year limited warranty. Full warranty terms located at www.acuitybrands.com/CustomerResources/Terms_and_conditions.aspx

Type

Catalog number

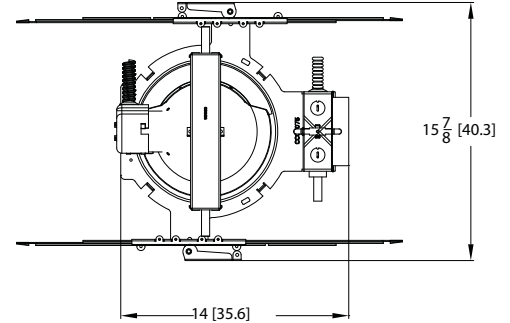


Compact Fluorescent Lighting

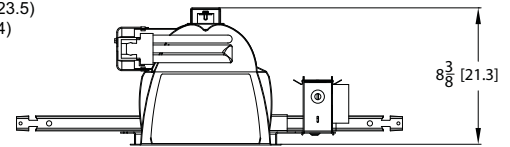
8" AFW

Open Wallwash

Horizontal Lamp
Triple-Tube



Aperture: 7-7/8 (20.1)
Ceiling Opening: 8-7/8 (22.5)
Overlap Trim: 9-1/4 (23.5)
Lens Recess: 2.5 (6.4)



All dimensions are inches (centimeters).

ORDERING INFORMATION

Example: **AFW 2/32TRT 8AR MVOLT**

Choose the boldface catalog nomenclature that best suits your needs and write it on the appropriate line.

AFW

Series	Wattage/ Lamp	Aperture/ Trim color	Finish	Voltage	Ballast ³	Options
AFW	1/18TRT	8AR Clear	(blank) Semi-specular	MVOLT² 120 277 347	(blank) Electronic ballast	WLP 3500 K lamp (shipped separately)
	1/26TRT	8PR Pewter	LD Matte-diffuse		ECOS² EcoSystem® electronic dimming ballast. Minimum dimming level 5%.	TRW White painted flange
	1/32TRT	8WTR Wheat			ADEZ⁴ Advance Mark 10® electronic dimming ballast. Minimum dimming level 5%.	EL^{4,6} Emergency battery pack with integral test switch
	1/42TRT	8WR¹ White painted	<div style="border: 1px solid black; padding: 5px; text-align: center;"> Lens type </div> (blank) No lens CGL Clear glass lens PCL Clear polycarbonate lens	ADZT⁴ Advance Mark 7® electronic dimming ballast. Minimum dimming level 5%.	ELR^{4,6} Emergency battery pack. Remote test switch provided	
	2/18TRT			S5⁵ SIMPLY5™ system ballast. Minimum dimming level 15%	ELHL^{4,6} High lumen output emergency battery pack. Integral test switch provided	
	2/26TRT				ADZT⁴ Advance Mark 7® electronic dimming ballast. Minimum dimming level 5%	ELRHL^{4,6} High lumen output emergency battery pack. Remote test switch provided
	2/32TRT					GMF⁴ Single, slow-blow fuse
2/42TRT					GLR⁴ Single, fast blow fuse	

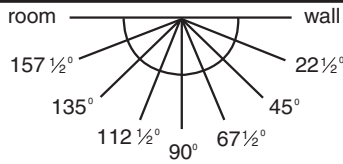
NOTES

- 1 Not available with finishes.
- 2 Multi-volt electronic ballast capable of operating on any line voltage from 120V through 277V, 50 or 60Hz.
- 3 For additional ballast types, refer to TECH-250.
- 4 Available in 120V or 277V only.
- 5 SIMPLY5™ includes 9' S5 MLC Reloc wiring system (shipped separately). Available in 120V or 277V only. Not available in 18W. See simply5.net for more information.
- 6 For dimensional changes, refer to TECH-140.
- 7 Not available with lens.
- 8 For compatible Reloc systems, refer to TECH-110.
- 9 Not available with EL, ELR, ELHL or ELRHL option.
- 10 Meets codes that require in-fixture disconnect.
- 11 One 5A relay with one 0-10 VDC dimming output, shipped installed. Requires additional nLight bus power supply (nPS80).
- 12 Must specify wattage. Ex.: WRL32

8" AFW Wallwash

TECHNICAL INFORMATION

Footcandle values are initial and tables are based on minimum of six units. For fixture-to-wall distance other than those shown, use maximum of one-to-one spacing (distance between fixtures not more than distance to wall) for best results.



Fixture/lamp

Candlepower data

Footcandle values

AFW 2/26TRT 8AR

(2) CF26DT/E/IN/835 lamp

1800 rated lumens per lamp

Test no. LTL17624

Vertical Angle	Wall	Plane angle			
		22.5	45	67.5	90
0	1174	1174	1174	1174	1174
5	1244	1228	1209	1195	1189
15	1177	1145	1090	1030	1003
25	892	876	833	781	756
35	619	609	586	534	505
45	349	349	337	302	284
55	120	121	127	123	119
65	60	56	50	45	44
75	33	29	24	20	19
85	8	6	6	4	4
90	0	1	1	1	1

Wallwash Illuminance Study (fc)												
Illuminance on wall from 6 luminaires												
ft. from ceiling	Luminaire mounted 3 ft. from wall			Luminaire mounted 3 ft. from wall			Luminaire mounted 3 ft. from wall			Luminaire mounted 3 ft. from wall		
	3	3.5	4	3	3.5	4	3	3.5	4	3	3.5	4
1	6	5	6	5	3	5	4	2	4			
2	10	9	10	8	6	8	8	4	8			
3	20	19	20	16	13	16	15	9	15			
4	24	24	24	18	17	18	16	13	16			
5	22	22	22	17	17	17	14	13	14			
6	19	19	19	15	14	15	12	11	12			
7	16	16	16	13	12	13	10	10	10			
8	14	14	14	11	10	11	9	8	9			
9	11	11	11	9	9	9	7	7	7			
10	9	10	9	7	7	7	6	6	6			

AFW 2/32TRT 8AR

(2) CF32DT/E/IN/830 lamp

2400 rated lumens per lamp

Test no. LTL17626

Vertical Angle	Wall	Plane angle			
		22.5	45	67.5	90
0	1507	1507	1507	1507	1507
5	1592	1591	1569	1551	1545
15	1502	1468	1393	1301	1266
25	1147	1125	1058	980	945
35	792	778	743	669	619
45	446	443	423	373	325
55	152	152	157	150	146
65	75	70	61	56	54
75	41	36	30	25	23
85	10	8	7	5	4
90	0	1	1	1	1

Wallwash Illuminance Study (fc)												
Illuminance on wall from 6 luminaires												
ft. from ceiling	Luminaire mounted 3 ft. from wall			Luminaire mounted 3 ft. from wall			Luminaire mounted 3 ft. from wall			Luminaire mounted 3 ft. from wall		
	3	3.5	4	3	3.5	4	3	3.5	4	3	3.5	4
1	7	6	7	6	4	6	5	3	5			
2	13	12	13	11	8	11	10	5	10			
3	25	24	25	21	17	21	19	11	19			
4	30	30	30	23	22	23	20	16	20			
5	28	28	28	22	21	22	18	16	18			
6	25	25	25	19	18	19	15	15	15			
7	21	21	21	16	16	16	13	12	13			
8	17	17	17	13	13	13	11	11	11			
9	14	14	14	11	11	11	9	9	9			
10	12	12	12	9	9	9	8	8	8			

AFW 2/42TRT 8AR

(2) CF42DT/E/IN/830 lamp

3200 rated lumens per lamp

Test no. LTL17628

Vertical Angle	Wall	Plane angle			
		22.5	45	67.5	90
0	1994	1994	1994	1994	1994
5	2072	2057	2041	2016	2011
15	1945	1906	1811	1698	1659
25	1501	1473	1383	1270	1217
35	1039	1017	971	873	805
45	575	575	554	497	446
55	196	195	199	193	185
65	97	91	79	72	69
75	53	47	39	32	29
85	13	10	9	6	5
90	0	0	1	1	1

Wallwash Illuminance Study (fc)												
Illuminance on wall from 6 luminaires												
ft. from ceiling	Luminaire mounted 3 ft. from wall			Luminaire mounted 3 ft. from wall			Luminaire mounted 3 ft. from wall			Luminaire mounted 3 ft. from wall		
	3	3.5	4	3	3.5	4	3	3.5	4	3	3.5	4
1	9	8	9	8	5	8	7	4	7			
2	16	15	16	14	10	14	12	7	12			
3	33	32	33	27	22	27	25	14	25			
4	40	39	40	31	28	31	26	21	26			
5	37	37	37	28	27	28	24	21	24			
6	32	32	32	25	24	25	20	19	20			
7	27	27	27	21	21	21	17	16	17			
8	23	23	23	18	17	18	14	14	14			
9	19	19	19	15	15	15	12	12	12			
10	16	16	16	12	12	12	10	10	10			

NOTES:

- Tested to current IES and NEMA standards under stabilized laboratory conditions. Various operating factors can cause differences between laboratory data and actual field measurements. Dimensions and specifications are based on the most current available data and are subject to change without notice.
- Consult factory or IES file for other photometric reports.
- Actual performance may differ as a result of end-user environment and application.

DCF-200

©2003-2012 Acuity Brands Lighting, Inc.

All Rights Reserved. Rev. 02/27/12

Specifications subject to change without notice.

gotham
An Acuity Brands Company

GOTHAM ARCHITECTURAL DOWNLIGHTING

1400 Lester Road Conyers Georgia 30012

P 800 315 4982 F 770 860 3129

www.gothamlighting.com