

# FEATURES

## OPTICAL SYSTEM

- Self-flanged, semi-specular or matte-diffuse reflector. Patented Bounding Ray™ Optical Principle design (U.S. Patent No.5,800,050) provides lamp before lamp image and smooth transition from top of the reflector to bottom. Minimum flange matches reflector finish.
- Highly reflective outer kicker reflector provides smooth, uniform illumination floor to ceiling, edge to edge. Inner cone is contoured to eliminate room-side flash. For optimal uniformity, the recommended luminaire spacing is 3' from the wall and 3' centers.

## MECHANICAL SYSTEM

- 16-gauge galvanized steel mounting/plaster frame with integral yoke to retain optical system. Maximum 2-1/4" ceiling thickness.
- 16-gauge galvanized steel mounting bars with continuous 4" vertical adjustment, are shipped pre-installed. Post-installation adjustment possible without the use of tools from above or below the ceiling.
- Galvanized steel junction box with hinged access covers and spring latch. Two combination 1/2"-3/4" and two 1/2" knockouts for straight-through conduit runs. Capacity: 8 (4 in, 4 out) No. 12 AWG conductors, rated for 90°C.

## ELECTRICAL SYSTEM

- Horizontally mounted, positive-latch thermoplastic socket(s).
- Class P, thermally protected high-power-factor ballast(s) mounted to the junction box.
- Simply5™ technology available. SIMPLY5™  
LIGHTING INTELLIGENCE

## LISTING

- Fixtures are UL listed for thru-branch wiring, non-IC recessed mounting and damp locations. Listed and labeled to comply with Canadian standards.

## WARRANTY

- One-year limited warranty. Full warranty terms located at [www.acuitybrands.com/CustomerResources/Terms\\_and\\_conditions.aspx](http://www.acuitybrands.com/CustomerResources/Terms_and_conditions.aspx)

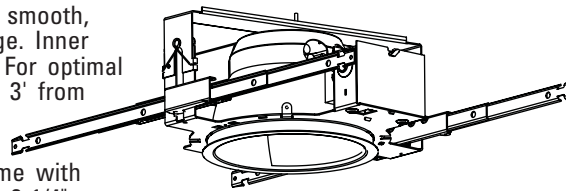
Type

Catalog number

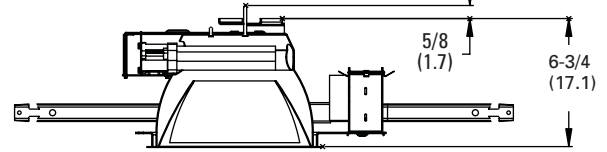
## Compact Fluorescent Downlights

# 8" AFW

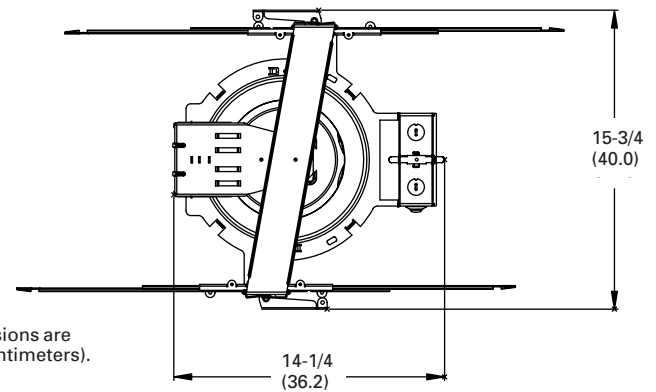
## Open Wallwash



Horizontal Lamp  
Double Twin-Tube



Aperture: 7-7/8 (20.1)  
Ceiling opening: 8-7/8 (22.5)  
Overlap trim: 9-1/4 (23.5)



All dimensions are inches (centimeters).

# ORDERING INFORMATION

Choose the boldface catalog nomenclature that best suits your needs and write it on the appropriate line.

## AFW

Series	Wattage/Lamp	Aperture/Trim color	Finish	Voltage	Ballast <sup>3</sup>	Options
<b>AFW</b>	<b>1/13DTT</b>	<b>8AR</b> Clear	(blank) Semi-specular	<b>MVOLT<sup>2</sup></b> <b>120</b> <b>277</b> <b>347</b>	(blank) Electronic ballast	<b>WLP</b> 3500 K lamp (shipped separately)
	<b>2/13DTT</b>	<b>8PR</b> Pewter	<b>LD</b> Matte-diffuse		<b>ECOS<sup>2,4</sup></b> EcoSystem® electronic dimming ballast. Minimum dimming level 5%	<b>TRW</b> White painted flange
	<b>1/18DTT</b>	<b>8WTR</b> Wheat			<b>ADEZ<sup>4,5</sup></b> Advance Mark 10® electronic dimming ballast. Minimum dimming level 5%	<b>ELR<sup>7</sup></b> Emergency battery pack. Remote test switch provided
	<b>2/18DTT</b>	<b>8WR<sup>1</sup></b> White painted		<b>ADZT<sup>4,5</sup></b> Advance Mark 7® electronic dimming ballast. Minimum dimming level 5%	<b>EL<sup>7</sup></b> Emergency battery pack with integral test switch	
	<b>1/26DTT</b>			<b>S<sup>5</sup></b> SIMPLY5™ system ballast. Minimum dimming level 15%	<b>ELHL<sup>5,7</sup></b> High lumen output emergency battery pack. Integral test switch provided	
	<b>2/26DTT</b>				<b>ELRHL<sup>7</sup></b> High lumen output emergency battery pack. Remote test switch provided	

Lens type	
(blank)	No lens
<b>CGL</b>	Clear glass lens
<b>PCL</b>	Clear polycarbonate lens

## NOTES

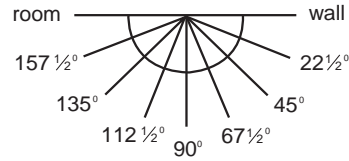
- 1 Not available with finishes.
- 2 Multi-volt electronic ballast capable of operating on any voltage from 120V through 277V, 50 or 60 Hz.
- 3 For additional ballast types, refer to TECH-250.
- 4 Not available with 13DTT.
- 5 Available in 120V or 277V only.
- 6 Simply5™ includes 9' S5 MLC Reloc wiring system (shipped separately). Available in 120V or 277V only. Not available in 13W or 18W. See [simply5.net](http://simply5.net) for more information.
- 7 For dimensional changes, refer to TECH-140.
- 8 For compatible Reloc systems, refer to TECH-110.
- 9 Not available with emergency options.
- 10 Meets codes that require in-fixture disconnect.
- 11 One 5A relay with one 0-10 VDC dimming output, shipped installed. Requires additional nLight bus power supply (nPS80).
- 12 Must specify wattage. Ex.: WRL32

Example: **AFW 1/26DTT 8AR MVOLT WLP**

# 8" AFW Open Wallwash

## TECHNICAL INFORMATION

Footcandle values are initial and tables are based on minimum of six units. For fixture-to-wall distance other than those shown, use maximum of one-to-one spacing (distance between fixtures not more than distance to wall) for best results.



### Fixture/lamp

### Candlepower data

### Footcandle values

#### AFW 2/18DTT 8AR

(2)CF18DD/E/835 lamp

1250 rated lumens per lamp

Test no. LTL17618

Vertical Angle	Wall	Plane angle						
		22.5	45	67.5	90	112.5	135	157.5
0	1110	1110	1110	1110	1110	1110	1110	1110
5	1050	1061	1081	1073	1072	1075	1079	1085
15	915	907	881	849	820	810	796	772
25	691	694	680	650	609	582	567	566
35	485	493	476	439	403	387	374	374
45	294	293	266	239	213	193	185	188
55	148	145	127	96	65	52	45	37
65	83	81	69	52	33	17	5	2
75	43	41	34	24	14	6	2	1
85	11	10	8	6	3	1	0	0
90	0	0	0	0	0	0	0	0

ft. from ceiling	Wallwash Illuminance Study (fc)											
	Illuminance on wall from 6 luminaires											
	Luminaire mounted 3 ft. from wall				Luminaire mounted 3 ft. from wall				Luminaire mounted 3 ft. from wall			
	3 ft. between luminaires			4 ft. between luminaires			5 ft. between luminaires					
1	7	6	7	6	4	6	6	3	6	6	6	
2	13	12	13	11	8	11	10	5	10	10	10	
3	17	16	17	14	11	14	13	8	13	12	12	
4	18	18	18	14	13	14	12	9	12	9	9	
5	17	17	17	13	12	13	11	10	11	10	10	
6	15	15	15	11	11	11	9	9	9	9	9	
7	12	12	12	9	9	9	8	7	8	7	7	
8	10	10	10	8	8	8	6	6	6	6	6	
9	9	9	9	7	7	7	6	5	6	5	5	
10	7	7	7	6	6	6	5	5	5	5	5	

#### AFW 2/26DTT 8AR

(2)CF26DD/E/835 lamp

1825 rated lumens per lamp

Test no. LTL10613

Vertical Angle	Wall	Plane angle						
		22.5	45	67.5	90	112.5	135	157.5
0	1632	1632	1632	1632	1632	1632	1632	1632
5	1539	1579	1593	1574	1571	1579	1583	1587
15	1336	1308	1270	1231	1205	1213	1206	1188
25	1028	1018	987	940	896	873	859	871
35	739	728	691	635	593	575	568	567
45	442	428	394	353	319	293	284	280
55	229	217	183	134	96	78	65	54
65	129	121	99	70	43	20	6	3
75	68	61	48	32	18	7	2	1
85	17	15	12	7	3	1	0	0
90	0	0	0	1	1	1	0	0

ft. from ceiling	Wallwash Illuminance Study (fc)											
	Illuminance on wall from 6 luminaires											
	Luminaire mounted 3 ft. from wall				Luminaire mounted 3 ft. from wall				Luminaire mounted 3 ft. from wall			
	3 ft. between luminaires			4 ft. between luminaires			5 ft. between luminaires					
1	12	10	12	10	7	10	9	4	9	9	9	
2	20	18	20	16	12	16	15	9	15	15	15	
3	27	25	27	22	17	22	19	12	19	17	17	
4	28	27	28	22	20	22	19	15	19	17	17	
5	26	26	26	20	19	20	17	15	17	15	15	
6	22	22	22	17	17	17	14	13	14	13	13	
7	19	19	19	14	14	14	12	11	12	11	11	
8	16	16	16	12	12	12	10	10	10	10	10	
9	13	13	13	10	10	10	8	8	8	8	8	
10	11	11	11	9	9	9	7	7	7	7	7	

#### AFW 2/18DTT 8AR CGL

(2)CF18DD/E/835 lamp

1250 rated lumens per lamp

Test no. LTL17622

Vertical Angle	Wall	Plane angle						
		22.5	45	67.5	90	112.5	135	157.5
0	305	305	305	305	305	305	305	305
5	306	303	301	302	310	324	333	340
15	299	307	316	325	321	374	395	392
25	263	276	300	317	304	366	392	378
35	217	231	246	257	277	307	321	324
45	210	208	187	156	152	165	180	194
55	171	158	121	69	27	31	36	40
65	71	65	51	26	8	5	6	6
75	21	20	17	9	2	2	2	2
85	3	3	3	1	0	0	0	0
90	0	0	0	0	0	0	0	0

ft. from ceiling	Wallwash Illuminance Study (fc)											
	Illuminance on wall from 6 luminaires											
	Luminaire mounted 3 ft. from wall				Luminaire mounted 3 ft. from wall				Luminaire mounted 3 ft. from wall			
	3 ft. between luminaires			4 ft. between luminaires			5 ft. between luminaires					
1	4	4	4	4	2	4	3	2	3	3	3	
2	14	12	14	12	8	12	11	5	11	11	11	
3	14	14	14	11	11	11	9	8	9	8	8	
4	11	12	11	8	9	8	7	7	7	7	7	
5	9	9	9	7	7	7	6	6	6	6	6	
6	8	8	8	6	6	6	4	5	4	5	4	
7	6	6	6	5	5	5	4	4	4	4	4	
8	5	5	5	4	4	4	3	3	3	3	3	
9	4	4	4	3	3	3	3	3	3	3	3	
10	3	3	3	3	3	3	2	2	2	2	2	

#### AFW 2/26DTT 8AR CGL

(2)CF26DD/E/835 lamp

1825 rated lumens per lamp

Test no. LTL10612

Vertical Angle	Wall	Plane angle						
		22.5	45	67.5	90	112.5	135	157.5
0	658	658	658	658	658	658	658	658
5	672	667	663	658	659	684	711	726
15	660	668	688	691	667	771	825	836
25	560	579	640	672	629	760	816	779
35	451	472	513	542	573	641	659	663
45	393	399	404	355	347	386	418	447
55	336	321	257	152	62	71	82	90
65	162	148	113	57	18	12	12	13
75	47	44	39	18	5	4	5	5
85	7	6	6	3	1	1	0	0
90	0	0	0	0	0	0	0	0

ft. from ceiling	Wallwash Illuminance Study (fc)											
	Illuminance on wall from 6 luminaires											
	Luminaire mounted 3 ft. from wall				Luminaire mounted 3 ft. from wall				Luminaire mounted 3 ft. from wall			
	3 ft. between luminaires			4 ft. between luminaires			5 ft. between luminaires					
1	10	8	10	8	5	8	8	3	8	8	8	
2	28	26	28	23	17	23	22	11	22	22	22	
3	28	29	28	21	22	21	18	16	18	18	18	
4	24	24	24	17	18	17	14	15	14	15	14	
5	20	19	20	15	15	15	12	12	12	12	12	
6	16	16	16	12	12	12	10	10	10	10	10	
7	13	13	13	10	10	10	8	8	8	8	8	
8	11	11	11	8	8	8	7	7	7	7	7	
9	9	9	9	7	7	7	6	6	6	6	6	
10	7	7	7	6	6	6	5	5	5	5	5	

### NOTES:

- For electrical characteristics consult Technical Bulletins tab.
- Tested to current IES and NEMA standards under stabilized laboratory conditions. Various operating factors can cause differences between laboratory data and actual field measurements. Dimensions and specifications are based on the most current available data and are subject to change without notice.
- Actual performance may differ as a result of end-user environment and application.

### DCF-230

©2003, 2011 Acuity Brands Lighting, Inc.

All Rights Reserved. Rev. 12/11

Specifications subject to change without notice.

**gotham**  
An Acuity Brands Company

GOTHAM ARCHITECTURAL DOWNLIGHTING

1400 Lester Road Conyers Georgia 30012

P 800 315 4982 F 770 860 3129

www.gothamlighting.com