

FEATURES

OPTICAL SYSTEM

- Reflector - Self-flanged, semi-specular or matte-diffuse reflector. Fluted vertical upper section works in conjunction with patented Bounding Ray™ Optical Principle to provide lamp before lamp image and smooth transition from top of reflector to bottom. Hybrid kicker reflector for wallwash. Minimum flange matches reflector finish. White painted flange optional.
- Hybrid kicker reflector has highly specular finish on bottom 3/4" and transitions to diffuse on the rest of the kicker reflector.
- Hinged lampdoor seals upper trim for optimal fixture efficiency and the reduction of stray light in the plenum.

MECHANICAL

- 16-gauge galvanized steel mounting/plaster frame with integral yoke to retain optical system. Maximum 1-1/2" ceiling thickness.
- 16-gauge galvanized steel mounting bars with continuous 4" vertical adjustment are shipped pre-installed. Post-installation adjustment possible without the use of tools from above or below the ceiling.
- Galvanized steel junction box with bottom-hinged access covers and spring latches. Two combination 1/2"-3/4" and three 1/2" knockouts for straight-through conduit runs. Capacity: 8 (4 in, 4 out) No. 12 AWG conductors, rated for 90°C.

ELECTRICAL SYSTEM

- Horizontally mounted, four-pin, positive-latch, thermoplastic socket(s).
- Class P, thermally protected high-power-factor electronic ballast(s) mounted to the junction box (CP and EL ballast mounted on ballast tray).
- SIMPLY5™ technology available. SIMPLY5™ LIGHTING INTELLIGENCE

LISTING

- Fixtures are UL listed for thru-branch wiring, recessed mounting and damp locations. Listed and labeled to comply with Canadian standards (see Options).

WARRANTY

- One-year limited warranty. Full warranty terms located at www.acuitybrands.com/CustomerResources/Terms_and_conditions.aspx

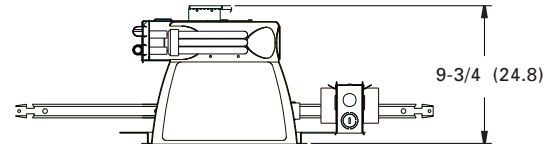
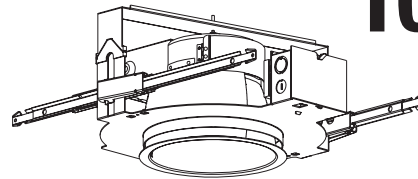
Type Catalog number

Compact Fluorescent Lighting

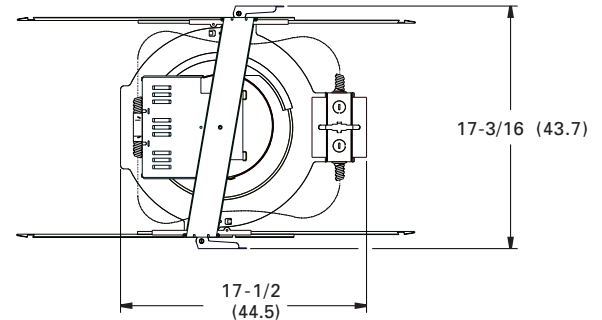
10" AFW

Wallwash

Horizontal Lamp
Triple-Tube



Aperture: 9-3/4 (24.8)
Ceiling Opening: 10-1/2 (26.7)
Overlap Trim: 11-1/8 (28.3)



All dimensions are inches (centimeters).

ORDERING INFORMATION

Example: **AFW 3/42TRT 10AR MVOLT**

Choose the boldface catalog nomenclature that best suits your needs and write it on the appropriate line.

AFW

Series	Wattage/Lamp		Aperture/Trim color		Lens type		Voltage	Ballast		Options	
AFW	1/18TRT	2/32TRT	10AR	Clear	(blank)	Open wallwash	MVOLT³	(blank)	GEB10 standard. Electronic ballast. Requires four-pin lamp	WLP	With 3500 K lamp (shipped separately)
	1/26TRT	2/42TRT	10PR	Pewter	CGL	Clear glass lens	120			TRW	White painted flange
	1/32TRT	2/57TRT¹	10WTR	Wheat			277			ELR⁷	Emergency battery pack. Remote test switch provided
	1/42TRT	3/18TRT	10CR²	Champagne Gold	PCL	Clear polycarbonate lens	347		ECOS^{3,4}	GMF⁵	Single, slow-blow fuse
	1/57TRT¹	3/26TRT	10GR²	Gold	Finish				ADEZ⁵	RIF	Radio interference filter
	2/18TRT	3/32TRT			(blank)	Semi-specular			ADZT⁵	LRC⁸	Provides compatibility with Lithonia Reloc [®] System. Lithonia Reloc System can be installed less option with connectors provided by others. Access above ceiling required
	2/26TRT	3/42TRT			LD	Matte-diffuse			ADZT⁵	HW	Hardwire for S5 system; replaces Reloc
									QDS⁹	CWW	Quick disconnect for easy ballast replacement
									S5⁵	DWW	Corner wallwash
										CP⁹	Double wallwash
										CSA	Chicago plenum (consult factory)
										NSD¹⁰	CSA certified
											Sensor Switch nLight™ dimming relay
										WRL¹¹	Wattage restriction label

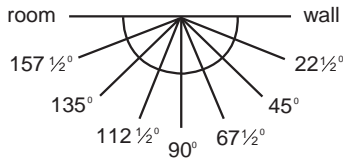
NOTES:

- 1 For use with Sylvania lamps only.
- 2 Not recommended for use with compact fluorescent lamp. Consult factory.
- 3 Multi-volt electronic ballast capable of operating any line voltage between 120-277 volt.
- 4 Not available with 57W.
- 5 Available in 120V or 277V only.
- 6 Simply5™ includes 9' S5 MLC Reloc wiring system (shipped separately). Available in 120V or 277V only. Not available in 18W. See simply5.net for more information.
- 7 For dimensional changes, refer to TECH-140.
- 8 For compatible Reloc systems, refer to TECH-110.
- 9 Not available with emergency options.
- 10 One 5A relay with one 0-10 VDC dimming output, shipped installed. Requires additional nLight bus power supply (nSP80).
- 11 Must specify wattage. Ex.: WRL32

10" AF Wallwash

TECHNICAL INFORMATION

Footcandle values are initial and tables are based on minimum of six units. For fixture-to-wall distance other than those shown, use maximum of one-to-one spacing (distance between fixtures not more than distance to wall) for best results.



Fixture/lamp	Candlepower data								Footcandle values							
	Vertical angle	Plane angle								Luminaire 3' from wall		Luminaire 3' from wall				
		Room side				Wall side				on 3' centers		on 4' centers				
	Room	157 1/2°	135°	112 1/2°	90°	67 1/2°	45°	22 1/2°	Wall							
AFW 2/32TRT 10AR																
(2) CF32DT/E/IN/835 lamp																
2400 total rated lumens																
Test no. LTL9680																
0°	1223	1223	1223	1223	1223	1223	1223	1223	1223	1	19	16	19	16	11	7
5°	1662	1581	1453	1330	1261	1247	1304	1331	1333	2	55	48	56	46	32	21
15°	2091	2112	1959	1623	1402	1433	1471	1371	1307	3	67	69	68	54	49	33
25°	1951	1980	1984	1772	1490	1426	1412	1250	1131	4	58	56	59	42	43	35
35°	1555	1536	1450	1291	1096	1069	1181	1188	1199	5	40	44	42	33	33	27
45°	971	951	899	799	687	765	970	1076	1124	6	31	34	33	24	26	21
55°	49	50	45	39	50	223	495	640	717	7	25	26	27	19	22	17
65°	10	10	10	10	19	100	230	283	288	8	19	21	21	16	17	15
75°	5	5	5	5	7	33	77	90	98	9	16	17	17	13	14	12
85°	0	0	1	1	1	3	6	8	12	10	13	14	14	11	11	10
95°	0	0	0	0	0	0	0	0	0							
AFW 2/42TRT 10AR																
(2) CF42DT/E/IN/835 lamp																
3200 total rated lumens																
Test no. LTL9681																
0°	1555	1555	1555	1555	1555	1555	1555	1555	1555	1	23	20	23	20	13	9
5°	2017	1948	1840	1693	1580	1548	1587	1621	1624	2	68	59	69	58	39	26
15°	2523	2587	2395	2059	1728	1704	1756	1708	1648	3	78	83	79	63	58	39
25°	2242	2328	2346	2157	1740	1676	1711	1559	1439	4	67	68	68	49	52	41
35°	1398	1453	1440	1357	1358	1643	1834	1937	1963	5	48	54	50	39	41	33
45°	1140	1105	1029	933	752	881	1109	1261	1306	6	39	42	41	29	33	27
55°	59	64	60	54	63	277	585	781	883	7	31	32	34	24	26	21
65°	13	13	13	13	25	128	283	350	361	8	24	26	26	20	21	18
75°	8	8	8	8	10	44	98	113	121	9	20	21	21	16	17	14
85°	0	1	2	2	3	6	9	11	15	10	16	17	17	13	14	12
95°	0	0	0	0	0	0	0	0	0							
AFW 3/32TRT 10AR																
(3) CF32DT/E/IN/835 lamp																
2400 total rated lumens																
Test no. LTL9677																
0°	1829	1829	1829	1829	1829	1829	1829	1829	1829	1	22	20	23	19	13	19
5°	2008	2022	2014	1928	1827	1782	1762	1722	1709	2	61	55	62	51	37	51
15°	2499	2427	2355	2200	1977	1835	1722	1741	1731	3	75	72	77	63	48	64
25°	2508	2415	2259	2069	1788	1735	1675	1678	1630	4	65	65	66	49	48	50
35°	1781	1757	1685	1547	1318	1262	1381	1492	1574	5	50	53	52	40	40	41
45°	982	969	925	857	721	709	945	1175	1332	6	39	41	41	30	32	31
55°	65	72	64	61	79	283	499	693	758	7	31	32	33	24	25	25
65°	11	11	11	12	31	164	279	316	321	8	24	26	26	20	20	21
75°	7	6	6	7	11	60	99	111	119	9	19	21	21	16	17	17
85°	0	0	1	1	2	9	14	11	17	10	16	17	17	13	14	14
95°	0	0	0	0	0	0	0	0	0							
AFW 3/42TRT 10AR																
(3) CF42DT/E/IN/835 lamp																
3200 total rated lumens																
Test no. LTL9676																
0°	2756	2756	2756	2756	2756	2756	2756	2756	2756	1	38	34	39	32	22	32
5°	3123	3090	3012	2905	2760	2686	2657	2621	2601	2	103	93	104	86	62	87
15°	3818	3779	3597	3319	2876	2704	2610	2594	2567	3	112	113	113	90	78	91
25°	3737	3726	3462	3077	2501	2434	2342	2326	2229	4	92	94	94	68	73	69
35°	2859	2855	2683	2405	2085	1991	2011	2043	2029	5	73	76	75	58	58	59
45°	1488	1488	1439	1321	1182	1258	1524	1763	1827	6	57	60	60	45	46	45
55°	72	75	71	66	109	486	863	1140	1269	7	45	47	48	36	38	37
65°	17	18	18	19	48	256	457	546	558	8	35	38	38	29	30	31
75°	11	11	11	12	17	86	163	190	207	9	28	31	31	24	25	25
85°	1	1	2	2	3	12	21	17	26	10	23	25	25	19	21	21
95°	0	0	0	0	0	0	0	0	0							

ENERGY

LER.DOL	Annual Energy Cost	Lamps	Lamp Lumens	Ballast Factor	Input Watts
40	\$5.94	3/42TRT	9600	.98	135

Calculated in accordance with NEMA standard LE-5.

NOTES:

- For electrical characteristics, refer to Technical Bulletins tab.
- Tested to current IES and NEMA standards under stabilized laboratory conditions. Various operating factors can cause differences between laboratory data and actual field measurements. Dimensions and specifications are based on the most current available data and are subject to change without notice.
- Actual performance may differ as a result of end-user environment and application.

DCF-270

©2003, 2011 Acuity Brands Lighting, Inc.
All Rights Reserved. Rev. 12/11
Specifications subject to change without notice.

gotham
An Acuity Brands Company

GOTHAM ARCHITECTURAL DOWNLIGHTING
1400 Lester Road Conyers Georgia 30012
P 800 315 4982 F 770 860 3129
www.gothamlighting.com