

# FEATURES

## OPTICAL

- Reflector – Self-flanged, specular clear or semi-diffuse reflector. Bounding Ray Optical Principle™ design provides lamp before lamp image and smooth transition from top of reflector to bottom. Hybrid kicker reflector for wallwash. Minimum flange matches reflector finish. White painted flange optional. (Vertisys optical system patented – US Patent #5,800,050)
- Hybrid kicker reflector has highly specular finish on bottom 3/4" and transitions to diffuse on the rest of the kicker reflector.
- 1/8" clear glass or clear polycarbonate lens available.

## MECHANICAL

- 16-gauge galvanized steel mounting/plaster frame with with integral yoke to retain reflector system. Yoke is 16 gauge galvanized steel with tempered steel flat spring and is adjustable for up to 1-5/8" thick ceiling with no additional parts or modifications.
- Mounting bars are 16-gauge galvanized steel with continuous 4" vertical adjustment, held in place with tool-less, cam-action locking system. Post installation adjustment possible without the use of tools from above or below the ceiling. Shipped pre-installed.
- Galvanized steel junction box with bottom-hinged access covers and spring latches. Two combination 1/2"-3/4" and three 1/2" knockouts for straight-through conduit runs. Capacity: 8 (4 in, 4 out) No. 12 AWG conductors rated for 90°C.

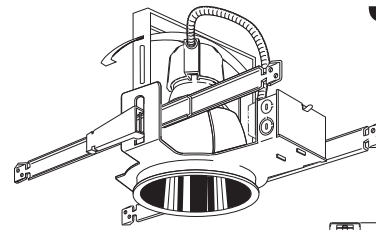
## ELECTRICAL SYSTEM

- Rugged aluminum lampholder housing designed for positive lamp center positioning.
- Vertically mounted, positive-latch thermoplastic socket.
- Class P, thermally-protected, high power factor ballast mounted to the junction box.

## LISTING

- Fixtures are UL Listed for thru-branch wiring, recessed mounting, Non-I/C and damp locations. Listed and labeled to comply with Canadian Standards (see Options).

Type Catalog number

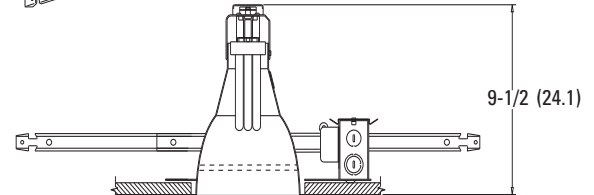


## Compact Fluorescent Downlights

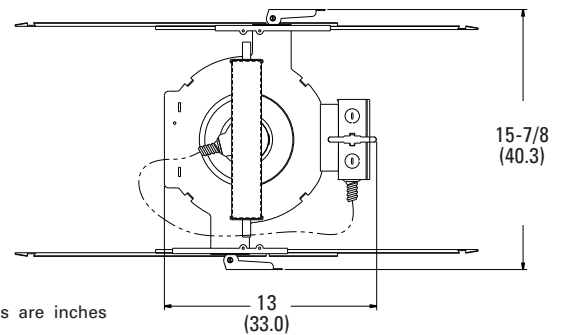
# 5" AFVW

## Open Wallwash

Vertical Lamp  
Tri-Tube



Aperture: 5 (12.7)  
Ceiling opening: 5-3/4 (14.6)  
Overlap trim: 6-1/4 (15.9)  
Lens Recess: 2 (5.1)



All dimensions are inches (centimeters).

# ORDERING INFORMATION

Example: **AFVW 26TRT 5AR MVOLT WLP**

Choose the boldface catalog nomenclature that best suits your needs and write it on the appropriate line.

## AFVW

Series	Reflector Type	Finish	Lens Type <sup>2</sup>	Volts	Ballast <sup>4</sup>	Options
<b>AFVW</b>	<b>5AR</b> Clear <b>5PR</b> Pewter <b>5UBR</b> Umber <b>5WTR</b> Wheat <b>5WR1</b> White painted	<b>(blank)</b> Specular low iridescent <b>LD</b> Semi-diffuse low iridescent	<b>(blank)</b> no Lens <b>CGL</b> Clear Lens <b>PCL</b> Clear Polycarbonate Lens	<b>MVOLT<sup>3</sup></b> <b>120</b> <b>277</b> <b>347</b>	<b>(blank)</b> Electronic ballast. <b>ECOS</b> EcoSystem electronic dimming ballast. Minimum dimming level 5%. <b>ADEZ<sup>5</sup></b> Advance Mark X <sup>®</sup> electronic dimming ballast. <b>ADZT<sup>5</sup></b> Advance Mark VII <sup>®</sup> electronic dimming ballast.	<b>WLP</b> With 35°K lamp (shipped separately). <b>TRW</b> White painted flange.(not available with 5WR) <b>LRC<sup>6</sup></b> Provides compatibility with Lithonia Reloc System. <b>GMF<sup>7</sup></b> Single slow-blow fuse. <b>GLR<sup>7</sup></b> Single fast-blow fuse. <b>RIF</b> Radio interference filter. <b>ELR</b> Emergency battery pack. Access above ceiling required. Remote test switch provided. (Consult factory for dimensional changes.) <b>GSKT</b> 1/8" x 3/8" foam gasketing, shipped uninstalled. <b>QDS<sup>8</sup></b> Quick-disconnect for easy ballast replacement. <b>CSA</b> Listed and labeled to comply with Canadian Standards. <b>DWW</b> Double Wallwash. <b>CWW</b> Corner Wallwash. <b>NSD<sup>9</sup></b> Sensorswitch nLight™ dimming relay
<b>18TRT</b> One 18W tri-tube						
<b>26TRT</b> One 26W tri-tube						
<b>32TRT</b> One 32W tri-tube						

### NOTES:

- 1 Not available with finishes.
- 2 For additional lens types, consult factory.
- 3 Multi-volt electronic ballast capable of operating on any line voltage from 120V through 277V; 50 or 60 HZ.
- 4 All ballast are electronic, requires 4 pin lamps. Refer to Technical Bulletins tab for additional ballast types.
- 5 Minimum dimming level 5%. 120V or 277V only.
- 6 For compatible Reloc systems, refer to Technical Bulletins tab. Access above ceiling required.
- 7 Must specify voltage, not available with MVOLT.
- 8 Not available with ELR option.
- 9 One 5A relay with one 0-10 VDC dimming output, shipped installed. Requires additional nLight bus power supply.



GOTHAM ARCHITECTURAL DOWNLIGHTING  
1400 Lester Road Conyers Georgia 30012  
P 800 315 4982 F 770 860 3129  
www.gothamlighting.com

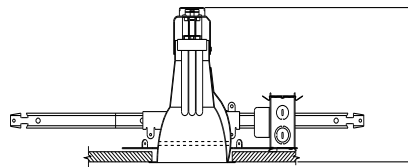
AFVW 5

DCF-360

# 5" AFVW Open Wallwash

## TECHNICAL INFORMATION

Footcandle values are initial and tables are based on minimum of six units. For fixture-to-wall distance other than those shown, use maximum of one-to-one spacing (distance between fixtures not more than distance to wall) for best results.



### Fixture/lamp

### Candlepower data

### Footcandle values

#### AFVW 26TRT 5AR

PL-T 26W/30/4P lamp

1800 rated lumens

Test no. 2196030602

Vertical angle	Plane angle								Luminaire 3' from wall on 3' centers			Luminaire 3' from wall on 4' centers							
	Room side				Wall side				1	2	3	4	5	6	7	8	9	10	
	Room	157½°	135°	112½°	90°	67½°	45°	22½°											Wall
0°	495	495	495	495	495	495	495	495	495	1	8	7	8	6	5	6	12	10	12
5°	551	556	558	557	539	511	484	463	457	2	15	14	15	20	19	20	15	13	15
15°	654	637	641	615	542	495	436	374	355	3	20	19	20	18	19	18	13	15	13
25°	592	569	562	566	492	454	403	344	297	4	18	19	18	16	15	16	11	13	11
35°	419	413	427	416	389	376	381	372	365	5	16	15	16	13	13	13	10	10	10
45°	107	85	94	87	100	132	215	277	296	6	11	11	11	9	9	9	8	9	8
55°	5	5	5	4	4	37	119	153	162	7	9	9	9	7	7	7	7	7	7
65°	2	2	2	2	2	15	65	75	77	8	8	7	8	7	7	7	6	6	6
75°	1	1	1	1	1	6	31	37	39	9	7	6	7	6	6	6	6	6	6
85°	0	0	0	0	0	1	10	10	10	10	7	6	7	6	6	6	6	6	6
90°	0	0	0	0	0	0	0	0	0										

#### AFVW 32TRT 5AR

PL-T 32W/30/4P lamp

2400 rated lumens

Test no. 2196030701

Vertical angle	Plane angle								Luminaire 3' from wall on 3' centers			Luminaire 3' from wall on 4' centers							
	Room side				Wall side				1	2	3	4	5	6	7	8	9	10	
	Room	157½°	135°	112½°	90°	67½°	45°	22½°											Wall
0°	579	579	579	579	579	579	579	579	579	1	9	9	9	7	6	7	14	12	14
5°	656	663	660	653	630	598	566	542	535	2	19	17	19	18	15	18	18	15	18
15°	764	754	745	725	637	584	516	445	417	3	23	22	23	20	22	20	15	17	15
25°	670	656	654	657	559	511	462	403	343	4	20	22	20	18	18	18	13	15	13
35°	489	481	498	485	442	424	434	436	426	5	18	18	18	15	15	15	12	12	12
45°	136	108	107	104	126	162	246	327	350	6	15	15	15	13	13	13	10	10	10
55°	5	5	5	5	5	43	134	187	198	7	13	13	13	11	10	11	8	9	8
65°	3	2	2	3	3	19	78	92	91	8	11	10	11	9	9	9	7	7	7
75°	2	2	1	1	1	7	37	45	46	9	9	9	9	7	7	7	7	7	7
85°	2	2	1	1	0	2	12	14	12	10	7	7	7	7	6	7	7	6	7
90°	0	0	0	0	0	0	0	0	0										

#### AFVW 26TRT 5AR CGL

PL-T 26W/30/4P lamp

1800 rated lumens

Test no. LTL7713

Vertical angle	Plane angle								Luminaire 3' from wall on 3' centers			Luminaire 3' from wall on 4' centers							
	Room side				Wall side				1	2	3	4	5	6	7	8	9	10	
	Room	157½°	135°	112½°	90°	67½°	45°	22½°											Wall
0°	455	455	455	455	455	455	455	455	455	1	7	7	7	5	5	5	14	13	14
5°	507	512	513	512	496	470	445	426	420	2	14	13	14	14	12	14	14	12	14
15°	602	586	590	566	499	455	401	344	327	3	18	17	18	16	17	16	12	14	12
25°	545	523	517	521	453	418	371	316	273	4	16	17	16	14	14	15	10	12	10
35°	385	380	393	383	358	346	351	342	336	5	14	14	15	12	12	12	9	9	9
45°	98	78	86	80	92	121	198	255	272	6	11	12	12	10	10	10	7	8	8
55°	5	5	5	4	4	34	109	141	149	7	9	10	10	7	8	9	6	7	7
65°	2	2	2	2	2	14	60	69	71	8	7	8	9	6	7	7	5	6	6
75°	1	1	1	1	1	6	29	34	36	9	6	7	7	5	6	6	5	5	5
85°	0	0	0	0	0	1	9	9	9	10	5	6	6	5	5	5	5	5	5
90°	0	0	0	0	0	0	0	0	0										

#### AFVW 32TRT 5AR CGL

PL-T 32W/30/4P lamp

2400 rated lumens

Test no. LTL7714

Vertical angle	Plane angle								Luminaire 3' from wall on 3' centers			Luminaire 3' from wall on 4' centers							
	Room side				Wall side				1	2	3	4	5	6	7	8	9	10	
	Room	157½°	135°	112½°	90°	67½°	45°	22½°											Wall
0°	533	533	533	533	533	533	533	533	533	1	8	8	8	7	6	7	13	11	13
5°	604	610	607	601	580	550	521	499	492	2	17	16	17	21	21	21	17	14	17
15°	703	694	685	667	586	537	475	409	384	3	21	21	21	18	20	19	14	16	14
25°	616	604	602	604	514	470	425	371	316	4	18	20	19	16	17	17	12	14	12
35°	450	443	458	446	407	390	399	401	392	5	16	17	17	13	14	14	10	11	11
45°	125	99	98	96	116	149	226	301	322	6	13	14	14	10	12	12	9	9	9
55°	5	5	5	5	5	40	123	172	182	7	10	12	12	8	9	10	7	8	8
65°	3	2	2	3	3	17	72	85	84	8	8	9	10	7	8	8	6	7	7
75°	2	2	1	1	1	6	34	41	42	9	7	8	8	6	7	7	5	6	6
85°	2	2	1	1	0	2	11	13	11	10	6	7	7	5	6	6	5	6	6
90°	0	0	0	0	0	0	0	0	0										

### NOTES:

- For electrical characteristics consult technical bulletins tab.
- Tested to current IES and NEMA standards under stabilized laboratory conditions. Various operating factors can cause differences between laboratory data and actual field measurements. Dimensions and specifications are based on the most current available data and are subject to change without notice.