

FEATURES

OPTICAL SYSTEM

- Self-flanged, semi-specular or matte-diffuse reflector.
- Patented Vertisys® - Bounding Ray™ Optical Principle design (US Patent #5,800,050) provides lamp before lamp image. Lamp image that reflects smoothly from the top of the reflector to the aperture, providing optimal fixture performance and efficiency.

MECHANICAL SYSTEM

- 16-gauge galvanized steel mounting/plaster frame with friction support clips to retain optical system. Maximum 7/8" ceiling thickness.
- 16-gauge galvanized steel mounting bars with continuous 4" vertical adjustment are shipped pre-installed. Post installation adjustment possible without the use of tools from above or below ceiling.
- Galvanized steel junction box with hinged access covers and spring latch. Two combination 1/2"-3/4" and three 1/2" knockouts for straight-through conduit runs. Capacity: 8 (4 in, 4 out) No. 12 AWG conductors, rated for 90°C.

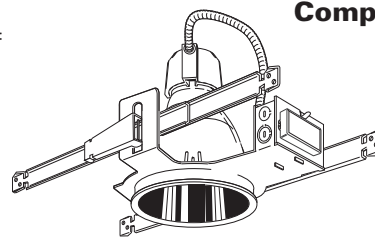
ELECTRICAL SYSTEM

- Rugged aluminum lampholder housing.
- Vertically-mounted, positive-latch, thermoplastic socket.
- Class P, thermally protected, high power factor electronic ballast mounted to the junction box.
- Simply5™ technology available. **SIMPLY5™** LIGHTING INTELLIGENCE

LISTING

- Fixtures are UL Listed for thru-branch wiring, Non-IC recessed mounting and damp locations. Listed and labeled to comply with Canadian Standards.

Type Catalog number

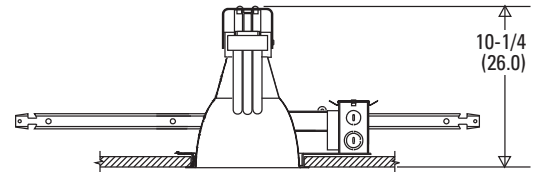


Compact Fluorescent Downlights

6" AFV

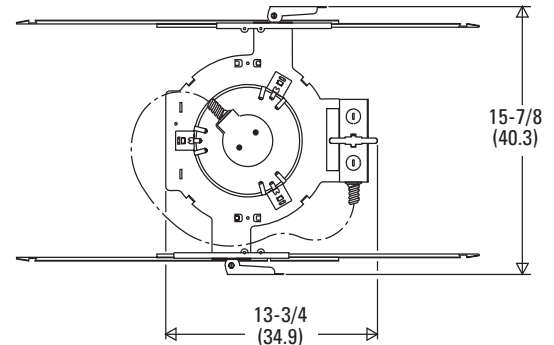
Open Reflector

Vertical Double Twin-Tube or Triple-Tube Lamp



Aperture: 6-1/4 (15.9)
Ceiling opening: 7-1/8 (18.1)
Overlap trim: 7-1/2 (19.1)

10-1/4
(26.0)



All dimensions are inches (centimeters).

15-7/8
(40.3)

13-3/4
(34.9)

*Maximum height depends on lamp wattage/type, dimensions range from 10-3/4" for 18DTT, 26DTT and 42TRT; 9-3/8" for 13DTT, 18TRT, 26TRT and 32TRT

ORDERING INFORMATION

Choose the boldface catalog nomenclature that best suits your needs and write it on the appropriate line. Order accessories as separate catalog numbers (shipped separately).

Example: **AFV 32TRT 6AR MVOLT WLP**

AFV

Series	Wattage /Lamp	Aperture /Trim color	Finish	Voltage	Ballast ³	Options
AFV	13DTT	6AR Clear	(blank) Semi-specular	MVOLT²	(blank) Electronic ballast	EL⁷ Emergency battery pack with integral test switch
	18DTT	6PR Pewter	LD Matte-diffuse	120	ECOS⁴ EcoSystem electronic dimming ballast. Minimum dim-ming level 5%.	ELR⁷ Emergency battery pack. Remote test switch
	26DTT	6UBR Umber		277	ADEZ^{4,5} Advance Mark10® electronic dimming ballast. Minimum dim-ming level 5%	GMP⁸ Single, slow-blow fuse
	18TRT	6WTR Wheat		347	S5⁶ SIMPLY5™ system ballast	GLR⁸ Single, fast-blow fuse
	26TRT	6WR¹ White painted				TRW White painted flange (standard on MB andWB)
	32TRT	6MB¹ Black baffle				TRBL Black painted flange
	42TRT	6WB¹ White baffle				GSKT Foam gasketing

NOTES

- 1 Not available with finishes.
- 2 Multi-volt electronic ballast capable of operating on any line voltage from 120V through 277V, 50 or 60 Hz.
- 3 For additional ballast types, refer to Technical Bulletins tab.
- 4 Not available with 13DTT.
- 5 Available in 120V or 277V only.
- 6 Simply5™ includes 9' S5 MLC Reloc wiring system (shipped separately). Available in 120V or 277V only. Not available in 13V or 18W. See simply5.net for more information.
- 7 For dimensional changes, refer to Technical Bulletins tab.
- 8 Not available with MVOLT.
- 9 For compatible Reloc systems, refer to Technical Bulletins tab.
- 10 Not available with EL or ELR options.
- 11 Meets codes that require in-fixture disconnect.
- 12 One 5A relay with one 0-10 VDC dimming output, shipped installed. Requires additional nLight bus power supply.

Accessories

- Order as separate catalog numbers.
- SCA6** Sloped ceiling adapter. Degree of slope must be specified (10D, 15D, 20D, 25D, 30D). Ex: SCA6 10D
 - CTA4-8 YK** Ceiling thickness adapter. (Extends mounting frame to accommodate ceiling thickness up to 4-1/4" DTT and 3-1/4" TRT)

- WLP** With 3500°K lamp (shipped separately)
- LRC⁹** Provides compatibility with Lithonia Reloc System. Reloc System can be installed less this option with connectors provided by others. Access above ceiling required
- CP¹⁰** Chicago Plenum
- CSA** CSA Certified
- BDP¹¹** Ballast disconnect plug
- HW** Hardware for S5 system; replaces Reloc
- ELHL⁷** High lumen output emergency battery pack. Integral test switch provided
- ELRHL⁷** High lumen output emergency battery pack. Remote test switch provided
- NSD¹²** Sensorswitch nLight™ dimming relay

6" AFV Open Reflector

Distribution curve Distribution data Output data Coefficient of utilization Illuminance Data at 30" Above Floor for a Single Luminaire

AFV 26TRT 6AR, (1) PL-T 26W/30/4P lamp, 1800 rated lumens, 1.2 s/mh, Test No. 94021501

Distribution curve	Distribution data		Output data			Coefficient of utilization					Illuminance Data at 30" Above Floor for a Single Luminaire								
	From 0°	Ave Lumens	Zone Lumens	% lamp	pf pc	80%		70%		50%		50% beam angle 63.7°		10% beam angle 93.3°					
						50%	30%	50%	30%	50%	30%	Mount height	Initial fc at beam center	Beam diameter	fc at beam edge	Beam diameter	fc at beam edge		
	0°	676	0°-30°	559.4	31.1	1	66	65	65	63	62	61	8'	22.3	6.8'	11.2	11.7'	2.2	
	5°	706	0°-40°	871.9	48.4	2	61	58	60	57	58	56	10'	12.0	9.3'	6.0	15.9'	1.2	
	15°	704	0°-60°	1085.5	60.3	3	56	53	55	52	53	51	12'	7.5	11.8'	3.7	20.1'	0.7	
	25°	639	0°-90°	1085.7	60.3	4	51	48	51	47	49	46	14'	5.1	14.3'	2.6	24.4'	0.5	
	35°	505	90°-180°	0	0.0	5	47	43	47	43	46	42	16'	3.7	16.8'	1.9	28.6'	0.4	
	45°	269	0°-180°	1085.7	60.3*	6	44	40	43	39	42	39							
	55°	4				7	41	36	40	36	39	36							
	65°	0				8	38	34	37	33	37	33							
	75°	0				9	35	31	35	31	34	31							
	85°	0				10	33	29	32	29	32	28							
	90°	0																	

AFV 32TRT 6AR, (1) PL-T 32W/30/4P lamp, 2400 rated lumens, 1.1 s/mh, Test No. 17111

Distribution curve	Distribution data		Output data			Coefficient of utilization					Illuminance Data at 30" Above Floor for a Single Luminaire								
	From 0°	Ave Lumens	Zone Lumens	% lamp	pf pc	80%		70%		50%		50% beam angle 54.6°		10% beam angle 89.4°					
						50%	30%	50%	30%	50%	30%	Mount height	Initial fc at beam center	Beam diameter	fc at beam edge	Beam diameter	fc at beam edge		
	0°	1146	0°-30°	787.2	54.7	1	66	64	65	63	62	61	8'	37.9	5.7'	18.9	10.9'	3.8	
	5°	1150	0°-40°	1177.5	49.1	2	61	58	60	57	58	56	10'	20.4	7.7'	10.2	14.8'	2.0	
	15°	1012	0°-60°	1430.1	59.6	3	56	53	55	52	53	51	12'	12.7	9.8'	6.4	18.8'	1.3	
	25°	861	0°-90°	1438.3	59.9	4	52	48	51	47	49	47	14'	8.7	11.9'	4.3	22.8'	0.9	
	35°	631	90°-180°	0	0.0	5	48	44	47	43	46	43	16'	6.3	13.9'	3.1	26.7'	0.6	
	45°	308	0°-180°	1438.3	59.9*	6	44	40	44	40	43	39							
	55°	20				7	41	37	41	37	40	36							
	65°	6				8	38	34	38	34	37	34							
	75°	2				9	36	32	35	32	35	31							
	85°	0				10	33	29	33	29	33	29							
	90°	0																	

AFV 32TRT 6MB, (1) PL-T 32W/30/4P lamp, 2400 rated lumens, 1.0 s/mh, Test no. 2196071001

Distribution curve	Distribution data		Output data			Coefficient of utilization					Illuminance Data at 30" Above Floor for a Single Luminaire								
	From 0°	Ave Lumens	Zone Lumens	% Lamp	pf pc	80%		70%		50%		50% beam angle 53.6°		10% beam angle 84.2°					
						50%	30%	50%	30%	50%	30%	Mount height	Initial fc at beam center	Beam diameter	fc at beam edge	Beam diameter	fc at beam edge		
	0°	903	0°-30°	643	26.8	0	50	50	50	49	49	49	8.0	29.9	5.6	14.9	9.9	3.0	
	5°	951	0°-40°	906	37.7	1	46	45	44	45	45	44	10.0	16.1	7.6	8.0	13.6	1.6	
	15°	861	0°-60°	1007	42.0	2	43	41	40	42	41	39	12.0	10.0	9.6	5.0	17.2	1.0	
	25°	682	0°-90°	1007	42.0	3	40	38	36	39	37	36	14.0	6.8	11.6	3.4	20.8	0.7	
	35°	428	90°-180°	0	0.0	4	37	35	33	37	34	33	16.0	5.0	13.6	2.5	24.4	0.5	
	45°	134	0°-180°	1007	42.0	5	35	32	30	34	32	30							
	55°	0				6	32	30	28	32	30	28							
	65°	0				7	30	28	26	30	27	26							
	75°	0				8	28	26	24	28	26	24							
	85°	0				9	27	24	22	26	24	22							
	90°	0				10	25	22	21	25	22	21							

ENERGY (Calculated in accordance with NEMA standard LE-5A)					
LER,DOH	Annual* Energy Cost	Lamps	Lamp Lumens	Ballast Factor	Input Watts
32	\$7.44	(1) 26W DTT	1800	1.0	20
39	\$6.12	(1) 26W TRT	1800	1.0	28
38	\$6.34	(1) 32W TRT	2400	0.98	36

*Comparative yearly lighting energy cost per 1000 lumens

NOTES:
 1. For electrical characteristics consult Technical Bulletins tab.
 2. Tested to current IES and NEMA standards under stabilized laboratory conditions. Various operating factors can cause differences between laboratory data and actual field measurements. Dimensions and specifications are based on the most current available data and are subject to change without notice.

DCF-370

©2007, 2009, 2011 Acuity Brands Lighting, Inc.
 All Rights Reserved

gotham
 An Acuity Brands Company

GOtham ARCHITECTURAL DOWNLIGHTING
 A DIVISION OF ACUITY LIGHTING GROUP, INC.
 1400 Lester Road Conyers Georgia 30012
 P 800 315 4982 F 770 860 3129
 www.gothamlighting.com