

FEATURES

OPTICAL SYSTEM

- Self-flanged, semi-specular or matte-diffuse reflector.
- Patented Bounding Ray™ Optical Principle design (U.S. Patent No. 5,800,050) provides lamp before lamp image and smooth transition from top of reflector to bottom. Minimum flange matches reflector finish.
- Highly reflective outer kicker reflector provides smooth, uniform illumination floor to ceiling, edge to edge. Inner cone is contoured to eliminate room side flash. For optimal uniformity, the recommended luminaire spacing is 3' from the wall and 3' centers.

MECHANICAL SYSTEM

- 16-gauge galvanized steel mounting/plaster frame with friction support springs to retain optical system. Maximum 7/8" ceiling thickness.
- 16-gauge galvanized steel with continuous 4" vertical adjustment, are shipped pre-installed. Post installation adjustment possible without the use of tools from above or below the ceiling.
- Galvanized steel junction box with bottom-hinged access covers and spring latch. Two combination 1/2"-3/4" and two 1/2" knockouts for straight-through conduit runs. Capacity: 8 (4 in, 4 out) No. 12 AWG conductors rated for 90°C.

ELECTRICAL SYSTEM

- Horizontally-mounted, positive latch thermoplastic socket(s).
- Class P, thermally-protected, high power factor ballast(s) mounted to the junction box.
- Simply5™ technology available. SIMPLY5™ LIGHTING INTELLIGENCE

LISTING

- Fixtures are UL Listed for thru-branch wiring, Non-IC recessed mounting and damp locations. Listed and labeled to comply with Canadian Standards (see Options).

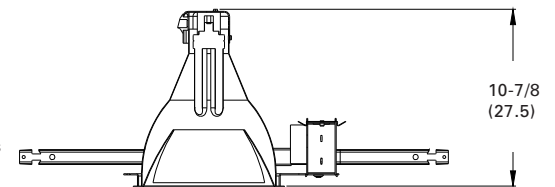
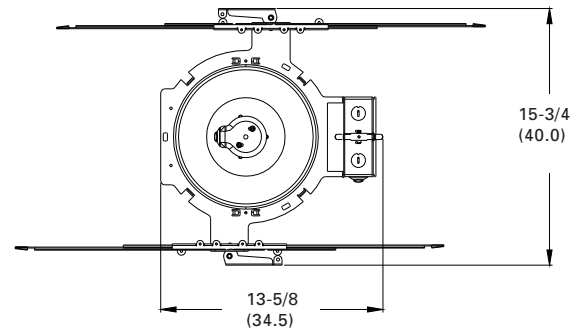
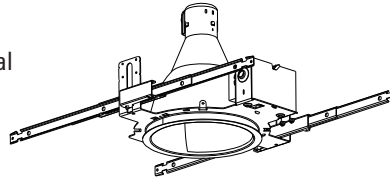
Type Catalog number

Compact Fluorescent Downlights

8" AFWW

Open Wallwash

Vertical Double Twin-Tube or Triple-tube Lamp



All dimensions are inches (centimeters)

*Maximum height depends on lamp wattage/type, dimension 10-5/8 to 11-5/8 for 18DTT, 26DTT, and U2 TRT; 10-1/8" for 13DTT, 18DRT, 26TRT a

ORDERING INFORMATION

Example: **AFWW 32TRT 8AR MVOLT WLP**

Choose the boldface catalog nomenclature that best suits your needs and write it on the appropriate line.

AFWW

Series	Wattage/Lamp	Aperture/Trim color	Finish	Lens Type	Voltage	Ballast ³	Options
AFWW	13DTT	8AR Clear	(blank) Semi-specular	(blank) No lens	MVOLT²	(blank) Electronic ballast	WLP 3500°K lamp (shipped separately)
	18DTT	8PR Pewter		CGL Clear glass lens	120	ECOS⁴ EcoSystem electronic dimming ballast. Minimum dimming level 5%.	TRW White painted flange
	26DTT	8WTR Wheat	LD Matte-diffuse	PCL Clear polycarbonate lens	277	ADEZ^{4,7} Advance Mark X™ electronic dimming ballast. Minimum dimming level 5%.	ELR⁶ Emergency battery pack. Remote test switch provided
	18TRT	8WR¹ White painted		CAL Clear acrylic lens	347	S5⁵ SIMPLY5™ system ballast	EL^{6,7} Emergency battery pack with integral test switch
	26TRT					S5HW SIMPLY5™ system ballast less reloc	ELHL^{6,7} High lumen output emergency battery pack. Integral test switch provided
	32TRT						ELRHL⁶ High lumen output emergency battery pack. Remote test switch provided
	42TRT						GMF⁸ Single, slow-blow fuse
							LR⁹ Provides compatibility with Lithonia Reloc System.
							HW Hardwire for S5 system; replaces Reloc
							CP¹⁰ Chicago Plenum
							GLR⁸ Single, fast blow fuse
							BDP¹¹ Ballast disconnect plug
							NSD¹² Sensorswitch nLight™ dimming relay

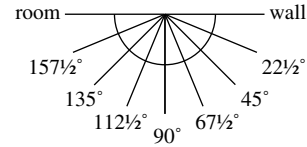
NOTES

- 1 Not available with finishes.
- 2 Multi-volt electronic ballast capable of operating on any line voltage from 120V through 277V, 50 or 60Hz.
- 3 For additional ballast types, refer to Technical Bulletins tab.
- 4 Not available with 13DTT.
- 5 Simply5™ includes 9' S5 MLC Reloc wiring system (shipped separately). Available in 120V or 277V only. Not available in 13W or 18W. See simply5.net for more information.
- 6 For dimensional changes, refer to Technical Bulletins tab.
- 7 Not available with lens.
- 8 Not available with MVOLT. Must specify voltage.
- 9 For compatible Reloc systems, refer to Technical Bulletins tab.
- 10 Not available with EL or ELR option.
- 11 Meets codes that require in-fixture disconnect.
- 12 One 5A relay with one 0-10 VDC dimming output, shipped installed. Requires additional nLight bus power supply.

8" AFVW Open Wallwash

TECHNICAL INFORMATION

Footcandle values are initial and tables are based on minimum of six units. For fixture-to-wall distance other than those shown, use maximum of one-to-one spacing (distance between fixtures not more than distance to wall) for best results.



Fixture/lamp

Candlepower data

Footcandle values

AFVW 32TRT 8AR

PL-T 32/30/4P lamp

2400 rated lumens

Test no. LTL 17615

Vertical Angle	Wall	Plane angle						
		22.5	45	67.5	90	112.5	135	157.5
0	1135	1135	1135	1135	1135	1135	1135	1135
5	1102	1072	1047	1018	999	987	984	990
15	854	840	801	757	726	713	703	691
25	614	624	608	567	533	526	524	518
35	432	436	411	377	350	330	314	303
45	257	244	221	197	172	149	129	119
55	137	132	115	93	70	46	26	19
65	83	76	61	43	24	10	2	1
75	42	37	28	18	9	3	1	0
85	12	9	6	3	1	0	0	0
90	0	0	0	0	0	0	0	0

ft. from ceiling	Wallwash Illuminance Study (fc)								
	Illuminance on wall from 6 luminaires								
	Luminaire mounted 3 ft. from wall			Luminaire mounted 3 ft. from wall			Luminaire mounted 3 ft. from wall		
	3 ft. between luminaires			4 ft. between luminaires			5 ft. between luminaires		
	3	3.5	4	3	3.5	4	3	3.5	4
1	7	6	7	6	4	6	6	3	6
2	13	12	13	10	8	10	9	6	9
3	16	15	16	13	10	13	12	7	12
4	17	17	17	13	12	13	11	9	11
5	16	16	16	12	12	12	10	9	10
6	14	14	14	10	10	10	8	8	8
7	12	12	12	9	9	9	7	7	7
8	10	10	10	8	7	8	6	6	6
9	8	8	8	6	6	6	5	5	5
10	7	7	7	5	5	5	4	4	4

AFVW 42TRT 8AR

PL-T 42/30/4P lamp

3200 rated lumens

Test no. LTL17616

Vertical Angle	Wall	Plane angle						
		22.5	45	67.5	90	112.5	135	157.5
0	1248	1248	1248	1248	1248	1248	1248	1248
5	1280	1271	1249	1218	1185	1159	1144	1136
15	1082	1077	1040	996	967	950	936	917
25	823	835	798	753	725	715	701	680
35	558	550	519	482	451	423	400	386
45	311	299	275	245	217	190	166	150
55	174	167	148	121	92	64	38	25
65	107	100	81	58	35	16	4	2
75	55	49	38	25	14	5	1	1
85	15	12	9	5	2	1	0	0
90	0	0	0	0	0	0	0	0

ft. from ceiling	Wallwash Illuminance Study (fc)								
	Illuminance on wall from 6 luminaires								
	Luminaire mounted 3 ft. from wall			Luminaire mounted 3 ft. from wall			Luminaire mounted 3 ft. from wall		
	3 ft. between luminaires			4 ft. between luminaires			5 ft. between luminaires		
	3	3.5	4	3	3.5	4	3	3.5	4
1	10	8	10	8	5	8	7	4	7
2	16	15	16	13	11	13	12	7	12
3	20	18	20	16	13	16	14	9	14
4	21	21	21	17	15	17	15	11	15
5	20	20	20	15	15	15	13	11	13
6	17	17	17	13	13	13	11	10	11
7	15	15	15	11	11	11	9	9	9
8	12	12	13	10	10	10	8	8	8
9	10	10	10	8	8	8	7	7	7
10	9	9	9	7	7	7	6	6	6

AFVW 32TRT 8AR CGL

PL-T 32/30/4P lamp

2400 rated lumens

Test no. LTL7726

Vertical Angle	Wall	Plane angle						
		22.5	45	67.5	90	112.5	135	157.5
0	1107	1107	1107	1107	1107	1107	1107	1107
5	1036	1047	1091	1150	1229	1248	1225	1174
15	788	816	914	1048	1145	1256	1229	1219
25	674	727	762	859	948	1008	946	983
35	525	556	568	634	696	703	650	662
45	326	361	312	180	158	167	199	210
55	179	201	196	46	4	0	4	5
65	89	110	98	19	0	0	0	0
75	45	41	57	3	0	0	0	0
85	0	6	8	0	0	0	0	0
90	0	0	0	0	0	0	0	0

ft. from ceiling	Wallwash Illuminance Study (fc)								
	Illuminance on wall from 6 luminaires								
	Luminaire mounted 3 ft. from wall			Luminaire mounted 3 ft. from wall			Luminaire mounted 3 ft. from wall		
	3 ft. between luminaires			4 ft. between luminaires			5 ft. between luminaires		
	3	3.5	4	3	3.5	4	3	3.5	4
1	9	8	9	7	6	7	6	5	6
2	16	17	16	13	12	13	11	9	11
3	22	21	22	16	14	16	14	11	14
4	21	22	21	16	17	16	14	12	14
5	19	19	19	13	15	13	10	12	10
6	16	17	16	12	12	12	9	10	9
7	14	14	14	10	11	10	8	8	8
8	12	12	12	9	9	9	7	7	7
9	10	10	10	8	8	8	6	6	6
10	8	9	8	7	6	7	5	5	5

AFVW 42TRT 8AR CGL

PL-T 42/30/4P lamp

3200 rated lumens

Test no. LTL7727

Vertical Angle	Wall	Plane angle						
		22.5	45	67.5	90	112.5	135	157.5
0	1091	1091	1091	1091	1091	1091	1091	1091
5	960	1005	1061	1128	1219	1260	1256	1200
15	640	705	827	972	1104	1209	1178	1215
25	688	752	830	871	978	1069	1007	1047
35	631	675	673	638	719	742	698	719
45	407	454	358	179	120	123	111	143
55	222	239	218	31	0	3	13	6
65	107	121	126	26	0	0	4	0
75	60	57	62	0	0	0	0	0
85	14	13	3	0	0	0	0	0
90	0	0	0	0	0	0	0	0

ft. from ceiling	Wallwash Illuminance Study (fc)								
	Illuminance on wall from 6 luminaires								
	Luminaire mounted 3 ft. from wall			Luminaire mounted 3 ft. from wall			Luminaire mounted 3 ft. from wall		
	3 ft. between luminaires			4 ft. between luminaires			5 ft. between luminaires		
	3	3.5	4	3	3.5	4	3	3.5	4
1	11	9	11	8	7	8	8	5	8
2	21	20	21	16	14	16	14	10	14
3	26	26	26	20	17	20	17	13	17
4	25	26	25	19	19	19	16	14	16
5	22	22	22	15	15	15	12	14	12
6	18	19	18	13	14	13	10	12	10
7	15	15	15	11	11	11	9	9	9
8	12	12	12	9	10	9	7	8	7
9	10	10	10	7	8	7	6	6	6
10	8	8	8	6	6	6	5	5	5

NOTES:

- For electrical characteristics consult Technical Bulletins tab.
- Tested to current IES and NEMA standards under stabilized laboratory conditions. Various operating factors can cause differences between laboratory data and actual field measurements. Dimensions and specifications are based on the most current available data and are subject to change without notice.

DCF-410

©2007, 2009 Acuity Brands Lighting, Inc.
All Rights reserved

gotham
An Acuity Brands Company

GOTHAM ARCHITECTURAL DOWNLIGHTING
1400 Lester Road Conyers Georgia 30012
P 800 315 4982 F 770 860 3129
www.gothamlighting.com