

FEATURES

OPTICAL SYSTEM

- Self-flanged, semi-specular or matte-diffuse reflector.
- Patented Vertisys® - Bounding Ray™ Optical Principle design (US Patent #5,800,050) provides lamp before lamp image. Lamp image that reflects smoothly from the top of the reflector to the aperture, providing optimal fixture performance and efficiency.

MECHANICAL SYSTEM

- 16-gauge galvanized steel mounting/plaster frame with friction support clips to retain optical system. Maximum 7/8" ceiling thickness.
- 16-gauge galvanized steel mounting bars with continuous 4" vertical adjustment are shipped pre-installed. Post installation adjustment possible without the use of tools from above or below ceiling.
- Galvanized steel junction box with hinged access covers and spring latch. Two combination 1/2"-3/4" and three 1/2" knockouts for straight-through conduit runs. Capacity: 8 (4 in, 4 out) No. 12 AWG conductors, rated for 90°C.

ELECTRICAL SYSTEM

- Rugged aluminum lampholder housing.
- Vertically-mounted, positive-latch, thermoplastic socket.
- Class P, thermally protected, high power factor electronic ballast mounted to the junction box.
- Simply5™ technology available. **SIMPLY5™** LIGHTING INTELLIGENCE

LISTING

- Fixtures are UL Listed for thru-branch wiring, Non-IC recessed mounting and damp locations. Listed and labeled to comply with Canadian standards.

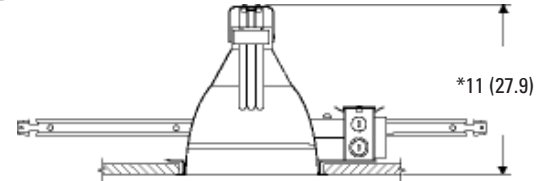
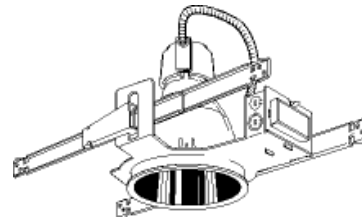
Type Catalog number

Compact Fluorescent Downlights

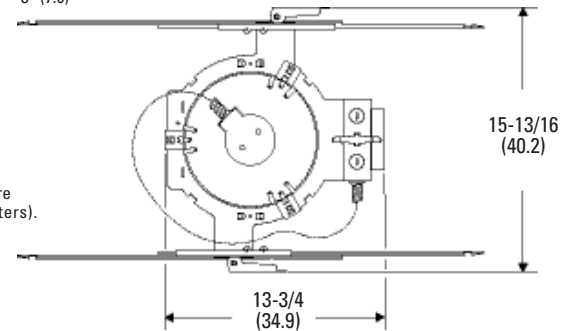
8" AFV

Lensed Reflector

Vertical Double Twin-Tube or Triple-Tube Lamp



Aperture: 7-7/8 (20.1)
Ceiling opening: 8-7/8 (21.5)
Overlap trim: 9-1/4 (23.5)
Lens recess: 3 (7.6)



All dimensions are inches (centimeters).

*Maximum height depends on lamp wattage/type, dimensions range from 10-1/8" to 11" for 18DTT, 26DTT and 42TRT; 10-1/8" for 13DTT, 18TRT, 26TRT and 32TRT

ORDERING INFORMATION

Choose the boldface catalog nomenclature that best suits your needs and write it on the appropriate line. Order accessories as separate catalog numbers (shipped separately).

Example: **AFV32TRT8MB CGLMVOLTWLP**

AFV

Series	Wattage/Lamp	Aperture/Trim color	Finish	Lens type	Voltage	Ballast ³	Options
AFV	13DTT	8AR Clear	Finish (blank) Semi-specular LD Matte-diffuse	CGL Clear glass lens	MVOLT² (blank)	Electronic ballast	ELR⁶ Emergency battery pack. Remote test switch
	18DTT	8PR Pewter		CAL Clear acrylic lens	120	ECOS⁴ EcoSystem electronic dimming ballast. Minimum dimming level 5%.	GMF⁷ Single, slow-blow fuse
	26DTT	8UBR Umber		PCL Clear polycarbonate lens	277	ADEZ^{4,7} Advance Mark 10 [®] electronic dimming ballast. Minimum dimming level 5%	GLR⁷ Single, fast-blow fuse
	18TRT	8WTR Wheat		T73 Tempered prismatic lens	347	S5⁵ SIMPLY5™ system ballast	TRW White painted flange (standard on MB and WB)
	26TRT	8WR¹ White painted		A12 Prismatic acrylic lens		S5⁵ SIMPLY5™ system ballast	TRBL Black painted flange
	32TRT	8MB¹ Black baffle		PPC Prismatic polycarbonate lens		S5 HW SIMPLY5™ system ballast less Reloc	GSKT Foam gasketing
	42TRT	8WB¹ White baffle		FOL Flat opal lens			WLP With 3500 K lamp (shipped separately)
							LRC⁹ Provides compatibility with Lithonia Reloc System. Access above ceiling required.
							CP⁹ Chicago plenum
							CSA CSA certified

NOTES

- 1 Not available with finishes.
- 2 Multi-volt electronic ballast capable of operating on any line voltage from 120V through 277V, 50 or 60Hz.
- 3 For additional ballast types, refer to Technical Bulletins tab.
- 4 Not available with 13DTT.
- 5 Simply5™ includes 9' S5 MLC Reloc wiring system (shipped separately). Available in 120V or 277V only. Not available in 13W or 18W. See simply5.net for more information.
- 6 For dimensional changes, refer to Technical Bulletins tab.
- 7 Not available with MVOLT. Must specify voltage.
- 8 For compatible Reloc systems, refer to Technical Bulletins tab.
- 9 Not available with EL, ELHL, ELR or ELRHL options.
- 10 Meets codes that require in-fixture disconnect.
- 11 One 5A relay with one 0-10 VDC dimming output, shipped installed. Requires additional nLight bus power supply.

Accessories

Order as separate catalog numbers.

- SCA8** Sloped ceiling adaptor. Degree of slope must be specified (10D, 15D, 20D, 25D, 30D). Ex: SCA8 10D
- CTA860** Ceiling thickness adaptor. (Extends mounting frame to accommodate ceiling thickness up to 2")

- BDP¹⁰** Ballast disconnect plug
- ELRHL⁶** High lumen output emergency battery pack. Remote test switch provided.
- NSD¹¹** Sensor Switch nLight™ dimming relay
- WL** Wet location

8" AFV Lensed

Distribution curve Distribution data Output data Coefficient of utilization Illuminance Data at 30" Above Floor for a Single Luminaire

AFV 26TRT 8AR CGL, (1) PL-T 26W/30K/4P lamp, 1800 rated lumens, 1.2 s/mh, Test no. LTL7766

90° 180 360 540 720 900 0°	From 0°		Zone Lumens %lamp	Lumens %lamp	pf pc pw	80%		20%		50%	50%	50%	Mount height	Initial fc at beam center	50%		10%		
	0°	cp.				50%	30%	50%	30%						beam angle 63.9°	beam angle 93.8°			
	Lumens	Lumens				50%	30%	50%	30%						fc at beam edge	Beam diameter	fc at beam edge	Beam diameter	
0°	0	764	0	0°-30°	629	35.0	1	76	74	73	70	69	68	8'	25.3	6.9'	12.6	11.8'	2.5
5°	5	800	76	0°-40°	933	55.2	2	70	66	69	64	64	62	10'	13.6	9.3'	6.8	16.0'	1.3
15°	15	806	228	0°-60°	1249	69.4	3	64	60	65	58	59	57	12'	8.5	11.8'	4.2	20.3'	0.8
25°	25	701	324	0°-90°	1249	69.4	4	59	54	61	53	55	52	14'	5.8	14.3'	2.9	24.6'	0.6
35°	35	579	364	90°-180°	0	0.0	5	54	49	57	48	51	48	16'	4.2	16.8'	2.1	28.9'	0.4
45°	45	325	252	0°-180°	1249	69.4*	6	50	45	54	44	47	44						
55°	55	5	4				7	46	41	51	41	44	40						
65°	65	0	0	*Efficiency			8	43	38	48	37	41	37						
75°	75	0	0				9	40	35	45	34	38	34						
85°	85	0	0				10	37	32	42	32	35	32						
90°	90	0	0																

AFV 32TRT 8AR CGL, (1) PL-T 32W/30K/4P lamp, 2400 rated lumens, 1.0 s/mh, Test no. LTL7728

90° 280 560 840 1120 1400 0°	From 0°		Zone Lumens %lamp	Lumens %lamp	pf pc pw	80%		20%		50%	50%	50%	Mount height	Initial fc at beam center	50%		10%		
	0°	cp.				50%	30%	50%	30%						beam angle 55.3°	beam angle 87.6°			
	Lumens	Lumens				50%	30%	50%	30%						fc at beam edge	Beam diameter	fc at beam edge	Beam diameter	
0°	0	1236	0	0°-30°	922	38.4	1	71	69	68	66	64	63	8'	40.9	5.8'	20.4	10.6'	4.0
5°	5	1325	126	0°-40°	1348	56.2	2	65	63	65	60	60	59	10'	22.0	7.9'	11.0	14.4'	2.2
15°	15	1252	355	0°-60°	1551	64.6	3	61	57	61	55	56	54	12'	13.7	9.9'	6.8	18.2'	1.4
25°	25	953	441	0°-90°	1552	64.7	4	56	52	58	51	53	50	14'	9.3	12.0'	4.7	22.1'	0.9
35°	35	678	426	90°-180°	0	0.0	5	52	48	55	47	49	46	16'	6.8	14.1'	3.4	25.9'	0.7
45°	45	258	200	0°-180°	1552	64.7*	6	48	44	52	43	46	43						
55°	55	4	4	*Efficiency			7	45	41	49	40	43	40						
65°	65	1	0				8	42	38	46	37	40	37						
75°	75	0	0				9	39	35	44	35	38	35						
85°	85	0	0				10	37	33	42	33	36	32						
90°	90	0	0																

AFV 42TRT 8AR CGL, (1) PL-T 42W/30K/4P lamp, 3200 rated lumens, 1.0 s/mh, Test no. LTL7729

90° 340 680 1020 1360 1700 0°	From 0°		Zone Lumens %lamp	Lumens %lamp	pf pc pw	80%		20%		50%	50%	50%	Mount height	Initial fc at beam center	50%		10%		
	0°	cp.				50%	30%	50%	30%						beam angle 53.7°	beam angle 85.9°			
	Lumens	Lumens				50%	30%	50%	30%						fc at beam edge	Beam diameter	fc at beam edge	Beam diameter	
0°	0	1443	0	0°-30°	1020	31.9	1	58	56	55	53	52	52	8'	47.7	5.6'	23.8	10.2'	4.7
5°	5	1569	150	0°-40°	1494	46.7	2	53	51	53	49	49	48	10'	25.7	7.6'	12.8	14.0'	2.5
15°	15	1349	383	0°-60°	1677	52.4	3	49	47	50	45	46	44	12'	16.0	9.6'	8.0	17.7'	1.6
25°	25	1053	488	0°-90°	1684	52.6	4	46	43	47	41	43	41	14'	10.9	11.7'	5.5	21.4'	1.1
35°	35	756	475	90°-180°	0	0.0	5	42	39	45	38	40	38	16'	7.9	13.7'	4.0	25.1'	0.8
45°	45	224	174	0°-180°	1684	52.6*	6	40	36	42	36	38	35						
55°	55	10	9	*Efficiency			7	37	34	40	33	35	33						
65°	65	4	4				8	34	31	38	31	33	30						
75°	75	2	2				9	32	29	36	29	31	28						
85°	85	2	2				10	30	27	34	27	29	27						
90°	90	0	0																

AFV 32TRT 8MB CGL, (1) PL-T 32W/30K/4P lamp, 2400 rated lumens, 1.0 s/mh, Test no. LTL7730

90° 240 480 720 960 1200 0°	From 0°		Zone Lumens %lamp	Lumens %lamp	pf pc pw	80%		20%		50%	50%	50%	Mount height	Initial fc at beam center	50%		10%		
	0°	cp.				50%	30%	50%	30%						beam angle 50.9°	beam angle 84.3°			
	Lumens	Lumens				50%	30%	50%	30%						fc at beam edge	Beam diameter	fc at beam edge	Beam diameter	
0°	0	1087	0	0°-30°	760	31.7	1	54	53	52	50	49	49	8'	35.9	5.2'	18.0	10.0'	3.6
5°	5	1177	112	0°-40°	1063	44.3	2	50	48	50	46	46	45	10'	19.3	7.1'	9.7	13.6'	1.9
15°	15	1064	302	0°-60°	1191	49.6	3	47	44	47	43	44	42	12'	12.0	9.0'	6.0	17.2'	1.2
25°	25	747	346	0°-90°	1191	49.6	4	43	41	45	40	41	39	14'	8.2	10.9'	4.1	20.8'	0.8
35°	35	483	303	90°-180°	0	0.0	5	41	38	42	37	38	36	16'	6.0	12.8'	3.0	24.5'	0.6
45°	45	162	126	0°-180°	1191	49.6*	6	38	35	40	34	36	34						
55°	55	2	2	*Efficiency			7	35	32	38	32	34	31						
65°	65	0	0				8	33	30	36	30	32	29						
75°	75	0	0				9	31	28	34	28	30	27						
85°	85	0	0				10	29	26	33	26	28	26						
90°	90	0	0																

AFV 42TRT 8MB CGL, (1) PL-T 42W/30K/4P lamp, 3200 rated lumens, .9 s/mh, Test no. LTL7731

90° 320 640 960 1280 1600 0°	From 0°		Zone Lumens %lamp	Lumens %lamp	pf pc pw	80%		20%		50%	50%	50%	Mount height	Initial fc at beam center	50%		10%		
	0°	cp.				50%	30%	50%	30%						beam angle 49.5°	beam angle 81.7°			
	Lumens	Lumens				50%	30%	50%	30%						fc at beam edge	Beam diameter	fc at beam edge	Beam diameter	
0°	0	1378	0	0°-30°	937	29.3	1	47	46	45	44	43	42	8'	45.6	5.1'	22.8	9.5'	4.5
5°	5	1522	145	0°-40°	1283	40.1	2	44	42	43	40	40	39	10'	24.5	6.9'	12.2	13.0'	2.4
15°	15	1306	370	0°-60°	1374	42.9	3	41	39	41	37	38	37	12'	15.3	8.8'	7.6	16.4'	1.5
25°	25	911	422	0°-90°	1374	42.9	4	38	36	39	35	36	34	14'	10.4	10.6'	5.2	19.9'	1.0
35°	35	550	346	90°-180°	0	0.0	5	36	33	37	32	34	32	16'	7.6	12.4'	3.8	23.3'	0.7
45°	45	116	90	0°-180°	1374	42.9*	6	33	31	35	30	32	30						
55°	55	1	1	*Efficiency			7	31	29	34	28	30	28						
65°	65	0	0				8	29	27	32	26	28	26						
75°	75	0	0				9	28	25	30	25	27	25						
85°	85	0	0				10	26	25	29	23	25	23						
90°	90	0	0																

NOTES:
 1. For electrical characteristics consult Technical Bulletins tab.
 2. Tested to current IES and NEMA standards under stabilized laboratory conditions. Various operating factors can cause differences between laboratory data and actual field measurements. Dimensions and specifications are based on the most current available data and are subject to change without notice.

DCF-420

©2007-2012 Acuity Brands Lighting, Inc.
 All Rights Reserved. Rev. 03/15/12
 Specifications subject to change without notice.



GOTHAM ARCHITECTURAL DOWNLIGHTING
 1400 Lester Road Conyers Georgia 30012
 P 800 315 4982 F 770 860 3129
 www.gothamlighting.com