

FEATURES

OPTICAL SYSTEM

- Self-flanged, matte-diffuse high impact polymer finishing trim with a durable, proprietary vapor deposition finish.
- Patented optical design provides lamp before lamp image and smooth transition from top of the reflector to bottom. Patented Bounding Ray™ Optical Principle design (U.S. Patent No. 5,800,050).
- One piece trim eliminates mitered flange corners and inside corner gaps.
- Lamp snoot minimizes stray light in housing and accommodates up to two lenses.
- Relamping capability from above or below ceiling.

MECHANICAL SYSTEM

- Rolled steel housing with matte black finish and 16-gauge painted steel mounting/plaster fram accommodates up to 1-1/2" thick ceiling materials.
- Patent-pending adjustable aperture allows 1/4" adjustments in all directions and up to 5° of rotation allowing post-installation adjustments to ensure trim to trim alignment.
- 16-gauge galvanized steel mounting bars with continuous 4" vertical adjustments are shipped pre-installed.
- Post-installation adjustment possible without the use of tools from above or below ceiling.
- Secondary housing adjustment system for precise, final ceiling to flange alignment.

ELECTRICAL SYSTEM

- GX10 socket assembly, electronic ballast and thermally activated insulation detector provided with easy tool-less removal.

LISTING

- Fixtures are UL listed for thru-branch wiring, Non-IC recessed mounting and damp locations. Listed and labeled to comply with Canadian Standards.

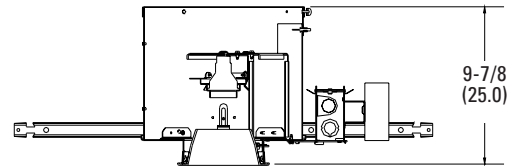
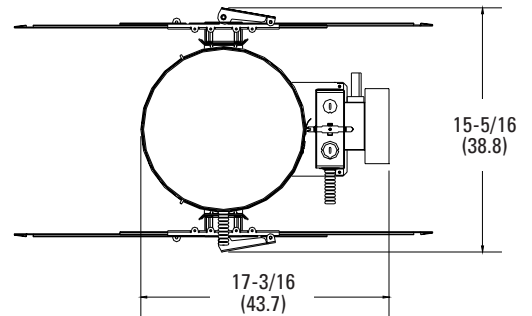
Type

Catalog number



HID Downlights 4" SQDMRH

Vertical Lamp
MR16



All dimensions are inches (centimeters)
 Ceiling opening: 5-1/8 (13.0)
 Overlap trim: 5-3/4 (14.6)
 Aperture opening: 4-3/8 (11.1)

ORDERING INFORMATION

Choose the boldface catalog nomenclature that best suits your needs and write it on the appropriate line. Order accessories as separate catalog numbers (shipped separately).

Example: **SQDMRH DWN MR16 39MHC 4AR LD 120**

Series	Configuration	Lamp Type	Aperture/Trim	Finish	Voltage	Options
SQDMRH	DWN	MR16	4AR Clear 4DSR Stepped 4PR Pewter 4WTR Wheat 4WR¹ White 4BR¹ Black 4PDSR Pewter stepped 4WDSR Wheat stepped	(blank) Semi-specular ² LD Matte-diffuse	120 277 347	QRS³ Quartz restrike system QRSTD³ QRS with time delay EC³ Emergency circuit SF Single Fuse LRC⁴ Provides compatibility with Lithonia Reloc System. Access above ceiling required MFLG⁵ Microflange trim SQMT⁶ Square metal trim CP Chicago Plenum approved LPFL Lamped, Flood LPSP Lamped, Spot LPWFL Lamped, Wide Flood
		Wattage 20MHC 39MHC				

NOTES

- 1 Not available with matte-diffuse finish.
- 2 Available with WR and BR trim colors and SQMT metal trim option
- 3 Only available with SQMT metal trim option.
- 4 For compatible Reloc systems, refer to Technical bulletins tab.
- 5 MFLG standard with high impact polymer trim; must specify SQMT option for metal microflange trim.
- 6 Not available with stepped trims.

Accessories

Order as separate catalog numbers.

- For lens accessories, refer to Technical Bulletins tab.
- For lamp options, refer to Technical Bulletins tab.

4" SQDMRH DWN Vertical lamp

Distribution curve	Distribution data	Output data	Coefficient of utilization	Single luminaire data 30" above floor
SQDMRH DWN MR16 4AR LD, 65MR16Q/10/NSP/B lamp, 0.2 s/mh, 3000 rated Lumens, Test No. 17334c				

NOTES:

- 1 For electrical characteristics refer to the Technical Bulletins tab.
 - 2 Tested to current IES and NEMA standards under stabilized laboratory conditions. Various operating factors can cause differences between laboratory data and actual field measurements. Dimensions and specifications are based on the most current available data and are subject to change without notice.
-

DHID-1050

©2009 Acuity Brands Lighting, Inc. All Rights Reserved.
Rev 3/10

gotham
An **Acuity** Brands Company

GOTHAM ARCHITECTURAL DOWNLIGHTING
A DIVISION OF ACUITY LIGHTING GROUP, INC.
1400 Lester Road Conyers Georgia 30012
P 800 315 4982 F 770 860 3129
www.gothamlighting.com