

FEATURES

OPTICAL SYSTEM

- Self-flanged, matte-diffuse high impact polymer finishing trim with a durable, proprietary vapor deposition finish.
- Patented optical design provides lamp before lamp image and smooth transition from top of the reflector to bottom. Patented Bounding Ray™ Optical Principle design (U.S. Patent No. 5,800,050).
- One piece trim eliminates mitered flange corners and inside corner gaps.

MECHANICAL SYSTEM

- 16-gauge painted steel mounting/plaster frame accommodates up to 1-1/2" thick ceiling materials.
- Patent-pending adjustable aperture allows 1/4" adjustments in all directions and up to 5° of rotation allowing post-installation adjustments to ensure trim to trim alignment.
- 16-gauge galvanized steel mounting bars with continuous 4" vertical adjustments are shipped pre-installed.
- Post-installation adjustment possible without the use of tools from above or below ceiling.
- Secondary housing adjustment system for precise, final ceiling to flange alignment.

ELECTRICAL SYSTEM

- Medium-based porcelain socket with nickel-plated screw shell.
- Pre-wired, electronic, 120 or 277V ballast module is standard.
- Thermally activated insulation detector.

LISTING

- Fixtures are UL listed for thru-branch wiring, Non-IC recessed mounting and damp locations. Listed and labeled to comply with Canadian Standards.

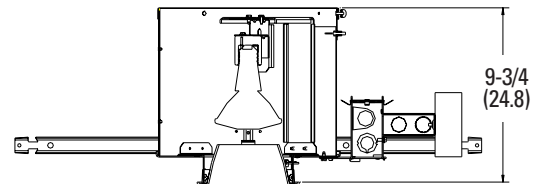
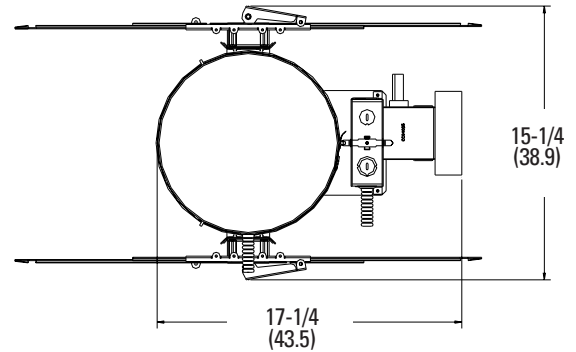
Type

Catalog number



HID Downlighting 4" SQPH

Square Open Reflector
Vertical, PAR Lamp



All dimensions are inches (centimeters)

Ceiling opening: 5-1/8 (13.0)
Overlap trim: 5-3/4 (14.6)
Aperture opening: 4-3/8 (11.1)

ORDERING INFORMATION

Choose the boldface catalog nomenclature that best suits your needs and write it on the appropriate line. Order accessories as separate catalog numbers (shipped separately).

Example: **SQPH P2039MHC 4AR LD**

SQPH						
Series	Lamp Type	Aperture/Trim	Finish	Voltage	Ballast	Options
SQPH	Color-corrected Metal Halide P2039MHC P3039MHC P3070MHC	4AR Clear 4DSR Stepped 4PR Pewter 4WTR Wheat 4WR¹ White 4BR¹ Black 4PDSR Pewter stepped 4WDSR Wheat stepped	(blank)² Semi-specular LD Matte-diffuse	120 277 347	(Blank) Electronic ballast	QRS³ Quartz restrike system QRSTD³ QRS with time delay EC³ Emergency circuit SF Single fuse LRC⁴ Provides compatibility with Lithonia Reloc System. Access above ceiling required MFLG⁵ Microflange trim SQMT⁶ Square metal trim TRW White flange LPFL Lamped, flood LPSP Lamped, spot CP Chicago Plenum approved

NOTES

- 1 Not available with matte-diffuse finish.
- 2 Available with WR and BR trim colors and SQMT metal trim option.
- 3 Only available with SQMT metal trim option.
- 4 For compatible Reloc systems, refer to Technical bulletins tab.
- 5 MFLG standard with high impact polymer trim; must specify SQMT option for metal microflange trim.
- 6 Not available with stepped trims.

Accessories

- LTWFH400 DBL** Filter Holder for use with PAR20.
- F400** Lens for use with 400 series filter holder
- LTWFH500 DBL** Filter Holder for use with PAR30.
- F500** Lens for use with 500 series filter holder

4" SQPH Square, Open Reflector

Distribution curve	Distribution data		Output data			Coefficient of utilization			Single luminaire data 30" above floor										
SQPH 4AR LD, MCP39/PAR30LN/U/830FL/ECO lamp, 0.4 s/mh, 2300 rated Lumens, Test No. 18101																			
	Ave	Lumens	Zone	Lumens	% Lamp	pf	20%			50%		50% beam		10% beam					
						pc	50%	30%	10%	50%	30%	10%	Height	Initial FC	Center	FC			
						pw	50%	30%	10%	50%	30%	10%	Beam	Diameter	FC	Diameter	FC		
	0°	8766		0° - 30°	1708	74.2	0	93	93	93	91	91	91	8.0	289.8	2.3	144.9	4.1	29.0
	5°	7601	657	0° - 40°	1758	76.4	1	88	87	85	86	85	84	10.0	155.8	3.1	78.0	5.6	15.6
	15°	3060	833	0° - 60°	1787	77.7	2	84	82	80	83	81	79	12.0	97.1	4.0	48.6	7.1	9.7
	25°	403	217	0° - 90°	1791	77.9	3	80	78	76	79	77	75	14.0	66.3	4.8	33.2	8.7	6.6
	35°	73	50	90° - 180°	0	0.0	4	77	74	72	77	74	72	16.0	48.1	5.7	24.1	10.2	4.8
	45°	27	21				5	75	72	69	74	71	69						
	55°	9	8				6	72	69	67	72	69	67						
	65°	7	3				7	70	67	65	70	67	64						
75°	4	1				8	68	65	63	68	65	63							
85°	0	0				9	66	63	61	66	63	61							
90°	0					10	64	61	59	64	61	59							

Distribution curve	Distribution data		Output data			Coefficient of utilization			Single luminaire data 30" above floor										
SQPH 4DSR LD, MCP39/PAR30LN/U/830FL/ECO lamp, 0.4 s/mh, 2300 rated Lumens, Test No. 18102																			
	Ave	Lumens	Zone	Lumens	% Lamp	pf	20%			50%		50% beam		10% beam					
						pc	50%	30%	10%	50%	30%	10%	Height	Initial FC	Center	FC			
						pw	50%	30%	10%	50%	30%	10%	Beam	Diameter	FC	Diameter	FC		
	0°	8549		0° - 30°	1680	73.1	0	92	92	92	90	90	90	8.0	282.6	2.3	141.3	4.2	28.3
	5°	7418	642	0° - 40°	1737	75.5	1	87	86	85	86	84	83	10.0	152.0	3.2	76.0	5.7	15.2
	15°	3010	819	0° - 60°	1775	77.2	2	83	81	79	82	80	78	12.0	94.7	4.0	47.4	7.2	9.5
	25°	410	220	0° - 90°	1780	77.4	3	80	77	75	79	76	74	14.0	64.6	4.8	32.3	8.7	6.5
	35°	83	56	90° - 180°	0	0.0	4	77	74	71	76	73	71	16.0	46.9	5.7	23.5	10.2	4.7
	45°	36	29				5	74	71	68	73	70	68						
	55°	7	9				6	71	68	66	71	68	66						
	65°	4	4				7	69	66	64	69	66	64						
75°	1	1				8	67	64	62	67	64	62							
85°	0	0				9	65	62	60	65	62	60							
90°	0					10	63	60	58	63	60	58							

Distribution curve	Distribution data		Output data			Coefficient of utilization			Single luminaire data 30" above floor										
SQPH 4AR LD, MCP70/PAR30/U/830/FL lamp, 0.4 s/mh, 4400 rated Lumens, Test No. 18103																			
	Ave	Lumens	Zone	Lumens	% Lamp	pf	20%			50%		50% beam		10% beam					
						pc	50%	30%	10%	50%	30%	10%	Height	Initial FC	Center	FC			
						pw	50%	30%	10%	50%	30%	10%	Beam	Diameter	FC	Diameter	FC		
	0°	16744		0° - 30°	3659	83.1	0	102	102	102	100	100	100	8.0	553.5	2.4	276.8	4.4	55.3
	5°	15568	1366	0° - 40°	3756	85.4	1	97	96	94	95	94	93	10.0	297.7	3.3	148.8	5.9	29.8
	15°	6237	1741	0° - 60°	3781	85.9	2	93	90	88	91	89	87	12.0	185.5	4.2	92.8	7.5	18.5
	25°	1098	552	0° - 90°	3786	86.0	3	89	86	84	88	85	83	14.0	126.6	5.1	63.3	9.1	12.7
	35°	127	98	90° - 180°	0	0.0	4	86	82	80	85	82	79	16.0	91.9	6.0	45.9	10.7	9.2
	45°	26	20				5	83	79	77	82	79	76						
	55°	5	5				6	80	76	74	79	76	74						
	65°	2	3				7	77	74	71	77	74	71						
75°	1	1				8	75	72	69	75	71	69							
85°	1	1				9	73	70	67	73	69	67							
90°	0					10	71	68	65	71	68	65							

Distribution curve	Distribution data		Output data			Coefficient of utilization			Single luminaire data 30" above floor										
SQPH 4DSR LD, MCP70/PAR30/U/830/FL lamp, 0.4 s/mh, 4400 rated Lumens, Test No. 18104																			
	Ave	Lumens	Zone	Lumens	% Lamp	pf	20%			50%		50% beam		10% beam					
						pc	50%	30%	10%	50%	30%	10%	Height	Initial FC	Center	FC			
						pw	50%	30%	10%	50%	30%	10%	Beam	Diameter	FC	Diameter	FC		
	0°	16296		0° - 30°	3596	81.7	0	102	102	102	100	100	100	8.0	538.7	2.4	269.3	4.4	53.9
	5°	15147	1330	0° - 40°	3715	84.4	1	97	95	94	95	93	92	10.0	289.7	3.3	144.8	6.0	29.0
	15°	6091	1702	0° - 60°	3757	85.4	2	92	90	87	91	88	87	12.0	180.6	4.2	90.3	7.6	18.1
	25°	1133	564	0° - 90°	3767	85.6	3	88	85	83	87	84	82	14.0	123.2	5.1	61.6	9.2	12.3
	35°	160	119	90° - 180°	0	0.0	4	85	81	79	84	81	78	16.0	89.4	6.0	44.7	10.8	8.9
	45°	43	33				5	82	78	76	81	78	75						
	55°	7	9				6	79	75	73	78	75	73						
	65°	6	6				7	76	73	70	76	73	70						
75°	3	3				8	74	71	68	74	70	68							
85°	0	1				9	72	69	66	72	68	66							
90°	0					10	70	67	64	70	66	64							

NOTES:
 1 For electrical characteristics refer to the Technical Bulletins tab.
 2 Tested to current IES and NEMA standards under stabilized laboratory conditions. Various operating factors can cause differences between laboratory data and actual field measurements. Dimensions and specifications are based on the most current available data and are subject to change without notice.

DHID-900

©2009 Acuity Brands Lighting, Inc. All Rights Reserved.
 Rev 3/10

gotham
 An Acuity Brands Company

GOTHAM ARCHITECTURAL DOWNLIGHTING
 A DIVISION OF ACUITY LIGHTING GROUP, INC.
 1400 Lester Road Conyers Georgia 30012
 P 800 315 4982 F 770 860 3129
 www.gothamlighting.com