

FEATURES

OPTICAL SYSTEM

- Self-flanged, matte-diffuse high impact polymer finishing trim with a durable, proprietary vapor deposition finish.
- Patented Bounding Ray™ Optical Principle design (U.S. Patent No. 5,800,050) provides lamp before lamp image and smooth transition from top of the reflector to bottom.
- One piece trim eliminates mitered flange corners and inside corner gaps.

MECHANICAL SYSTEM

- 16-gauge painted steel mounting/plaster frame accommodates up to 1-1/2" thick ceiling materials.
- Patent-pending adjustable aperture allows 1/4" adjustments in all directions and up to 5° of rotation allowing post-installation adjustments to ensure trim to trim alignment.
- 16-gauge galvanized steel mounting bars with continuous 4" vertical adjustments are shipped pre-installed.
- Post-installation adjustment possible without the use of tools from above or below ceiling.
- Secondary housing adjustment system for precise, final ceiling to flange alignment.

ELECTRICAL SYSTEM

- Medium-based porcelain socket with nickel-plated screw shell.
- Pre-wired, electronic, 120 or 277V ballast module is standard.
- Thermally activated insulation detector.

LISTING

- Fixtures are UL listed for thru-branch wiring, Non-IC recessed mounting and damp locations. Listed and labeled to comply with Canadian Standards.



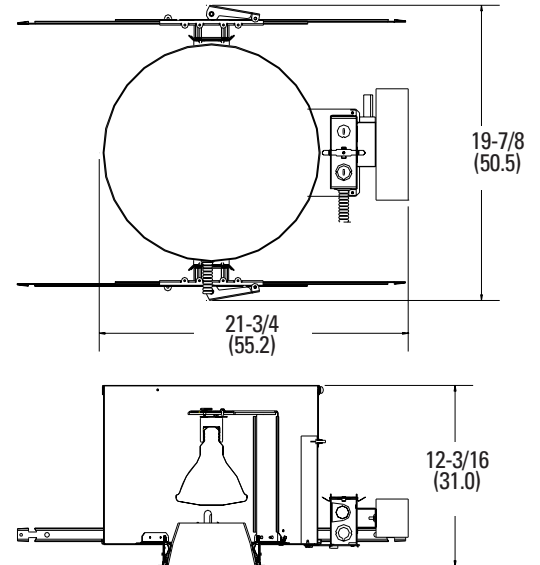
Type

Catalog number



HID Downlighting 6" SQPH

Square Open Reflector
Vertical, PAR Lamp



All dimensions are inches (centimeters)

Ceiling opening: 6 -5/8 (16.8)
Overlap trim: 7-3/16 (18.3)
Aperture opening: 5-15/16 (15.1)

ORDERING INFORMATION

Example: **SQPH P3870MHC 6AR LD**

Choose the boldface catalog nomenclature that best suits your needs and write it on the appropriate line. Order accessories as separate catalog numbers (shipped separately).

SQPH

Series	Lamp Type ¹	Aperture/Trim	Finish	Voltage	Ballast	Options
SQPH	Metal Halide P3870M P38100M P38150M² Color-corrected Metal Halide P3039MHC P3070MHC P3870MHC P38100MHC P38150MHC²	6AR Clear 6DSR Stepped 6PR Pewter 6WTR Wheat 6WR³ White 6BR³ Black 6PDSR Pewter stepped 6WDSR Wheat stepped	(blank) ⁴ Semi-specular LD Matte-diffuse	120 277 347	(Blank) Electronic ballast	QRS⁵ Quartz restrike system QRSTD⁵ QRS with time delay EC⁵ Emergency circuit SF Single fuse LRC⁶ Provides compatibility with Lithonia Reloc System. Access above ceiling required MFLG⁷ Microflange trim SQMT⁸ Square metal trim TRW White flange LPFL Lamped, flood LPSP Lamped, spot LPWFL Lamped, wide flood CP Chicago Plenum approved

NOTES

- 1 Ceramic arc tube consistent-color lamp. Philips MasterColor, Osram Sylvania Powerball or GE ConstantColor.
- 2 California Title 20 compliant.
- 3 Not available with matte-diffuse finish.
- 4 Available with WR and BR trim colors and SQMT metal trim option.
- 5 Only available with SQMT metal trim option.
- 6 For compatible Reloc systems, refer to Technical Bulletins tab.
- 7 MFLG standard with high impact polymer trim; must specify SQMT option for metal microflange trim.
- 8 Not available with stepped trims.

Accessories

LTWFH500 DBL	Filter Holder for use with PAR30S and PAR30L.
LTWFH700 DBL	Filter Holder for use with PAR38.
F500	Lens for use with 500 series filter holder
F700	Lens for use with 700 series filter holder

6" SQPH Square, Open Reflector

Distribution curve	Distribution data	Output data	Coefficient of utilization	Single luminaire data 30" above floor					
SQPH 6AR LD, MCP100/PAR38/U/830/VWFL/ECO lamp, 0.9 s/mh, 6500 rated Lumens, Test No. 18105									
	Ave Lumens	Zone Lumens % Lamp	pf pc pw	80% 50% 30% 10%	20% 70% 50% 30% 10%	50% 50% 30% 10%	Initial FC	50% beam	10% beam
	0° 4792	0° - 30° 3058 47.0	0 77 77 77	76 76 76	72 72 72	72 72 72	49.4°	76.7°	
	5° 4743 446	0° - 40° 3990 61.4	1 72 71 69	71 69 68	68 67 66	68 67 66			
	15° 4252 1189	0° - 60° 4208 64.7	2 67 65 62	66 64 62	64 62 60	64 62 60			
	25° 3150 1423	0° - 90° 4228 65.0	3 63 59 57	62 59 56	60 58 56	60 58 56			
	35° 1509 932	90° - 180° 0 0.0	4 59 55 52	58 55 52	56 54 51	56 54 51			
	45° 185 196	0° - 180° 4228 65.0	5 55 51 48	54 51 48	53 50 48	53 50 48			
	55° 24 23		6 52 48 45	51 47 45	50 47 45	50 47 45			
	65° 12 13		7 49 45 42	48 44 42	47 44 42	47 44 42			
	75° 5 6		8 46 42 39	45 42 39	45 41 39	45 41 39			
	85° 0 1		9 43 39 37	43 39 37	42 39 37	42 39 37			
90° 0		10 41 37 35	41 37 35	40 37 35	40 37 35				

SQPH 6DSR LD, MCP100/PAR38/U/830/VWFL/ECO lamp, 0.9 s/mh, 6500 rated Lumens, Test No. 18106									
	Ave Lumens	Zone Lumens % Lamp	pf pc pw	80% 50% 30% 10%	20% 70% 50% 30% 10%	50% 50% 30% 10%	Initial FC	50% beam	10% beam
	0° 4782	0° - 30° 3051 46.9	0 77 77 77	75 75 75	72 72 72	72 72 72	49.4°	76.7°	
	5° 4733 445	0° - 40° 3982 61.3	1 72 70 69	71 69 68	68 67 66	68 67 66			
	15° 4244 1186	0° - 60° 4200 64.6	2 67 64 62	66 64 62	64 62 60	64 62 60			
	25° 3143 1420	0° - 90° 4219 64.9	3 63 59 57	62 59 56	60 58 55	60 58 55			
	35° 1508 930	90° - 180° 0 0.0	4 59 55 52	58 54 52	56 54 51	56 54 51			
	45° 185 196	0° - 180° 4219 64.9	5 55 51 48	54 51 48	53 50 48	53 50 48			
	55° 24 22		6 51 48 45	51 47 45	50 47 44	50 47 44			
	65° 13 13		7 48 45 42	48 44 42	47 44 42	47 44 42			
	75° 5 6		8 46 42 39	45 42 39	45 41 39	45 41 39			
	85° 0 1		9 43 39 37	43 39 37	42 39 37	42 39 37			
90° 0		10 41 37 35	41 37 35	40 37 34	40 37 34				

SQPH 6AR LD, MCP150/PAR38/U/830/FL/ECO lamp, 0.4 s/mh, 9100 rated Lumens, Test No. 18107									
	Ave Lumens	Zone Lumens % Lamp	pf pc pw	80% 50% 30% 10%	20% 70% 50% 30% 10%	50% 50% 30% 10%	Initial FC	50% beam	10% beam
	0° 26331	0° - 30° 6190 68.0	0 85 85 85	83 83 83	79 79 79	79 79 79	25.0°	46.1°	
	5° 24303 2106	0° - 40° 6432 70.7	1 81 79 78	79 78 77	76 75 74	76 75 74			
	15° 10501 2902	0° - 60° 6489 71.3	2 77 75 73	75 74 72	73 72 70	73 72 70			
	25° 2450 1182	0° - 90° 6497 71.4	3 73 71 69	72 70 68	71 69 67	71 69 67			
	35° 324 242	90° - 180° 0 0.0	4 70 67 65	70 67 65	68 66 64	68 66 64			
	45° 50 42	0° - 180° 6497 71.4	5 68 65 62	67 64 62	66 64 62	66 64 62			
	55° 15 15		6 65 62 60	65 62 60	64 61 59	64 61 59			
	65° 5 6		7 63 60 58	63 60 58	62 59 57	62 59 57			
	75° 0 1		8 61 58 56	61 58 56	60 57 56	60 57 56			
	85° 0 1		9 59 56 54	59 56 54	58 56 54	58 56 54			
90° 0		10 57 54 52	57 54 52	57 54 52	57 54 52				

SQPH 6DSR LD, MCP150/PAR38/U/830FL/ECO lamp, 0.4 s/mh, 9100 rated Lumens, Test No. 18108									
	Ave Lumens	Zone Lumens % Lamp	pf pc pw	80% 50% 30% 10%	20% 70% 50% 30% 10%	50% 50% 30% 10%	Initial FC	50% beam	10% beam
	0° 25282	0° - 30° 6041 66.4	0 85 85 85	83 83 83	79 79 79	79 79 79	25.1°	46.6°	
	5° 23362 2025	0° - 40° 6347 69.7	1 80 79 77	79 77 76	76 75 74	76 75 74			
	15° 10186 2812	0° - 60° 6446 70.8	2 76 74 72	75 73 71	73 71 70	73 71 70			
	25° 2499 1204	0° - 90° 6467 71.1	3 73 70 68	72 69 67	70 68 66	70 68 66			
	35° 426 305	90° - 180° 0 0.0	4 70 67 64	69 66 64	67 65 63	67 65 63			
	45° 79 68	0° - 180° 6467 71.1	5 67 64 61	66 63 61	65 63 61	65 63 61			
	55° 39 31		6 64 61 59	64 61 59	63 60 58	63 60 58			
	65° 11 12		7 62 59 57	62 59 57	61 58 56	61 58 56			
	75° 5 6		8 60 57 55	60 57 55	59 56 54	59 56 54			
	85° 1 2		9 58 55 53	58 55 53	57 55 53	57 55 53			
90° 0		10 56 53 51	56 53 51	56 53 51	56 53 51				

NOTES:
 1 For electrical characteristics refer to the Technical Bulletins tab.
 2 Tested to current IES and NEMA standards under stabilized laboratory conditions. Various operating factors can cause differences between laboratory data and actual field measurements. Dimensions and specifications are based on the most current available data and are subject to change without notice.

DHID-930

©2009 Acuity Brands Lighting, Inc. All Rights Reserved.
 Rev 3/10

gotham
 An Acuity Brands Company

GOTHAM ARCHITECTURAL DOWNLIGHTING
 A DIVISION OF ACUITY LIGHTING GROUP, INC.
 1400 Lester Road Conyers Georgia 30012
 P 800 315 4982 F 770 860 3129
 www.gothamlighting.com