

FEATURES

OPTICAL SYSTEM

- Self-flanged, matte-diffuse high impact polymer finishing trim with a durable, proprietary vapor deposition finish.
- Patented Bounding Ray™ Optical Principle design (U.S. Patent No. 5,800,050) provides lamp before lamp image and smooth transition from top of the reflector to bottom.
- One piece trim eliminates mitered flange corners and inside corner gaps.
- Interchangeable upper reflectors provide narrow, medium and wide distributions.
- 1/8" thick softening lens eliminates beam striations and provides required protective shielding.

MECHANICAL SYSTEM

- Rolled steel housing with matte black finish and 16-gauge painted steel mounting/plaster frame accommodates up to 1-1/2" thick ceiling materials.
- Patent-pending adjustable aperture allows 1/4" adjustments in all directions and up to 5° of rotation allowing post-installation adjustments to ensure trim to trim alignment.
- 16-gauge galvanized steel mounting bars with continuous 4" vertical adjustments are shipped pre-installed.
- Post-installation adjustment possible without the use of tools from above or below ceiling.
- Secondary housing adjustment system for precise, final ceiling to flange alignment.

ELECTRICAL SYSTEM

- Tool-less access door provides access to junction box and ballast through the aperture.
- G12 (T6), G8.5 (T4) or PGJ5 (T4T) base ceramic socket.
- Pre-wired, electronic, 120 or 277V ballast module is standard.
- 3000K lamp ships standard.
- Thermally activated insulation detector.

LISTING

- Fixtures are UL listed for thru-branch wiring, Non-IC recessed mounting and damp locations. Listed and labeled to comply with Canadian Standards.

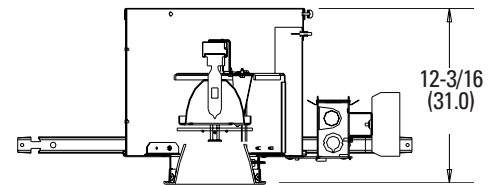
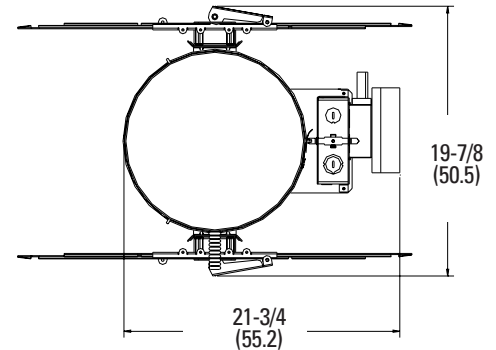


Type
Catalog number



HID Downlights 6" SQTH

Vertical Lamp
T4/T6



All dimensions are inches (centimeters)

Ceiling opening: 6-5/8 (16.8)
Overlap trim: 7-3/16 (18.3)
Aperture opening: 5-15/16 (15.1)

ORDERING INFORMATION

Example: **SQTH T6 70MHC 6AR N LD 120**

Choose the boldface catalog nomenclature that best suits your needs and write it on the appropriate line. Order accessories as separate catalog numbers (shipped separately).

SQTH

Series	Lamp Type	Wattage	Aperture/Trim	Distribution	Finish	Voltage	Options
SQTH	T4T¹ T4 T6²	20MHC 39MHC 70MHC 150MHC³	6AR Clear 6DSR Stepped 6PR Pewter 6WTR Wheat 6WR⁴ White 6BR⁴ Black 6DSR Stepped 6PDSR Stepped Pewter 6WDSR Stepped Wheat	N Narrow M Medium W Wide	(blank) Semi-specular ⁵ LD Matte-diffuse	120 277 347	QRS⁶ Quartz restrike system QRSTD⁶ QRS with time delay EC⁶ Emergency circuit SF Single Fuse LRC⁷ Provides compatibility with Lithonia Reloc System. Access above ceiling required TRW White flange MFLG⁸ Microflange trim SQMT⁹ Square metal trim TRW White flange L/LP Less lamp CP Chicago Plenum approved

NOTES

- 1 Philips Mini MasterColor available in 20W, 39W & 120V only.
- 2 Available in 39W, 70W and 150W only.
- 3 California Title 20 compliant.
- 4 Not available with matte-diffuse finish.
- 5 Available with WR and BR trim colors and SQMT metal trim option.
- 6 Only available with SQMT metal trim option.
- 7 For compatible Reloc systems, refer to Technical bulletins tab.
- 8 MFLG standard with high impact polymer trim; must specify SQMT option for metal microflange trim.
- 9 Not available with stepped trims.



GOTHAM ARCHITECTURAL DOWNLIGHTING
1400 Lester Road Conyers Georgia 30012
P 800 315 4982 F 770 860 3129
www.gothamlighting.com

SQTH DHID-990 Rev 3/10

6" SQTH

LAMP PERFORMANCE DATA

All data was calculated from each lamp manufacturer's published data and is subject to normal lamp variations. Maximum footcandle is usually at the aiming point, but not always on wider spread lamps. Lamp data supplied by manufacturers is approximate, and individual lamp performance may vary.

DHID-990

©2009 Acuity Brands Lighting, Inc. All Rights Reserved. Rev. 3/10

gotham
An **Acuity** Brands Company

GOTHAM ARCHITECTURAL DOWNLIGHTING
A DIVISION OF ACUITY LIGHTING GROUP, INC.
1400 Lester Road Conyers Georgia 30012
P 800 315 4982 F 770 860 3129
www.gothamlighting.com