

FEATURES

OPTICAL SYSTEM

- Self-flanged, matte-diffuse high-impact polymer finishing trim with a durable, proprietary vapor deposition finish.
- Patented Bounding Ray™ Optical Principle design (U.S. Patent No. 5,800,050) provides lamp before lamp image and smooth transition from top of the reflector to bottom.
- One piece trim eliminates mitered flange corners and inside corner gaps.
- Upper reflector is painted a highly reflective matte white providing diffuse, even light with high efficiency.
- Proprietary Gotham diffusing lens available.

MECHANICAL SYSTEM

- 16-gauge painted steel mounting/plaster frame accommodates up to 1-1/2" thick ceiling materials.
- Patent pending adjustable aperture allows 1/4" adjustments in all directions and up to 5° of rotation allowing post-installation adjustments to ensure trim to trim alignment.
- 16-gauge galvanized steel mounting bars with continuous 4" vertical adjustments are shipped pre-installed. Post installation adjustment possible without the use of tools from above or below ceiling.
- Secondary housing adjustment system for precise, final ceiling to flange alignment.
- Galvanized steel junction box with hinged access covers and spring latch. Three combination 1/2"-3/4" and one 1/2" knockout for straight-through conduit runs. Capacity: 8 (4 in, 4 out) No. 12 AWG conductors rated for 90°C.

ELECTRICAL SYSTEM

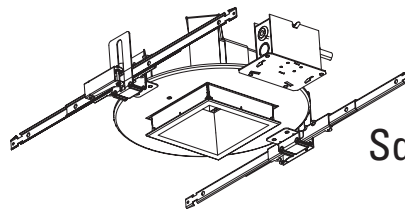
- Medium-base porcelain socket with nickel-plated screw shell.
- Thermally-activated insulation detector.

LISTING

- Fixtures are UL Listed for thru-branch wiring, Non-IC recessed mounting and damp locations. Listed and labeled to comply with Canadian Standards.

Type

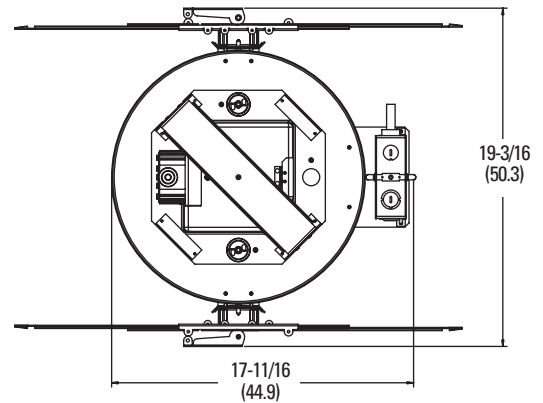
Catalog number



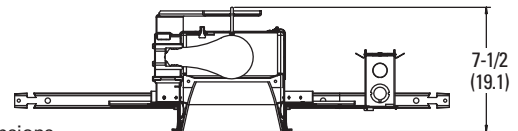
Incandescent Downlights

6" SQAZ

Square Open Reflector
A19 or BT15 Lamp



Aperture: 6 (15.2)
Ceiling Opening: 6-5/8 (16.8)
Overlap Trim: 7-3/16 (18.3)



All dimensions are inches (centimeters)

ORDERING INFORMATION

Example: **SQAZ 6AR LD CSL**

Choose the boldface catalog nomenclature that best suits your needs and write it on the appropriate line.

SQAZ

Series ¹	Aperture/Trim color	Finish	Lens type	Options
SQAZ	6AR Clear 6DSR Stepped 6PR Pewter 6WTR Wheat 6WR² White 6BR² Black 6PDSR Pewter stepped 6WDSR Wheat stepped	(blank) Semi-specular ³ LD Matte-diffuse	(blank) No lens CSL Concentric square lens SOL Solite lens	SDT⁴ Stepdown transformer (277V to 120V) SDT347⁴ Stepdown transformer (347V to 120V; 75W Max.) SF⁴ Single fuse LRC⁵ Provides compatibility with Lithonia Reloc® System. Lithonia Reloc System can be installed less this option with connectors provided by others. Access above ceiling required CP Chicago Plenum SQMT⁶ Square metal trim

NOTES

- 1 Maximum wattage: 150W A21.
- 2 Not available with matte-diffuse finish.
- 3 Available with WR and BR trim colors and SQMT metal trim option.
- 4 Single fuse standard when SDT or SDT347 options are ordered.
- 5 For compatible Reloc systems, refer to Technical Bulletins tab.
- 6 Not available with stepped reflector.

6" SQAZ Square Open Reflector

Distribution curve	Distribution data	Output data	Coefficient of utilization	Illuminance Data at 30" Above Floor for a Single Luminaire
--------------------	-------------------	-------------	----------------------------	--

SQAZ 150W 6AR, (1) 150W A21 lamp, 1.0 s/mh, 2850 rated lumens, Test No. LTL16301

From 0°	Ave Lumens	Zone Lumens % Lamp	pf pc	Coefficient of utilization						Illuminance Data at 30" Above Floor for a Single Luminaire						
				80%		20% 70%		50%		50° beam angle 52.3°		10% beam angle 86.8°				
				50%	30%	50%	30%	50%	30%	Mount height	Initial fc at beam center	Beam diameter	fc at beam edge	Beam diameter	fc at beam edge	
0	1047	0° - 30° 713.4 25.0		1	.50	.49	.49	.48	.47	.46	8	34.6	5.4	17.3	10.4	3.5
5	1042	0° - 40° 1013.0 35.5		2	.46	.44	.45	.43	.43	.42	10	18.6	7.4	9.3	14.2	1.9
15	969	0° - 60° 1276.2 44.8		3	.42	.39	.41	.39	.40	.38	12	11.6	9.3	5.8	18.0	1.2
25	753	0° - 90° 1299.5 45.6		4	.39	.36	.38	.35	.37	.35	14	7.9	11.3	4.0	21.8	0.8
35	481	90° - 180° 0.0 0.0		5	.36	.33	.35	.32	.34	.32	16	5.7	13.3	2.9	25.6	0.6
45	241	0° - 180° 1299.5 *45.6		6	.33	.30	.33	.30	.32	.29						
55	81	*E efficiency		7	.31	.28	.30	.27	.30	.27						
65	16			8	.29	.25	.28	.25	.28	.25						
75	5			9	.27	.24	.26	.24	.26	.23						
85	1			10	.25	.22	.25	.22	.24	.22						
90	0															

SQAZ 150W 6AR, (1) 150W BT15 lamp, 1.0 s/mh, 2650 rated lumens, Test No. LTL16303

From 0°	Ave Lumens	Zone Lumens % Lamp	pf pc	Coefficient of utilization						Illuminance Data at 30" Above Floor for a Single Luminaire						
				80%		20% 70%		50%		50° beam angle 53.9°		10% beam angle 89.4°				
				50%	30%	50%	30%	50%	30%	Mount height	Initial fc at beam center	Beam diameter	fc at beam edge	Beam diameter	fc at beam edge	
0	938	0° - 30° 639.3 24.1		1	.51	.50	.50	.49	.48	.47	8	31.0	5.6	15.5	10.9	3.1
5	929	0° - 40° 942.7 35.6		2	.47	.44	.46	.44	.44	.43	10	16.7	7.6	8.3	14.8	1.7
15	841	0° - 60° 1211.3 45.7		3	.43	.40	.42	.40	.41	.39	12	10.4	9.7	5.2	18.8	1.0
25	693	0° - 90° 1236.1 46.6		4	.39	.36	.39	.36	.38	.35	14	7.1	11.7	3.5	22.7	0.7
35	490	90° - 180° 0.0 0.0		5	.36	.33	.36	.33	.35	.32	16	5.1	13.7	2.6	26.7	0.5
45	254	0° - 180° 1236.1 *46.6		6	.33	.30	.33	.30	.32	.29						
55	78	*E efficiency		7	.31	.28	.31	.27	.30	.27						
65	16			8	.29	.25	.28	.25	.28	.25						
75	5			9	.27	.24	.26	.23	.26	.23						
85	1			10	.25	.22	.25	.22	.24	.22						
90	0															

SQAZ 150W 6DSR, (1) 150W A21 lamp, 1.1 s/mh, 2850 rated lumens, Test No. LTL16302

From 0°	Ave Lumens	Zone Lumens % Lamp	pf pc	Coefficient of utilization						Illuminance Data at 30" Above Floor for a Single Luminaire						
				80%		20% 70%		50%		50° beam angle 57.5°		10% beam angle 94.1°				
				50%	30%	50%	30%	50%	30%	Mount height	Initial fc at beam center	Beam diameter	fc at beam edge	Beam diameter	fc at beam edge	
0	738	0° - 30° 555.0 19.5		1	.46	.45	.45	.44	.44	.43	8	24.4	6.0	12.2	11.8	2.4
5	741	0° - 40° 820.8 28.8		2	.42	.40	.41	.39	.40	.38	10	13.1	8.2	6.6	16.1	1.3
15	734	0° - 60° 1145.8 40.2		3	.38	.35	.37	.35	.36	.34	12	8.2	10.4	4.1	20.4	0.8
25	607	0° - 90° 1219.0 42.8		4	.34	.31	.34	.31	.33	.30	14	5.6	12.6	2.8	24.7	0.6
35	427	90° - 180° 0.0 0.0		5	.31	.28	.31	.28	.30	.28	16	4.0	14.8	2.0	29.0	0.4
45	257	0° - 180° 1219.0 *42.8		6	.29	.26	.28	.25	.28	.25						
55	139	*E efficiency		7	.27	.23	.26	.23	.26	.23						
65	50			8	.25	.21	.24	.21	.24	.21						
75	16			9	.23	.20	.23	.20	.22	.19						
85	3			10	.21	.18	.21	.18	.21	.18						
90	0															

SQAZ 150W 6DSR, (1) 150W BT15 lamp, 1.1 s/mh, 2650 rated lumens, Test No. LTL16304

From 0°	Ave Lumens	Zone Lumens % Lamp	pf pc	Coefficient of utilization						Illuminance Data at 30" Above Floor for a Single Luminaire						
				80%		20% 70%		50%		50° beam angle 56.5°		10% beam angle 95.7°				
				50%	30%	50%	30%	50%	30%	Mount height	Initial fc at beam center	Beam diameter	fc at beam edge	Beam diameter	fc at beam edge	
0	680	0° - 30° 483.1 18.2		1	.46	.45	.45	.44	.43	.42	8	22.5	5.9	11.2	12.1	2.2
5	676	0° - 40° 735.1 27.7		2	.42	.39	.41	.39	.39	.38	10	12.1	8.1	6.0	16.6	1.2
15	631	0° - 60° 1060.3 40.0		3	.38	.35	.37	.34	.36	.34	12	7.5	10.2	3.8	21.0	0.8
25	530	0° - 90° 1134.0 42.8		4	.34	.31	.34	.31	.33	.30	14	5.1	12.4	2.6	25.4	0.5
35	405	90° - 180° 0.0 0.0		5	.31	.28	.31	.28	.30	.27	16	3.7	14.5	1.9	29.8	0.4
45	264	0° - 180° 1134.0 *42.8		6	.28	.25	.28	.25	.27	.25						
55	137	*E efficiency		7	.26	.23	.26	.23	.25	.22						
65	50			8	.24	.21	.24	.21	.23	.21						
75	16			9	.22	.19	.22	.19	.22	.19						
85	3			10	.21	.18	.21	.18	.20	.18						
90	0															

NOTES:
 1. For electrical characteristics consult Technical Bulletins tab.
 2. Tested to current IES and NEMA standards under stabilized laboratory conditions. Various operating factors can cause differences between laboratory data and actual field measurements. Dimensions and specifications are based on the most current available data and are subject to change without notice.

DINC-296

©2007, 2009. Acuity Brands Lighting, Inc. Rev 3/10

gotham
 An Acuity Brands Company

GOTHAM ARCHITECTURAL DOWNLIGHTING
 1400 Lester Road Conyers Georgia 30012
 P 800 315 4982 F 770 860 3129
 www.gothamlighting.com