

# FEATURES

## OPTICAL SYSTEM

- Self-flanged, matte-diffuse high impact polymer finishing trim with a durable, proprietary vapor deposition finish.
- Patented Bounding Ray™ Optical Principle design (U.S. Patent No. 5,800,050) provides lamp before lamp image and smooth transition from top of the reflector to bottom.
- One piece trim eliminates mitered flange corners and inside corner gaps.

## MECHANICAL SYSTEM

- Rolled steel housing with matte black finish and 16-gauge painted steel mounting/plaster frame accommodates up to 1-1/2" thick ceiling materials.
- Patent-pending adjustable aperture allows 1/4" adjustments in all directions and up to 5° of rotation allowing post-installation adjustments to ensure trim to trim alignment.
- 16-gauge galvanized steel mounting bars with continuous 4" vertical adjustments are shipped pre-installed.
- Post-installation adjustment possible without the use of tools from above or below ceiling
- Secondary housing adjustment system for precise, final ceiling to flange alignment.

## ELECTRICAL SYSTEM

- Medium-based socket with nickel-plated screw shell.
- Thermally activated insulation detector.

## LISTING

- Fixtures are UL listed for thru-branch wiring, Non-IC recessed mounting and damp locations. Listed and labeled to comply with Canadian Standards.

Type

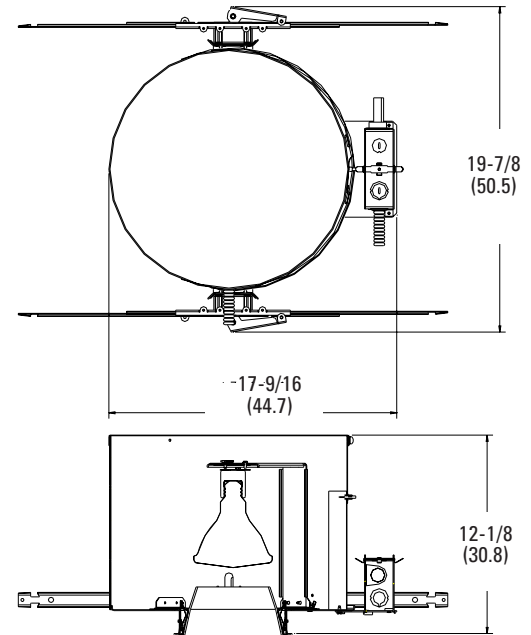
Catalog number



## Incandescent Downlights

# 6" SQP

Square Open Reflector  
Vertical, PAR Lamp



All dimensions are inches (centimeters)

Ceiling opening: 6-5/8 (16.8)  
Overlap trim: 7-3/16 (18.3)  
Aperture opening: 5-15/16 (15.1)

# ORDERING INFORMATION

Choose the boldface catalog nomenclature that best suits your needs and write it on the appropriate line. Order accessories as separate catalog numbers (shipped separately).

Example: **SQP 6AR LD**

## SQP

Series	Aperture/Trim	Finish	Options
<b>SQP</b>	<b>6AR</b> Clear <b>6DSR</b> Stepped <b>6PR</b> Pewter <b>6WTR</b> Wheat <b>6WR<sup>1</sup></b> White <b>6BR<sup>1</sup></b> Black <b>6PDSR</b> Pewter stepped <b>6WDSR</b> Wheat stepped	(blank) Semi-specular <sup>2</sup> <b>LD</b> Matte-diffuse	<b>LRC<sup>3</sup></b> Provides compatibility with Lithonia Reloc System. Access above ceiling required <b>SDT</b> 277V to 120V stepdown transformer <b>SDT347</b> 347V to 120V stepdown transformer <b>MFLG<sup>4</sup></b> Microflange trim <b>SQMT<sup>5</sup></b> Square metal trim <b>TRW</b> White flange <b>CP</b> Chicago Plenum approved

## NOTES

- 1 Not available with matte-diffuse finish.
- 2 Available with WR and BR trim colors and SQMT metal trim option.
- 3 For compatible Reloc systems, refer to Technical Bulletins tab.
- 4 MFLG standard with high impact polymer trim; must specify SQMT option for metal microflange trim.
- 5 Not available with stepped trims.

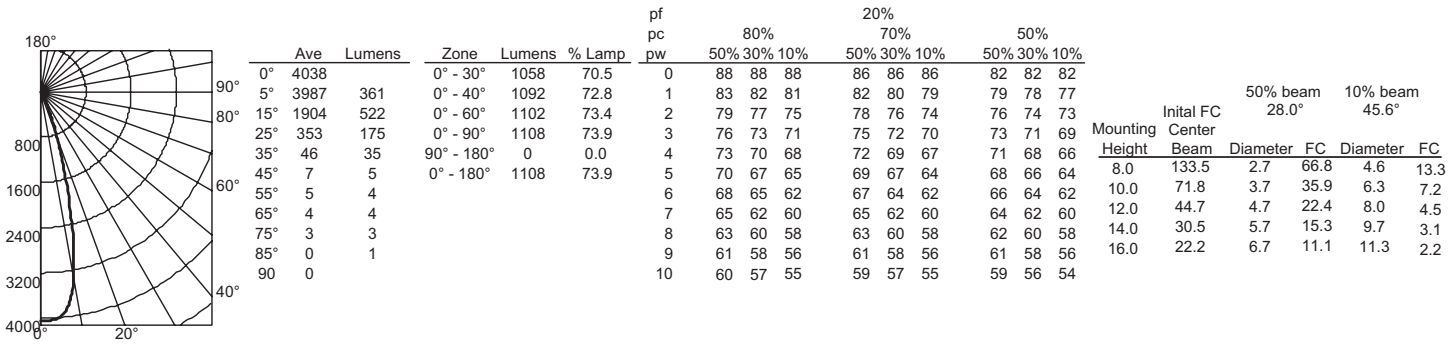
## Accessories

<b>LTWFH400 DBL</b>	Filter Holder for use with PAR20.
<b>LTWFH500 DBL</b>	Filter Holder for use with PAR30S and PAR30L.
<b>LTWFH700 DBL</b>	Filter Holder for use with PAR38.
<b>F400</b>	Lens for use with 400 series filter holder
<b>F500</b>	Lens for use with 500 series filter holder
<b>F700</b>	Lense for use with 700 series filter holder

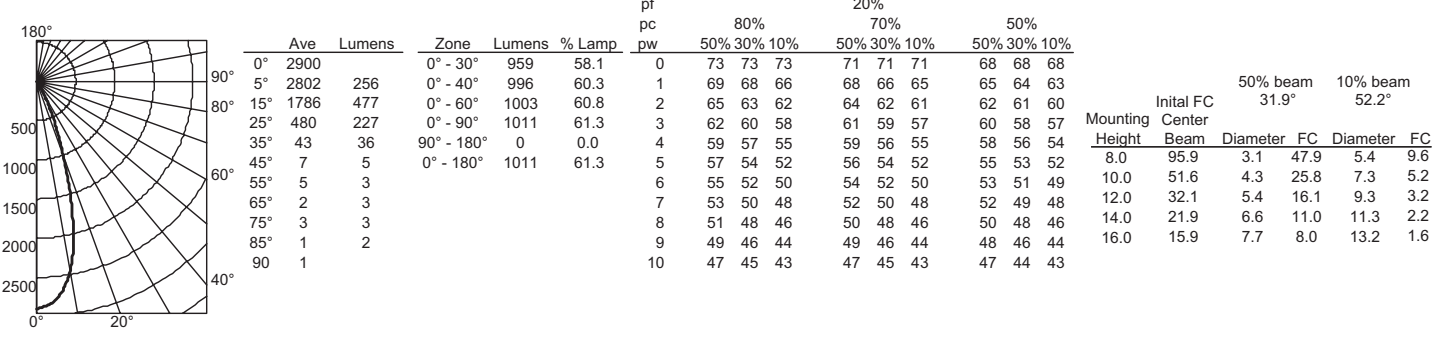
# 6" SQP Open Reflector PAR lamp

**Distribution curve      Distribution data      Output data      Coefficient of utilization      Single luminaire data 30" above floor**

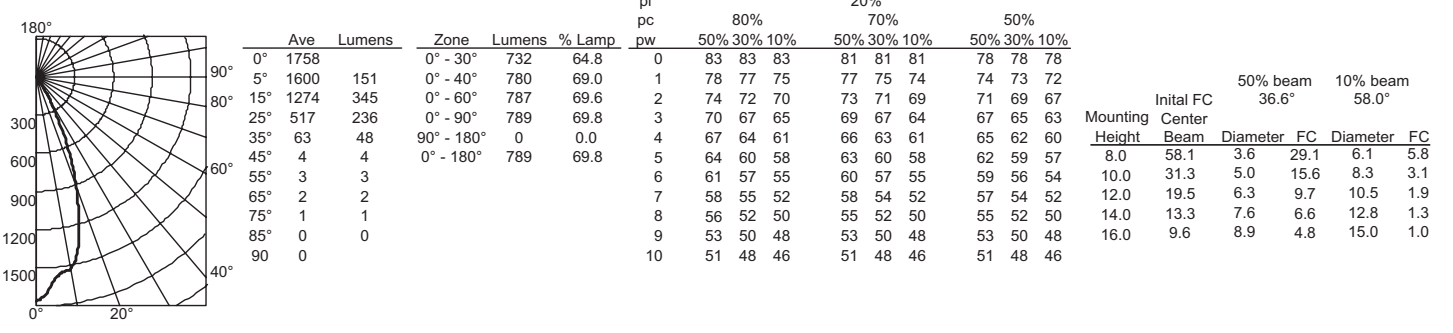
## SQP 6AR LD, 100W PAR38 FL lamp, 0.5 s/mh, 1500 rated Lumens, Test No. 17929



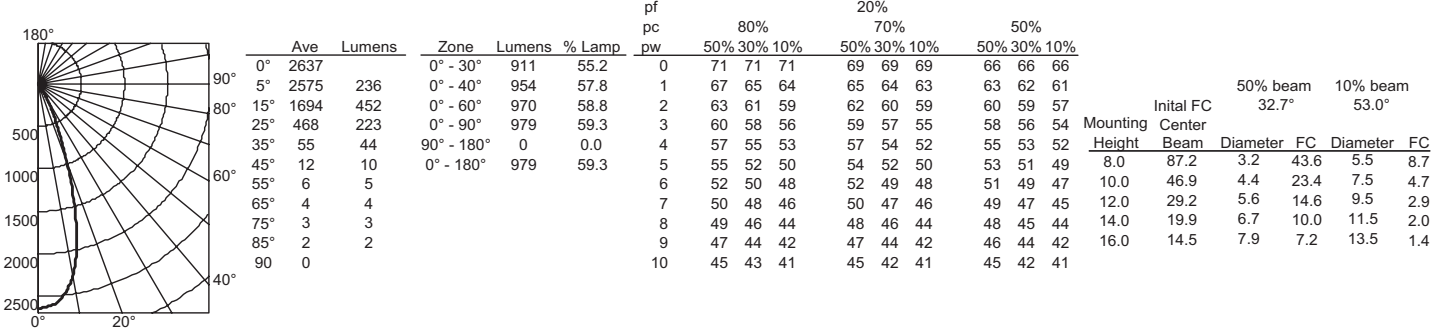
## SQP 6AR LD, 150W PAR38 FL lamp, 0.6 s/mh, 1650 rated lumens, Test No. 17934



## SQP 6AR LD, 75W PAR30 WFL lamp, 0.7 s/mh, 1130 rated Lumens, Test No. 17927



## SQP 6AR LD, 50W PAR20 FL lamp, 0.3 s/mh, 570 rated Lumens, Test No. 17933



**NOTES:**  
 1 For electrical characteristics refer to the Technical Bulletins tab.  
 2 Tested to current IES and NEMA standards under stabilized laboratory conditions. Various operating factors can cause differences between laboratory data and actual field measurements. Dimensions and specifications are based on the most current available data and are subject to change without notice.

**DINC-630**

©2009 Acuity Brands Lighting, Inc. All Rights Reserved.  
 Rev 3/10



An Acuity Brands Company

GOTHAM ARCHITECTURAL DOWNLIGHTING  
 A DIVISION OF ACUITY LIGHTING GROUP, INC.  
 1400 Lester Road Conyers Georgia 30012  
 P 800 315 4982 F 770 860 3129  
 www.gothamlighting.com