

# FEATURES

## OPTICAL SYSTEM

- Self-flanged, semi-specular or matte-diffuse lower reflector in combination with highly reflective/diffuse upper reflector provides unparalleled performance and efficiency. Patented Bounding Ray™ Optical Principle design (U.S. Patent No. 5,800,050) provides source before source image and smooth transition from top of the reflector to bottom.

## MECHANICAL SYSTEM

- Housing accommodates a maximum 1-1/2" ceiling thickness.
- Light engine and driver are accessible from above or below ceiling and can be upgraded to accommodate future technology improvements.
- 16-gauge galvanized steel mounting bars with continuous 4" vertical adjustment are shipped pre-installed. Post installation adjustment possible without the use of tools from above or below ceiling.
- Galvanized steel junction box with hinged access covers and spring latch. Three combination 1/2"-3/4" and one 1/2" knockout for straight-through conduit runs. Capacity: 8 (4in, 4out) No. 12 AWG conductors rated for 90°C.
- Secondary housing adjustment system for precise, final ceiling to flange alignment.

## ELECTRICAL SYSTEM

- Solid state LED light engine available in 3500 K or 4100 K color temperatures.
- Class P, thermally protected 0-10V solid-state dimming driver.
- Rated system life of 50,000 hours at 70% output.
- Thermally activated insulation detector.
- Emergency battery pack and SIMPLY5™ energy management system available.
- Luminaire should be installed in applications where ambient temperatures do not exceed 50°C. Ambient temperatures that exceed 50°C will result in reduced lamp life and will void warranty.

## LISTING

- Fixtures are UL Listed for thru-branch wiring, Non-IC recessed mounting and damp locations. Listed and labeled to comply with Canadian Standards.

## WARRANTY

- 5-year limited warranty. Complete warranty terms located at [www.acuitybrands.com/CustomerResources/Terms\\_and\\_conditions.aspx](http://www.acuitybrands.com/CustomerResources/Terms_and_conditions.aspx).

Type

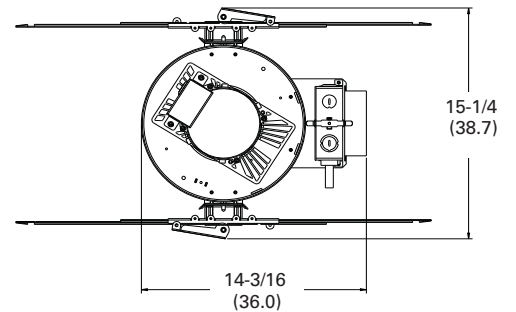
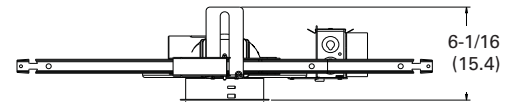
Catalog number



LED Downlights

# 4" ECSR

Ecoss™  
Open Reflector



Aperture: 4-3/8 (11.1)  
Ceiling Opening: 5-1/16 (12.9)  
Overlap Trim: 5-7/16 (13.8)

All dimensions are inches (centimeters).

**Minimum of 9" required above fixture for non-accessible ceilings.**

# ORDERING INFORMATION

Example: ECSR 35/10 4AR LD 120

Choose the boldface catalog nomenclature that best suits your needs and write it on the appropriate line. Order accessories as separate catalog numbers (shipped separately).

## ECSR

Series	Color temperature	Nominal lumen output	Aperture	Trim color	Finish	Voltage	Options
ECSR	<b>35/</b> 3500 K 41/ 4100 K	<b>10</b> 1000 lms	<b>4</b>	<b>AR</b> Clear <b>PR</b> Pewter <b>WTR</b> Wheat <b>GR</b> Gold <b>MB</b> Black baffle <b>WR</b> White painted <b>WB</b> White baffle	(blank) Semi-specular <b>LD</b> Matte-diffuse	<b>120</b> <b>277</b> <b>347<sup>2</sup></b>	<b>SF</b> Single fuse <b>EL<sup>3</sup></b> Emergency battery pack with integral test switch <b>ELR<sup>3</sup></b> Emergency battery pack with remote test switch <b>ELRHL<sup>3</sup></b> High-lumen emergency battery pack with remote test switch <b>TRW</b> White painted flange <b>TRBL</b> Black painted flange <b>LRC<sup>4</sup></b> Provides compatibility with Lithonia Reloc® System. Access above ceiling required <b>CP</b> Chicago plenum <b>MFLG</b> Microflange™ trim <b>NSD<sup>5</sup></b> Sensor Switch nLight™ dimming relay
							<b>Driver</b> (blank) 0-10V dimming ballast

## NOTES

1. Not available with finishes. TRW standard.
2. Height of fixture increases 3".
3. For dimensional changes, refer to Technical Bulletins.
4. For compatible Reloc systems, refer to Technical Bulletins.
5. One 5A relay with one 0-10 VDC dimming output, shipped installed. Refer to [nSP5-D](#).

# 4" ECSR Ecos™ Open Reflector

Distribution Curve

Distribution Data

Output Data

Coefficient of Utilization

Illuminance Data at 30"  
Above Floor for a Single Luminaire

ECSR4 35/10 4AR, 30W LED, 893 delivered lumens, 1.2 s/mh, Input watts: 30, Test no. LTL16994

From 0°	Ave Lumens	Zone	Lumens % Lamp	% Fixture	pf	pc	20%												Mounting Height	Initial FC Beam	50% beam 62.7° Diameter FC	10% beam 96.3° Diameter FC	
							80%				70%				50%								
							70%	50%	30%	10%	50%	30%	10%	50%	30%	10%	50%	30%					10%
0	532	0° - 30°	419.4	47.0	47.0	0	119	119	119	119	116	116	116	111	111	111	8.0	17.6	6.7	8.8	12.3	1.8	
5	532	0° - 40°	654.2	73.3	73.3	1	112	109	106	104	107	104	102	103	101	99	10.0	9.5	9.1	4.7	16.7	0.9	
10	529	0° - 60°	888.0	99.4	99.6	2	105	100	95	91	98	94	90	95	91	88	12.0	5.9	11.6	2.9	21.2	0.6	
15	523	0° - 90°	892.0	99.9	100.0	3	99	91	85	80	90	84	80	87	82	78	14.0	4.0	14.0	2.0	25.7	0.4	
20	483	90° - 180°	0.0	0.0	0.0	4	92	83	77	71	82	76	71	80	74	70	16.0	2.9	16.4	1.5	30.1	0.3	
25	507	0° - 180°	892.0	99.9	100.0	5	86	76	69	64	75	69	64	73	68	63							
30	483					6	81	70	63	58	69	62	58	68	62	57							
35	443					7	76	65	57	52	64	57	52	62	56	52							
40	378					8	71	60	53	48	59	52	48	58	52	47							
45	228					9	67	55	48	44	55	48	44	54	48	43							
50	149					10	63	51	45	40	51	44	40	50	44	40							
55	64																						
60	6																						
65	3																						
70	1																						
75	1																						
80	0																						
85	0																						
90	0																						

Photometric performance is measured in accordance with IESNA LM-79.

For expanded options and updated photometric information, please visit [www.gothamlighting.com](http://www.gothamlighting.com) or contact the factory directly.

**NOTES:**

1. For electrical characteristics, refer to Technical Bulletins tab.
2. Tested to current IES and NEMA standards under stabilized laboratory conditions. Various operating factors can cause differences between laboratory data and actual field measurements. Actual performance may differ as a result of end-user environment and application. Dimensions and specifications are based on the most current available data and are subject to change without notice.
3. Consult factory or IES file for microgroove baffle, black cone and other photometric reports.

**DLED-110**

©2008-2012 Acuity Brands Lighting, Inc.  
All Rights Reserved. Rev. 02/23/12  
Specifications subject to change without notice.



GOTHAM ARCHITECTURAL DOWNLIGHTING  
1400 Lester Road Conyers Georgia 30012  
P 800 315 4982 F 770 860 3129  
[www.gothamlighting.com](http://www.gothamlighting.com)