

FEATURES

OPTICAL SYSTEM

- Self-flanged, semi-specular or matte-diffuse lower reflector in combination with highly reflective/diffuse upper reflector provides unparalleled performance and efficiency. Patented Bounding Ray™ Optical Principle design (U.S. Patent No. 5,800,050) provides source before source image and smooth transition from top of the reflector to bottom.
- Outer kicker reflector with inner reflector provides uniform wallwash performance from ceiling to floor and fixture to fixture.
- Wallwash trim orientation is independent of housing, eliminating installation concerns.

MECHANICAL SYSTEM

- Housing accommodates a maximum 1-1/2" ceiling thickness.
- Light engine and driver are accessible from above or below ceiling and can be upgraded to accommodate future technology improvements.
- 16-gauge galvanized steel mounting bars with continuous 4" vertical adjustment are shipped pre-installed. Post installation adjustment possible without the use of tools from above or below ceiling.
- Galvanized steel junction box with hinged access covers and spring latch. Three combination 1/2"-3/4" and one 1/2" knockout for straight-through conduit runs. Capacity: 8 (4in, 4out) No. 12 AWG conductors rated for 90°C.
- Secondary housing adjustment system for precise, final ceiling to flange alignment.

ELECTRICAL SYSTEM

- Solid state LED light engine available in 3500 K or 4100 K color temperatures.
- Class P, thermally protected 0-10V solid-state driver.
- Rated system life of 50,000 hours at 70% output.
- Thermally activated insulation detector.
- Emergency battery pack and SIMPLY5™ energy management system available.
- Luminaire should be installed in applications where ambient temperatures do not exceed 50°C. Ambient temperatures that exceed 50°C will result in reduced lamp life and will void warranty.

LISTING

- Fixtures are UL Listed for thru-branch wiring, Non-IC recessed mounting and damp locations. Listed and labeled to comply with Canadian Standards.

WARRANTY

- 5-year limited warranty. Complete warranty terms located at www.acuitybrands.com/CustomerResources/Terms_and_conditions.aspx.

Type

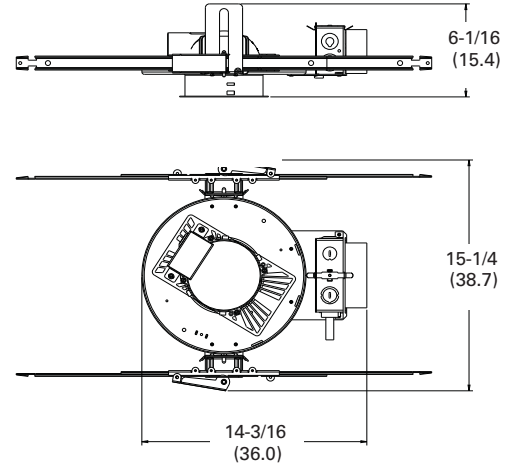
Catalog number



LED Downlights

4" ECSRW

EcOS™
Open Wallwash



Aperture: 4-3/8 (11.1)
Ceiling Opening: 5-1/16 (12.9)
Overlap Trim: 5-7/16 (13.8)

Minimum of 9" required above fixture for non-accessible ceilings.

All dimensions are inches (centimeters).

ORDERING INFORMATION

Example: **ECSRW35/104ARLD120**

Choose the boldface catalog nomenclature that best suits your needs and write it on the appropriate line. Order accessories as separate catalog numbers (shipped separately).

ECSRW

Series	Color temperature	Nominal lumen output	Aperture	Trim color	Finish	Voltage	Options
ECSRW	35/ 3500 K 41/ 4100 K	10 1000 lms	4	AR Clear PR Pewter WTR Wheat GR Gold WR¹ White painted	(blank) Semi-specular LD Matte-diffuse	120 277 347²	SF Single fuse EL³ Emergency battery pack with integral test switch ELR³ Emergency battery pack with remote test switch ELRHL³ High-lumen emergency battery pack with remote test switch TRW White painted flange TRBL Black painted flange LRC⁴ Provides compatibility with Lithonia Reloc® System. Access above ceiling required CP Chicago plenum MFLG Microflange™ trim NSD⁵ Sensor Switch nLight™ dimming relay
						Driver	
						(blank) 0-10V dimming ballast	

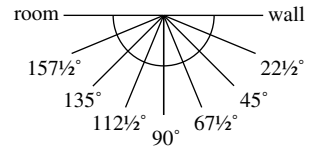
NOTES

1. Not available with finishes. TRW standard.
2. Height of fixture increases 3".
3. For dimensional changes, refer to Technical Bulletins.
4. For compatible Reloc systems, refer to Technical Bulletins.
5. One 5A relay with one 0-10 VDC dimming output, shipped installed. Refer to nSP5-D.

4" ECSRW Ecos™ Open Wallwash

TECHNICAL INFORMATION

Footcandle values are initial and tables are based on minimum of six units. For fixture-to-wall distance other than those shown, use maximum of one-to-one spacing (distance between fixtures not more than distance to wall) for best results.



Fixture/lamp	Candlepower data						Footcandle values						
	Plane Angle						3 ft. from wall on 3 ft. centers			3 ft. from wall on 4 ft. centers			
ECSRW 35/10 4AR	Room Side			Wall Side									
	Vertical Angle	90°	67.5°	45°	22.5°	Wall							
Input watts: 30	0°	524	524	524	524	524	1	0	0	0	0	0	0
715 delivered lumens	5°	523	531	538	543	541	2	1	1	1	1	0	1
Test no. LTL16995	15°	521	546	567	580	581	3	6	5	6	5	4	5
	25°	389	391	414	434	451	4	8	8	8	7	6	7
	35°	255	246	238	235	241	5	9	9	9	7	6	7
	45°	143	132	121	109	109	6	8	8	8	7	6	7
	55°	51	39	28	22	24	7	8	8	8	6	6	6
	65°	14	7	3	1	1	8	7	7	7	5	5	5
	75°	4	2	1	0	1	9	6	6	6	4	5	4
	85°	0	0	0	0	0	10	5	5	5	4	4	4
	90°	0	0	0	0	0							

Photometric performance is measured in accordance with IESNA LM-79.

For expanded options and updated photometric information, please visit www.gothamlighting.com or contact the factory directly.

NOTES:

1. For electrical characteristics, refer to Technical Bulletins tab.
2. Tested to current IES and NEMA standards under stabilized laboratory conditions. Various operating factors can cause differences between laboratory data and actual field measurements. Actual performance may differ as a result of end-user environment and application. Dimensions and specifications are based on the most current available data and are subject to change without notice.
3. Consult factory or IES file for microgroove baffle, black cone and other photometric reports.

DLED-120

©2008-2012 Acuity Brands Lighting, Inc.
 All Rights Reserved. Rev. 02/23/12
 Specifications subject to change without notice.



GOTHAM ARCHITECTURAL DOWNLIGHTING
 1400 Lester Road Conyers Georgia 30012
 P 800 315 4982 F 770 860 3129
www.gothamlighting.com