

FEATURES

OPTICAL SYSTEM

- Self-flanged matte-diffuse high-impact polymer finishing trim with a durable, proprietary, vapor deposition finish.
- Patented Bounding Ray™ Optical Principle design (U.S. Patent No. 5,800,050) provides lamp before lamp image and smooth transition from top of the reflector to bottom.

MECHANICAL SYSTEM

- Housing accommodates a maximum 1-1/2" ceiling thickness.
- Light engine and driver are accessible from above or below ceiling and can be upgraded to accommodate future technology improvements.
- 16-gauge galvanized steel mounting bars with continuous 4" vertical adjustment are shipped pre-installed. Post installation adjustment possible without the use of tools from above or below ceiling.
- Galvanized steel junction box with hinged access covers and spring latch. Three combination 1/2"-3/4" and one 1/2" knockout for straight-through conduit runs. Capacity: 8 (4in, 4out) No. 12 AWG conductors rated for 90°C.
- Secondary housing adjustment system for precise, final ceiling to flange alignment.

ELECTRICAL SYSTEM

- Solid state LED light engine available in 3500 K or 4100 K color temperatures.
- Class P, thermally protected 0-10V solid-state dimming driver is standard.
- Rated system life of 50,000 hours at 70% output.
- Thermally activated insulation detector.
- Emergency battery pack and SIMPLY5™ energy management system available.

LISTING

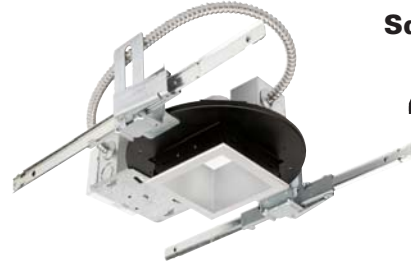
- Fixtures are UL Listed for thru-branch wiring, Non-IC recessed mounting and damp locations. Listed and labeled to comply with Canadian Standards. Tested to IESNA LM-79 and LM-80 standards.

WARRANTY

- 5-year limited warranty. Complete warranty terms located at www.acuitybrands.com/CustomResources/Terms_and_conditions.aspx.

Type

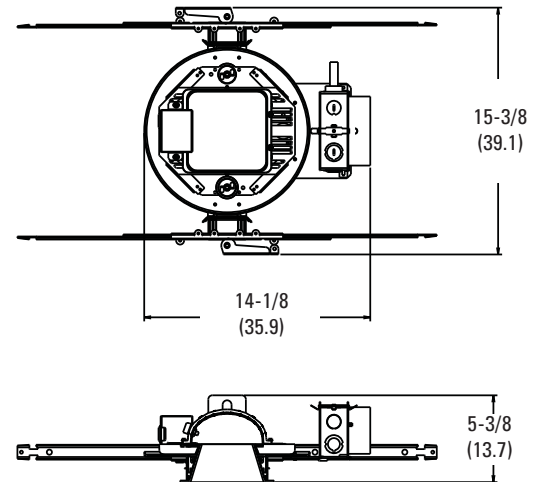
Catalog number



Square LED Downlights

4" ECSS

Ecos™ Square
Open Reflector



Aperture: 4-1/2 (11.4)
Ceiling opening: 5-1/8 (13.0)
Overlap trim: 5-3/4 (14.6)

All dimensions are
inches (centimeters).

**Minimum of 9" required above ceiling
for non-accessible ceilings.**

ORDERING INFORMATION

Example: **ECSS 35/09 4AR LD 120**

Choose the boldface catalog nomenclature that best suits your needs and write it on the appropriate line. Order accessories as separate catalog numbers (shipped separately).

ECSS

Series	Color temperature	Nominal lumen output	Aperture	Trim color	Finish	Voltage	Options
ECSS	35/ 3500 K 41/ 4100 K	09 900 lms	4	AR Clear PR Pewter WTR Wheat DSR Stepped WR White BR Black PDSR Stepped pewter WDSR Stepped wheat	LD Matte-diffuse (blank) ¹ Semi-specular	120 277 347²	SF Single fuse EL³ Emergency battery pack with integral test switch ELR⁹ Emergency battery pack with remote test switch ELRHL³ High-lumen emergency battery pack with remote test switch TRW White flange TRBL Black flange MFLG Microflange™ trim SQMT⁴ Square metal trim LRC⁵ Provides compatibility with Lithonia Reloc® System. Access above ceiling required. CP Chicago plenum NSD⁶ Sensor Switch nLight™ dimming relay
Driver							
(blank) 0-10V dimming driver							

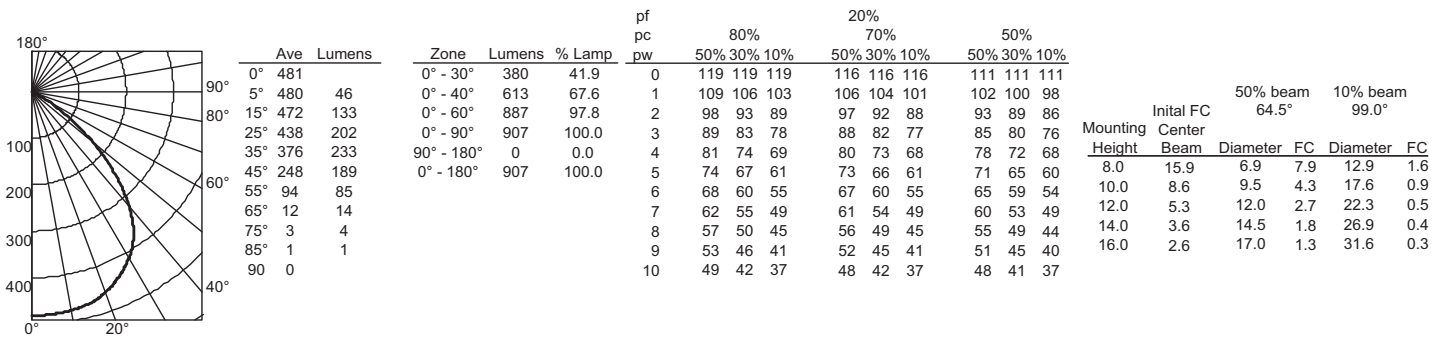
NOTES

1. Available with WR and BR trim colors and SQMT metal trim option.
2. Height of fixture increases 3".
3. For dimensional changes, refer to Technical Bulletins.
4. Not available with stepped trims or MFLG option.
5. For compatible Reloc systems, refer to Technical Bulletins.
6. One 5A relay with one 0-10 VDC dimming output, shipped installed. Refer to [nSP5-D](#).

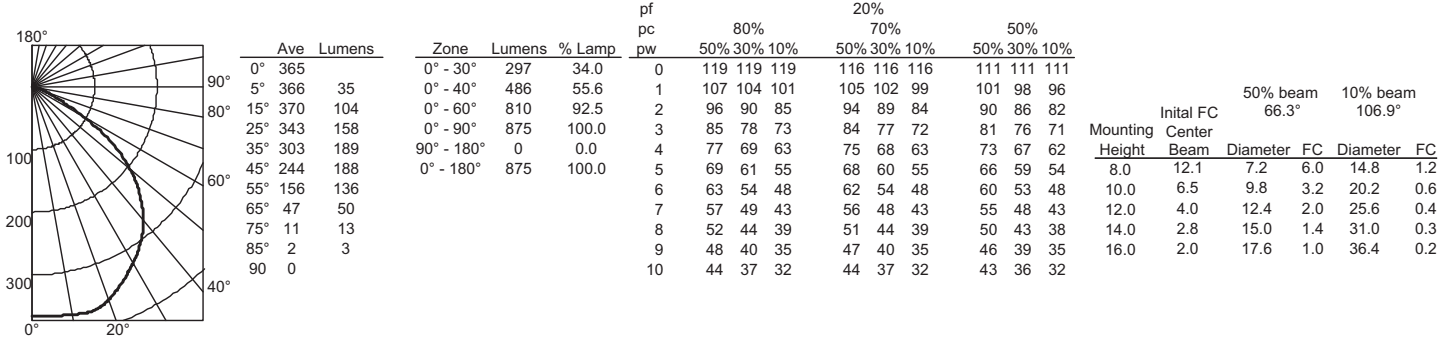
4" ECSS Ecos™ Square Open Reflector

Distribution curve Distribution data Output data Coefficient of utilization Single luminaire data 30" above floor

ECSS 35/09 4AR LD, 34W LED, 900 delivered lumens, 1.3 s/mh, Input watts: 34, Test no. LTL18182



ECSS 35/09 4DSR LD, 34W LED, 900 delivered lumens, 1.3 s/mh, Input watts: 34, Test no. LTL18183



Photometric performance is measured in accordance with IESNA LM-79.

For expanded options and updated photometric information, please visit www.gothamlighting.com or contact the factory directly.

NOTES:

1. For electrical characteristics, refer to Technical Bulletins tab.
2. Tested to current IES and NEMA standards under stabilized laboratory conditions. Various operating factors can cause differences between laboratory data and actual field measurements. Actual performance may differ as a result of end-user environment and application. Dimensions and specifications are based on the most current available data and are subject to change without notice.
3. Consult factory or IES file for microgroove baffle, black cone and other photometric reports.

ECOS-ECSS-4

©2009-2012 Acuity Brands Lighting, Inc.
All Rights Reserved. Rev. 06/20/12
Specifications subject to change without notice.



GOTHAM ARCHITECTURAL DOWNLIGHTING
1400 Lester Road Conyers Georgia 30012
P 800 315 4982 F 770 860 3129
www.gothamlighting.com