

# FEATURES

## OPTICAL SYSTEM

- Self-flanged matte-diffuse high-impact polymer finishing trim with a durable, proprietary, vapor deposition finish.
- Patented Bounding Ray™ Optical Principle design (U.S. Patent No. 5,800,050) provides lamp before lamp image and smooth transition from top of the reflector to bottom.

## MECHANICAL SYSTEM

- Housing accommodates a maximum 1-1/2" ceiling thickness.
- Light engine and driver are accessible from above or below ceiling and can be upgraded to accommodate future technology improvements.
- 16-gauge galvanized steel mounting bars with continuous 4" vertical adjustment are shipped pre-installed. Post installation adjustment possible without the use of tools from above or below ceiling.
- Galvanized steel junction box with hinged access covers and spring latch. Three combination 1/2"-3/4" and one 1/2" knockout for straight-through conduit runs. Capacity: 8 (4in, 4out) No. 12 AWG conductors rated for 90°C.
- Secondary housing adjustment system for precise, final ceiling to flange alignment.

## ELECTRICAL SYSTEM

- Solid state LED light engine available in 3500 K or 4100 K color temperatures.
- Class P, thermally protected 0-10v solid-state dimming driver is standard.
- Rated system life of 50,000 hours at 70% output.
- Thermally activated insulation detector.
- Emergency battery pack and SIMPLY5™ energy management system available.

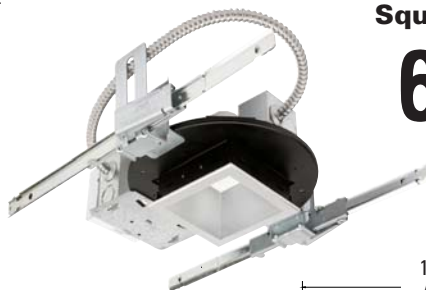
## LISTING

- Fixtures are UL Listed for thru-branch wiring, Non-IC recessed mounting and damp locations. Listed and labeled to comply with Canadian Standards. Tested to IESNA LM-79 and LM-80 standards.

## WARRANTY

- 5-year limited warranty. Complete warranty terms located at [www.acuitybrands.com/CustomerResources/Terms\\_and\\_conditions.aspx](http://www.acuitybrands.com/CustomerResources/Terms_and_conditions.aspx).

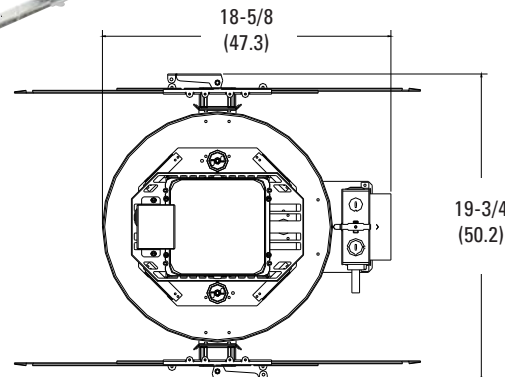
Type Catalog number



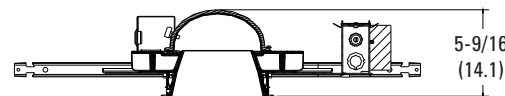
## Square LED Downlights

# 6" ECSS

## Ecos™ Square Open Reflector



Aperture: 6 (15.2)  
 Ceiling opening: 6-5/8 (16.8)  
 Overlap trim: 7-3/16 (18.3)



**Minimum of 9" required above ceiling for non-accessible ceilings.**

All dimensions are inches (centimeters).

# ORDERING INFORMATION

Example: **ECSS 35/12 6AR LD 120**

Choose the boldface catalog nomenclature that best suits your needs and write it on the appropriate line. Order accessories as separate catalog numbers (shipped separately).

## ECSS

Series	Color temperature	Nominal lumen output	Aperture	Trim color	Finish	Voltage	Options
<b>ECSS</b>	<b>35/</b> 3500 K <b>41/</b> 4100 K	<b>12</b> 1200 lms	<b>6</b>	<b>AR</b> Clear <b>PR</b> Pewter <b>WTR</b> Wheat <b>DSR</b> Stepped <b>WR</b> White <b>BR</b> Black <b>PDSR</b> Stepped pewter <b>WDSR</b> Stepped wheat	<b>LD</b> Matte-diffuse (blank) <sup>1</sup> Semi-specular	<b>120</b> <b>277</b> <b>347<sup>2</sup></b>	<b>SF</b> Single fuse <b>EL<sup>3</sup></b> Emergency battery pack with integral test switch <b>ELR<sup>3</sup></b> Emergency battery pack with remote test switch <b>ELRHL<sup>3</sup></b> High-lumen emergency battery pack with remote test switch <b>TRW</b> White flange <b>TRBL</b> Black flange <b>MFLG</b> Microflange™ trim <b>SQMT<sup>4</sup></b> Square metal trim <b>LRC<sup>5</sup></b> Provides compatibility with Lithonia Reloc® System. Access above ceiling required <b>CP</b> Chicago plenum <b>NSD<sup>6</sup></b> Sensor Switch nLight™ dimming relay
<b>Driver</b>							
<b>(blank)</b> 0-10V dimming driver							

## NOTES

1. Available with WR and BR trim colors and SQMT metal trim option.
2. Height of fixture increases 3".
3. For dimensional changes, refer to Technical Bulletins.
4. Not available with stepped trims or MFLG option.
5. For compatible Reloc systems, refer to Technical Bulletins.
6. One 5A relay with one 0-10 VDC dimming output, shipped installed. Refer to [nSP5-D](#).

# 6" ECSS Ecos™ Square Open Reflector

Distribution curve	Distribution data	Output data	Coefficient of utilization	Single luminaire data 30" above floor
<b>ECSS 35/12 6AR LD, 39W LED, 1200 delivered lumens, 1.3 s/mh, Input watts: 39, Test no. LTL18184</b>				
	Ave Lumens	Zone Lumens % Lamp	pf pc pw	20% 80% 70% 50%
	0° 659 63	0° - 30° 527 41.5	0 119 119 119	116 116 116 111 111 111
	5° 659 63	0° - 40° 859 67.7	1 109 106 103	106 104 101 102 100 98
	15° 651 183	0° - 60° 1244 98.1	2 99 94 89	97 92 88 93 90 86
	25° 609 281	0° - 90° 1268 100.0	3 89 83 78	88 82 77 85 80 76
	35° 536 332	90° - 180° 0 0.0	4 81 74 69	80 73 68 78 72 68
	45° 360 273	0° - 180° 1268 100.0	5 74 67 61	73 66 61 71 65 60
	55° 121 113		6 68 60 55	67 60 55 65 59 54
	65° 15 18		7 62 55 49	61 54 49 60 53 49
	75° 4 5		8 57 50 45	56 49 45 55 49 44
	85° 1 1		9 53 46 41	52 45 41 51 45 40
90° 0		10 49 42 37	48 42 37 47 41 37	
				50% beam 68.5° 10% beam 99.2°
				Initial FC
				Mounting Center
				Height Beam Diameter FC Diameter FC
				8.0 21.8 7.1 10.9 12.9 2.2
				10.0 11.7 9.7 5.9 17.6 1.2
				12.0 7.3 12.3 3.7 22.3 0.7
				14.0 5.0 14.9 2.5 27.0 0.5
				16.0 3.6 17.5 1.8 31.7 0.4

Distribution curve	Distribution data	Output data	Coefficient of utilization	Single luminaire data 30" above floor
<b>ECSS 35/12 6DSR LD, 39W LED, 1200 delivered lumens, 1.3 s/mh, Input watts: 39, Test no. LTL18185</b>				
	Ave Lumens	Zone Lumens % Lamp	pf pc pw	20% 80% 70% 50%
	0° 496 48	0° - 30° 404 33.5	0 119 119 119	116 116 116 111 111 111
	5° 498 48	0° - 40° 661 54.8	1 107 104 101	105 102 99 101 98 96
	15° 504 142	0° - 60° 1109 92.0	2 95 90 85	94 88 84 90 86 82
	25° 465 215	0° - 90° 1206 100.0	3 85 78 72	84 77 72 81 75 71
	35° 412 257	90° - 180° 0 0.0	4 76 68 63	75 68 62 73 66 61
	45° 334 256	0° - 180° 1206 100.0	5 69 61 55	68 60 54 66 59 54
	55° 219 192		6 62 54 48	61 53 48 60 53 47
	65° 72 76		7 57 48 43	56 48 43 54 47 42
	75° 15 18		8 52 44 38	51 43 38 50 43 38
	85° 2 3		9 48 40 35	47 40 34 46 39 34
90° 0		10 44 36 31	43 36 31 42 36 31	
				50% beam 66.3° 10% beam 107.2°
				Initial FC
				Mounting Center
				Height Beam Diameter FC Diameter FC
				8.0 16.4 7.2 8.2 14.9 1.6
				10.0 8.8 9.8 4.4 20.3 0.9
				12.0 5.5 12.4 2.7 25.8 0.6
				14.0 3.8 15.0 1.9 31.2 0.4
				16.0 2.7 17.6 1.4 36.6 0.3

Photometric performance is measured in accordance with IESNA LM-79.

For expanded options and updated photometric information, please visit [www.gothamlighting.com](http://www.gothamlighting.com) or contact the factory directly.

**NOTES:**

1. For electrical characteristics, refer to Technical Bulletins tab.
2. Tested to current IES and NEMA standards under stabilized laboratory conditions. Various operating factors can cause differences between laboratory data and actual field measurements. Actual performance may differ as a result of end-user environment and application. Dimensions and specifications are based on the most current available data and are subject to change without notice.
3. Consult factory or IES file for microgroove baffle, black cone and other photometric reports.

**ECOS-ECSS-6**

©2009-2012 Acuity Brands Lighting, Inc.  
 All Rights Reserved. Rev. 06/20/12  
 Specifications subject to change without notice.



GOTHAM ARCHITECTURAL DOWNLIGHTING  
 1400 Lester Road Conyers Georgia 30012  
 P 800 315 4982 F 770 860 3129  
[www.gothamlighting.com](http://www.gothamlighting.com)