

# FEATURES

## OPTICAL SYSTEM

- Self-flanged matte-diffuse high-impact polymer finishing trim with a durable, proprietary, vapor deposition finish.
- Patented Bounding Ray™ Optical Principle design (U.S. Patent No. 5,800,050). provides lamp before lamp image and smooth transition from top of the reflector to bottom.
- Proprietary Gotham spread lens delivers a uniform distribution of light to the wall.

## MECHANICAL SYSTEM

- Housing accommodates a maximum 1-1/2" ceiling thickness.
- Light engine and driver are accessible from above or below ceiling and can be upgraded to accommodate future technology improvements.
- 16-gauge galvanized steel mounting bars with continuous 4" vertical adjustment are shipped pre-installed. Post installation adjustment possible without the use of tools from above or below ceiling.
- Galvanized steel junction box with hinged access covers and spring latch. Three combination 1/2"-3/4" and one 1/2" knockout for straight-through conduit runs. Capacity: 8 (4in, 4out) No. 12 AWG conductors rated for 90°C.
- Secondary housing adjustment system for precise, final ceiling to flange alignment.

## ELECTRICAL SYSTEM

- Solid state LED light engine available in 3500 K or 4100 K color temperatures.
- Class P, thermally protected 0-10V solid-state dimming driver is standard.
- Rated system life of 50,000 hours at 70% output.
- Thermally activated insulation detector.
- Emergency battery pack and SIMPLY5™ energy management system available.

## LISTING

- Fixtures are UL Listed for thru-branch wiring, Non-IC recessed mounting and damp locations. Listed and labeled to comply with Canadian Standards. Tested to IESNA LM-79 and LM-80 standards.

## WARRANTY

- 5-year limited warranty. Complete warranty terms located at [www.acuitybrands.com/CustomerResources/Terms and conditions.aspx](http://www.acuitybrands.com/CustomerResources/Terms_and_conditions.aspx).

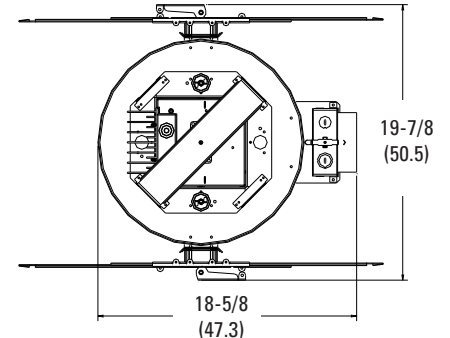
Type

Catalog number

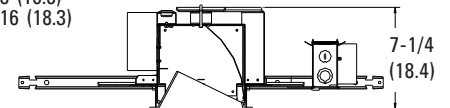
## Square LED Downlights

# 6" ECSSW

## Ecos™ Square Lensed Wallwash



Aperture: 6 (15.2)  
Ceiling opening: 6-5/8 (16.8)  
Overlap trim: 7-3/16 (18.3)



Minimum of 9" required above ceiling for non-accessible ceilings.

All dimensions are inches (centimeters).

# ORDERING INFORMATION

Example: ECSSW 35/12 6AR LD 120

Choose the boldface catalog nomenclature that best suits your needs and write it on the appropriate line. Order accessories as separate catalog numbers (shipped separately).

## ECSSW

Series	Color temperature	Nominal lumen output	Aperture	Trim color	Finish	Voltage	Options
<b>ECSSW</b>	<b>35/</b> 3500 K <b>41/</b> 4100 K	<b>12</b> 1200 lms	<b>6</b>	<b>AR</b> Clear <b>PR</b> Pewter <b>WTR</b> Wheat <b>DSR</b> Stepped <b>WR</b> White <b>BR</b> Black <b>PDSR</b> Stepped pewter <b>WDSR</b> Stepped wheat	<b>LD</b> Matte-diffuse (blank) <sup>1</sup> Semi-specular	<b>120</b> <b>277</b> <b>347<sup>2</sup></b>	<b>SF</b> Single fuse <b>TRW</b> White flange <b>TRBL</b> Black flange <b>MFLG</b> Microflange™ trim <b>SQMT<sup>3</sup></b> Square metal trim <b>LRC<sup>4</sup></b> Provides compatibility with Lithonia Reloc® System. Access above ceiling required <b>CP</b> Chicago plenum <b>NSD<sup>5</sup></b> Sensor Switch nLight™ dimming relay <b>ELR<sup>6</sup></b> Emergency battery pack with remote test switch <b>ELRHL<sup>6</sup></b> High-lumen emergency battery pack with remote test switch
						<b>Driver</b> (blank) 0-10V dimming driver	

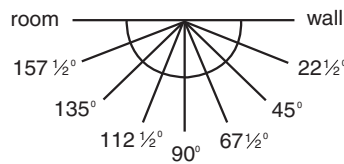
## NOTES

1. Only available with SQMT metal trim option.
2. Height of fixture increases 1-3/4".
3. Not available with stepped trims or MFLG option.
4. For compatible Reloc systems, refer to Technical Bulletins.
5. One 5A relay with one 0-10 VDC dimming output, shipped installed. Refer to nSP5-D.
6. For dimensional changes, refer to Technical Bulletins.

# 6" ECSSW Ecos™ Square Wallwash Reflector

## TECHNICAL INFORMATION

Footcandle values are initial and tables are based on minimum of six units. For fixture-to-wall distance other than those shown, use maximum of one-to-one spacing (distance between fixtures not more than distance to wall) for best results.



Fixture/lamp	Candlepower data	Footcandle values
--------------	------------------	-------------------

### ECSSW 35/12 6AR LD

Input watts: 41

719 Total rated lumens

Test No. LTL18234

	Plane angle							
	Wall	22.5	45	67.5	90	112.5	135	157.5
0	226	226	226	226	226	226	226	226
5	313	305	282	252	224	204	190	182
15	549	512	424	314	215	164	146	142
25	692	629	506	357	203	135	124	132
35	630	577	484	355	182	107	102	116
45	397	373	367	302	141	75	74	82
55	188	180	216	194	84	41	39	41
65	66	64	87	78	34	13	11	12
75	16	15	18	13	7	3	2	3
85	0	1	1	2	1	1	1	1
90	0	0	0	0	0	0	0	0

ft. from ceiling	Wallwash Illuminance Study (fc)								
	Illuminance on wall from 6 luminaires								
	Luminaire mounted 3 ft. from wall			Luminaire mounted 3 ft. from wall			Luminaire mounted 3 ft. from wall		
	3 ft. between luminaires			4 ft. between luminaires			5 ft. between luminaires		
	3	3.5	4	3	3.5	4	3	3.5	4
1	3	3	3	3	2	3	3	1	3
2	15	13	15	12	9	12	11	7	11
3	25	23	25	20	16	20	18	12	18
4	26	24	26	20	18	20	17	13	17
5	22	21	22	17	15	17	14	12	14
6	17	16	17	13	12	13	11	10	11
7	13	12	12	10	9	10	8	8	8
8	9	9	9	7	7	7	6	6	6
9	7	7	7	6	6	6	5	5	5
10	5	6	5	4	4	4	4	4	4

### ECSSW 35/12 6DSR LD

Input watts: 41

732 Total rated lumens

Test No. LTL18235

	Plane angle							
	Wall	22.5	45	67.5	90	112.5	135	157.5
0	226	226	226	226	226	226	226	226
5	313	305	282	252	224	204	190	182
15	549	512	424	314	215	164	146	142
25	692	629	506	357	203	135	124	132
35	630	577	484	355	182	107	102	116
45	397	373	367	302	141	75	74	82
55	188	180	216	194	84	41	39	41
65	66	64	87	78	34	13	11	12
75	16	15	18	13	7	3	2	3
85	0	1	1	2	1	1	1	1
90	0	0	0	0	0	0	0	0

ft. from ceiling	Wallwash Illuminance Study (fc)								
	Illuminance on wall from 6 luminaires								
	Luminaire mounted 3 ft. from wall			Luminaire mounted 3 ft. from wall			Luminaire mounted 3 ft. from wall		
	3 ft. between luminaires			4 ft. between luminaires			5 ft. between luminaires		
	3	3.5	4	3	3.5	4	3	3.5	4
1	3	3	3	3	2	3	3	1	3
2	15	13	15	12	9	12	11	7	11
3	25	23	25	20	16	20	18	12	18
4	26	24	26	20	18	20	17	13	17
5	22	21	22	17	15	17	14	12	14
6	17	16	17	13	12	13	11	10	11
7	13	12	12	10	9	10	8	8	8
8	9	9	9	7	7	7	6	6	6
9	7	7	7	6	6	6	5	5	5
10	5	6	5	4	4	4	4	4	4

Photometric performance is measured in accordance with IESNA LM-79.

For expanded options and updated photometric information, please visit [www.gothamlighting.com](http://www.gothamlighting.com) or contact the factory directly.

**NOTES:**

- For electrical characteristics, refer to Technical Bulletins tab.
- Tested to current IES and NEMA standards under stabilized laboratory conditions. Various operating factors can cause differences between laboratory data and actual field measurements. Actual performance may differ as a result of end-user environment and application. Dimensions and specifications are based on the most current available data and are subject to change without notice.
- Consult factory or IES file for microgroove baffle, black cone and other photometric reports.

## ECOS-ECSSW-6

©2009-2012 Acuity Brands Lighting, Inc.  
All Rights Reserved. Rev. 06/20/12  
Specifications subject to change without notice.



GOTHAM ARCHITECTURAL DOWNLIGHTING  
1400 Lester Road Conyers Georgia 30012  
P 800 315 4982 F 770 860 3129  
[www.gothamlighting.com](http://www.gothamlighting.com)