

Gotham Architectural Downlighting  
LED Downlights

**8" Evo®  
Cylinder**

Solid-State Lighting



FEATURES

**OPTICAL SYSTEM**

- Self-flanged semi-specular, matte-diffuse or specular finishing trim
- Patented Bounding Ray™ optical design (U.S. Patent No. 5,800,050)
- 45° cutoff to source and source image
- Top-down flash characteristic
- Polycarbonate lens integral to light engine

**MECHANICAL SYSTEM**

- Heavy-gauge aluminum construction
- Ceiling mount and wall mount for direct installation to 4" octagonal or square junction box
- Pendant mount entry for 3/8" National Pipe Thread stem; wires supplied by others
- Unique mounting mechanism at top of cylinders for easy one-person installation
- ACC180 provided with 15' 5-wire cord for power and 0-10V dimming

**ELECTRICAL SYSTEM**

- Fully serviceable and upgradeable LED light engine
- 70% lumen maintenance at 60,000 hours

- Tested according LM-79 and LM-80 standards
- 2.5 SDCM; 85 CRI typical, 90+ CRI optional
- Overload and short circuit protected
- Dimming wires supplied by others

**LISTINGS**

- Fixtures are CSA certified to meet US and Canadian standards; wet location, covered ceiling

**WARRANTY**

- 5-year limited warranty. Complete warranty terms located at: [www.acuitybrands.com/CustomerResources/Terms\\_and\\_conditions.aspx](http://www.acuitybrands.com/CustomerResources/Terms_and_conditions.aspx)

Note: Actual performance may differ as a result of end user environment and application. All values are design or typical values, measured under laboratory conditions at 25° C.

ORDERING INFORMATION



A+ Capable options indicated by this color background.

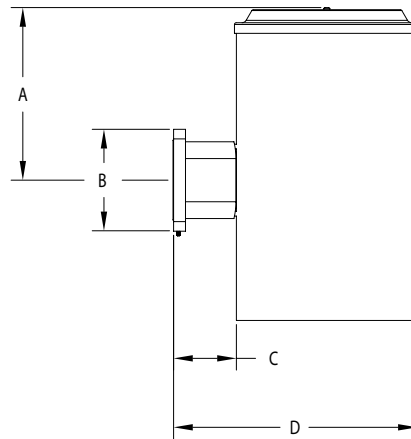
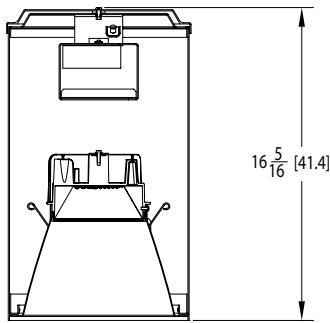
**EXAMPLE: EVO CYL 35/18 8AR MWD LSS MVOLT EZ1 FCM DWHG**

Series	Type	Color temperature	Nominal lumen values	Aperture/Trim color	Trim type	Distribution <sup>2</sup>	Finish	Voltage
EVO	CYL	27/ 2700 K	20 2000 lumens	8AR Clear	(blank) Downlight	VND Very narrow (0.5 s/mh)	LSS Semi-specular	MVOLT 120
		30/ 3000 K	25 2500 lumens	8PR Pewter	W Wallwash	ND Narrow (0.7 s/mh)	LD Matte-diffuse	277
		35/ 3500 K	30 3000 lumens	8WTR Wheat		MD Medium (0.9 s/mh)	LS Specular	
		40/ 4000 K		8GR Gold		MWD Medium wide (1.0 s/mh)		
				8WR <sup>1</sup> White		WD Wide (1.2 s/mh)		
				8BR <sup>1</sup> Black				
				8WRAMF <sup>1</sup> White anti-microbial				

Driver <sup>3</sup>	Mounting	Options
<b>GZ10</b> 0-10V driver dims to 10%	<b>FCM</b> Ceiling mount	<b>SF</b> Single fuse. Specify voltage.
<b>GZ1</b> 0-10V driver dims to 1%	<b>WM<sup>7</sup></b> Wall mount	<b>CR190</b> High CRI (90+)
<b>EZ10</b> eldoLED 0-10V ECOdrive. Linear dimming to 10% min.	<b>PM</b> Pendant 3/8" thread mount	<b>NPP16D<sup>9</sup></b> nLight® network power/relay pack with 0-10V dimming for non-eldoLED drivers (GZ10, GZ1).
<b>EZ1</b> eldoLED 0-10V ECOdrive. Linear dimming to 1% min.	<b>ACC<sup>8</sup></b> 10ft aircraft cable and cord mount	<b>NPP16DER<sup>9</sup></b> nLight® network power/relay pack with 0-10V dimming for non-eldoLED drivers (GZ10, GZ1). ER controls fixtures on emergency circuit.
<b>EZB</b> eldoLED 0-10V SOLOdrive. Logarithmic dimming to <1%.	<b>ACC180<sup>8</sup></b> 15ft aircraft cable and cord mount	<b>NPS80EZ<sup>9,10</sup></b> Sensor Switch® nLight® dimming pack controls 0-10V eldoLED drivers (EZ_).
<b>EDAB<sup>4</sup></b> eldoLED SOLOdrive DALI. Logarithmic dimming to <1%.		<b>NPS80EZER<sup>9,10</sup></b> Sensor Switch® nLight® dimming pack controls 0-10V eldoLED drivers (EZ_). ER controls fixtures on emergency circuit operation.
<b>EDXB<sup>4</sup></b> eldoLED POWERdrive DMX with RDM (remote device management). Square Law dimming to <1%. Includes termination resistor. Refer to <a href="#">DMXR Manual</a> .		<b>N80<sup>11</sup></b> nLight® Lumen Compensation
<b>EXA1<sup>5</sup></b> XPoint Wireless, eldoLED 0-10V ECOdrive. Linear dimming to 1%. Refer to XPoint tech sheet.		
<b>EXAB<sup>5</sup></b> XPoint Wireless, eldoLED 0-10V SOLOdrive. Logarithmic dimming to <1%. Refer to XPoint tech sheet.		
<b>ECOS2<sup>5,6</sup></b> Lutron® Hi-Lume® 2-wire forward-phase driver. 120V only. Minimum dimming level 1%.		
<b>ECOS3<sup>5,6</sup></b> Lutron® Hi-Lume® 3-wire or EcoSystem dimming driver. Minimum dimming level 1%.		
		<b>Architectural Colors - Powder Paint<sup>12</sup></b>
		<b>DWHG</b> Matte white (standard)
		<b>DDB</b> Dark bronze
		<b>DBL</b> Black
		<b>DWB</b> Gloss white
		<b>DMB</b> Medium bronze
		<b>DNA</b> Natural aluminum
		<b>DSS</b> Sandstone
		<b>DGC</b> Charcoal grey
		<b>DTG</b> Tennis green
		<b>DBR</b> Bright red
		<b>DSB</b> Steel blue

DIMENSIONAL DATA

All dimensions are inches (centimeters) unless otherwise noted.



Reflector aperture: 8 (20.3)  
 Housing diameter: 9-1/4 (23.5)

Wall mount dimensions  
 A = 8 (20.3)  
 B = 5-5/16 (13.5)  
 C = 3-1/4 (8.3)  
 D = 12-5/8 (32.1)

ELECTRICAL

WATTAGE CONSUMPTION MATRIX			
LUMENS	LM ACTUAL	WATTAGE	LUMENS per WATT
2000	2,287	31.6	72.5
2500	2,964	41.1	72.0
3000	3,398	47.1	72.2

ACCESSORIES

ACCESSORIES order as separate catalog numbers (shipped separately)

<b>CYS<sup>13</sup></b>	3/8" stem and canopy with 5° "hang straight" swivel	<b>CRSX<sup>13</sup></b>	3/8" stem and canopy with 45° swivel. Use this nomenclature when ordering EDXB driver
<b>CRS<sup>13</sup></b>	3/8" stem and canopy with 45° swivel	<b>SDT 347/120 75VA<sup>14</sup></b>	347V Step-down transformer
<b>CYSX<sup>13</sup></b>	3/8" stem and canopy with 5° "hang straight" swivel. Use this nomenclature when ordering EDXB driver		

NOTES

ORDERING NOTES

- Not available with finishes.
- Not available with wallwash trim.
- Refer to [TECH-240](#) for compatible dimmers.
- Not available with nLight® and XPoint options.
- XPoint® CMRB ships separately.
- Must specify voltage 120V or 277V.
- Access panel (supplied by others) recommended for use with nLight® and XPoint®.
- White cord with white housings. All others black cord.
- Specify voltage. For use with generator supply EM power. Will require an emergency hot feed and normal hot feed.
- Interface remote mounted.
- Fixture begins at 80% light level. Must be specified with NPS80EZ or NPS80EZER.
- Additional architectural colors available; see [www.lithonia.com/archcolors](http://www.lithonia.com/archcolors).
- Color and length of stem must be specified (from 6" to 240" in even increments in maximum sections of 48"). Ex.: CYS06 DWHG. Ceiling attachment for interior use. Consult factory for exterior use. Wire not included.
- Transformer must be field-installed to an accessible remote-mounted junction box.

Distribution Curve	Distribution Data	Output Data	Coefficient of Utilization	Illuminance: Single Luminaire 30" Above Floor
--------------------	-------------------	-------------	----------------------------	-----------------------------------------------

**CONSULT FACTORY FOR PHOTOMETRY**

LUMEN OUTPUT MULTIPLIER - CRI	
CRI	FACTOR
80 CRI	1
90 CRI	0.79

LUMEN OUTPUT MULTIPLIER - CCT	
CRI	FACTOR
4000 K	1.035
3500 K	1
3000 K	0.973
2700 K	0.938

LUMEN OUTPUT MULTIPLIER - TRIM FINISH						
FINISH	CLEAR (AR)	PEWTER (PR)	WHEAT (WTR)	GOLD (GR)	WHITE (WR/WRAF)	BLACK (BR)
Specular (LS)	1.00	0.88	0.83	0.95	N/A	N/A
Semi-specular (LSS)	0.95	0.84	0.79	0.90	N/A	N/A
Matte-diffuse (LD)	0.85	0.73	0.69	0.80	N/A	N/A
Paint	N/A	N/A	N/A	N/A	0.87	0.73

**PHOTOMETRY NOTES**

- Tested in accordance with IESNA LM-79-08.
- Tested to current IES and NEMA standards under stabilized laboratory conditions.
- CRI: 85 typical.

**Choose Wall Controls.**

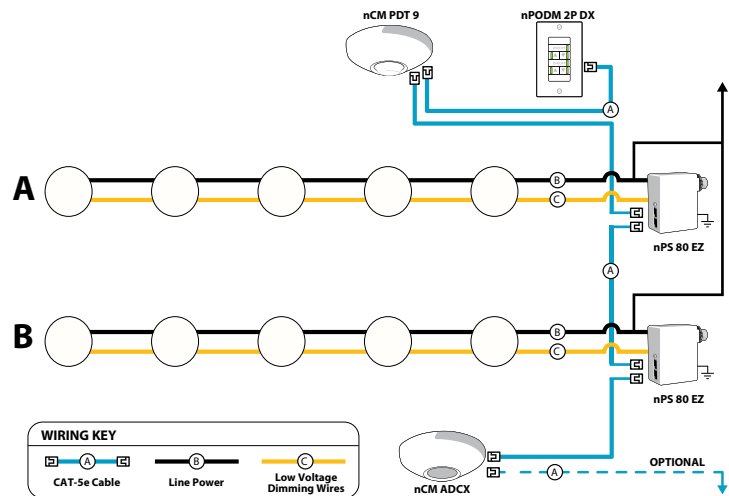
nLIGHT offers multiple styles of wall controls – each with varying features and user experience.



**Push-Button WallPod**  
Traditional tactile buttons and LED user feedback



**Graphic WallPod**  
Full color touch screen provides a sophisticated look and feel



**EXAMPLE**

Group Fixture Control\*  
\*Application diagram applies for fixtures with eldoLED drivers only.

- nPS 80 EZ Dimming/Control Pack (qty 2 required)
- nPODM 2P DX Dual On/Off/Dim Push-Button WallPod
- nCM ADCX Daylight Sensor with Automatic Dimming Control
- nCM PDT 9 Dual Technology Occupancy Sensor

**Description:** This design provides a dual on/off/dim wall station that enables manual control of the fixtures in Row A and Row B separately. Additionally, a daylight harvesting sensor is provided so the lights in row B can be configured to dim automatically when daylight is available. An occupancy sensor turns off all lights when the space is vacant.

nLight® Control Accessories:			
Order as separate catalog number. Visit <a href="http://www.sensorswitch.com/nLight">www.sensorswitch.com/nLight</a> for complete listing of nLight controls.			
<b>WallPod stations</b>	<b>Model number</b>	<b>Occupancy sensors</b>	<b>Model number</b>
On/Off	nPODM [color]	Small motion 360°, ceiling (PIR / dual tech)	nCM 9 / nCM PDT 9
On/Off & Raise/Lower	nPODM DX [color]	Large motion 360°, ceiling (PIR / dual tech)	nCM 10 / nCM PDT 10
Graphic Touchscreen	nPOD GFX [color]	Wide view (PIR / dual tech)	nWV 16 / nWV PDT 16
<b>Photocell controls</b>	<b>Model number</b>	Wall Switch w/ Raise/Lower (PIR / dual tech)	nWSX LV DX / nWSX PDT LV DX
Dimming	nCM ADCX	<b>Cat-5 cables (plenum rated)</b>	<b>Model number</b>
		10', CAT5 10FT	CAT5 10FT J1
		15', CAT5 15FT	CAT5 15FT J1

**A+ Capable Luminaire**

This item is an A+ capable luminaire, which has been designed and tested to provide consistent color appearance and out-of-the-box control compatibility with simple commissioning.

- All configurations of this luminaire meet the Acuity Brands' specification for chromatic consistency
- This luminaire is part of an A+ Certified solution for nLight® control networks when ordered with drivers marked by a shaded background\*
- This luminaire is part of an A+ Certified solution for nLight control networks, providing advanced control functionality at the luminaire level, when selection includes driver and control options marked by a shaded background\*

To learn more about A+, visit [www.acuitybrands.com/aplus](http://www.acuitybrands.com/aplus).

\*See ordering tree for details