

Gotham Architectural Downlighting
LED Downlights



4" Evo® Square Downlight

Solid-State Lighting



FEATURES

OPTICAL SYSTEM

- Self-flanged or flangeless semi-specular, matte-diffuse finishing trim
- Patented Bounding Ray™ optical design (U.S. Patent No. 5,800,050)
- 55° cutoff to source and source image
- Top-down flash characteristic
- Polycarbonate lens integral to light engine

MECHANICAL SYSTEM

- 16-gauge galvanized steel construction; maximum 1-1/4" ceiling thickness
- Telescopic mounting bars maximum of 24" and minimum of 15", included, 4" vertical adjustment
- Toolless adjustments post installation
- Junction box capacity: 8 (4 in, 4 out) 12AWG rated for 90°C
- Light engine and driver accessible through aperture
- Patented adjustable aperture allows 1/4" adjustments in all directions and up to 5° of rotation allowing post-installation adjustments to ensure trim-to-trim alignment.
- Injection molded mud ring included with flangeless trims. Ships separately. Installs independently of the mounting frame to reduce cracks in plaster due to vibration.

ELECTRICAL SYSTEM

- Fully serviceable and upgradeable lensed LED light engine
- 70% lumen maintenance at 60,000 hours
- Tested according to LM-79 and LM-80 standards
- Overload and short circuit protected
- 2.5 SDCM; 85 CRI typical, 90+ CRI optional

LISTINGS

- Fixtures are CSA certified to meet US and Canadian standards; wet location, covered ceiling. ENERGY STAR® certified product.

WARRANTY

- 5-year limited warranty. Complete warranty terms located at: www.acuitybrands.com/CustomerResources/Terms_and_conditions.aspx

Note: Actual performance may differ as a result of end user environment and application.

All values are design or typical values, measured under laboratory conditions at 25 °C.

WATTAGE CONSUMPTION MATRIX			
LUMENS	LM ACTUAL	WATTAGE	LUMENS per WATT
750	849	10.3	82.4
1000	1,189	12.8	92.9
1500	1,509	17.3	87.2
2000	2,109	23.5	89.6
2500	2,576	28.9	89.1
3000	3,112	36.9	84.3

A+ Capable Luminaire

This item is an A+ capable luminaire, which has been designed and tested to provide consistent color appearance and out-of-the-box control compatibility with simple commissioning.

- All configurations of this luminaire meet the Acuity Brands' specification for chromatic consistency
- This luminaire is part of an A+ Certified solution for nLight® control networks when ordered with drivers marked by a **shaded background***
- This luminaire is part of an A+ Certified solution for nLight® control networks, providing advanced control functionality at the luminaire level, when selection includes driver and control options marked by a **shaded background***

To learn more about A+, visit www.acuitybrands.com/aplus.

*See ordering tree for details

4" EVO SQUARE

Downlight
Solid-State Lighting



ORDERING INFORMATION



A+ Capable options indicated by this color background.



Design2Ship Quick Ship Program: Options in green text qualify for Design2Ship — 5 business days from order entry to ship. Refer to Design2Ship Brochure for complete program details. **Maximum Order Quantity: 100 units; 50 for Chicago Plenum.**

EXAMPLE: EVO SQ 35/10 4ARFL LSS MVOLT EZ1

Series	Type	Color temperature	Nominal lumen values	Aperture/Trim color	Trim style	Finish	Voltage
EVO	SQ	27/ 2700 K	07 750 lumens	4AR Clear	(blank) Self-flanged	LSS Semi-specular	MVOLT
		30/ 3000 K	10 1000 lumens	4PR Pewter	FL Flangeless	LD Matte-diffuse	120
		35/ 3500 K	15 1500 lumens	4WTR Wheat			277
		40/ 4000 K	20 2000 lumens	4WR ¹ White			347 ²
		50/ 5000 K	25 2500 lumens	4BR ¹ Black			
			30 3000 lumens				

Driver ³	Options
GZ10 0-10V driver dims to 10%	SF Single fuse. Specify 120V or 277V.
GZ1 0-10V driver dims to 1%	TRW⁶ White painted flange
EZ10 eldoLED 0-10V ECOdrive. Linear dimming to 10% min.	TRBL⁷ Black painted flange
EZ1 eldoLED 0-10V ECOdrive. Linear dimming to 1% min.	EL⁸ Emergency battery pack with integral test switch
EZB eldoLED 0-10V SOLOdrive. Logarithmic dimming to <1%.	ELR⁸ Emergency battery pack with remote test switch
EDAB⁴ eldoLED SOLOdrive DALI. Logarithmic dimming to <1%.	ELSD⁹ Emergency battery pack with self-diagnostics, integral test switch. (4500lm max).
EDXB⁴ eldoLED POWERdrive DMX with RDM (remote device management). Square Law dimming to <1%. Includes termination resistor. Refer to DMXR Manual .	ELRSD⁹ Emergency battery pack with self-diagnostics, remote test switch. (4500lm max).
EXA1 XPoint Wireless, eldoLED 0-10V ECOdrive. Linear dimming to 1%. Refer to XPoint tech sheet.	E10WCP⁸ Emergency battery pack, 10W Constant Power, CA Title 20 compliant. (4500lm max).
EXAB XPoint Wireless, eldoLED 0-10V SOLOdrive. Logarithmic dimming to <1%. Refer to XPoint tech sheet.	E10WCPR⁸ Emergency battery pack, 10W Constant Power, CA Title 20 compliant with remote test switch. (4500lm max).
ECOS2^{4,5} Lutron® Hi-Lume® 2-wire forward-phase driver. 120V only. Minimum dimming level 1%. Minimum lumen 1000/Maximum lumen 3000.	NPP16D⁹ nLight® network power/relay pack with 0-10V dimming for non-eldoLED drivers (GZ10, GZ1).
ECOS3⁴ Lutron® Hi-Lume® 3-wire or EcoSystem® dimming driver. Minimum dimming level 1%. Minimum lumen 1000/Maximum lumen 4500.	NPP16DER⁹ nLight® network power/relay pack with 0-10V dimming for non-eldoLED drivers (GZ10, GZ1). ER controls fixtures on emergency circuit.
	NPS80EZ⁹ nLight® dimming pack controls 0-10V eldoLED drivers (EZ_).
	NPS80EZER⁹ nLight® dimming pack controls 0-10V eldoLED drivers (EZ_). ER controls fixtures on emergency circuit.
	N80¹⁰ nLight® Lumen Compensation
	NLTAIR¹² nLight® Air enabled
	NLTAIRER¹² nLight® AIR Dimming Pack Wireless Controls. Controls fixtures on emergency circuit
	BGTD Bodine generator transfer device. Specify 120V or 277V.
	CP¹¹ Chicago plenum. Specify 120V or 277V.
	CR190 High CRI (90+)
	RRL_ RELOC®-ready luminaire connectors enable a simple and consistent factory installed option across all ABL luminaire brands. Refer to RRL for complete nomenclature.

ACCESSORIES

ACCESSORIES order as separate catalog numbers (shipped separately)	
ISD BC	0-10V wallbox dimmer. Refer to ISD-BC .

NOTES

ORDERING NOTES	
1. Not available with finishes.	8. For dimensional changes, refer to TECH-140 . Access above ceiling required. Not available with 347V.
2. Not available with EL or ELR options.	9. For use with generator supply EM power. Will require an emergency hot feed and normal hot feed.
3. Refer to TECH-240 for compatible dimmers.	10. Fixture begins at 80% light level. Must be specified with NPS80EZ or NPS80EZER.
4. Not available with nLight® and XPoint options.	11. ELR not available. CP, ECOS2/ECOS3 with EL-2000 lumen max.
5. Must specify voltage 120V.	12. Not available DALI or DMX drivers. Not available with CP, NPS80EZ, NPS80EZER, NPP16D, NPP16DER or N80 options. Not recommended for metal ceiling installations.
6. Not available with white reflector. Not applicable with FL option.	
7. Not available with black reflector. Not applicable with FL option.	



4" EVO SQUARE

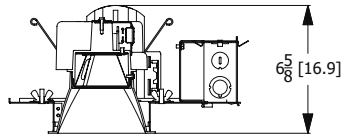
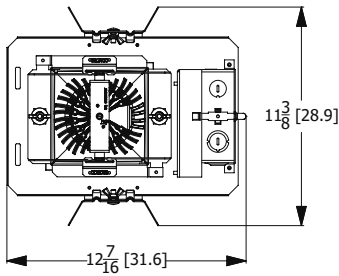
Downlight

Solid-State Lighting



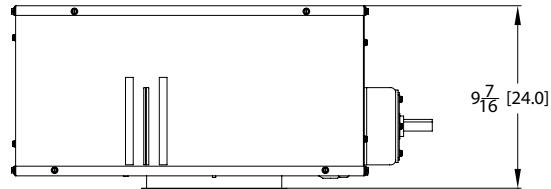
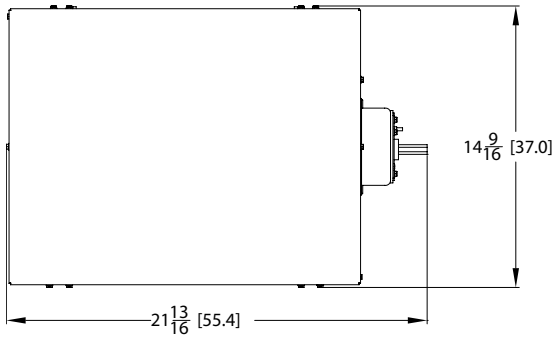
DIMENSIONAL DATA

All dimensions are inches (centimeters) unless otherwise noted.



Aperture: 4-1/2" (11.4)
Ceiling Opening: 5-1/8" (13) self-flanged
5-1/4" (13.3) flangeless
Overlap trim: 5-1/2" (14) self-flanged

DIMENSIONS FOR CHICAGO PLENUM



ELECTRICAL

HOW TO ESTIMATE DELIVERED LUMENS IN EMERGENCY MODE

Use the formula below to estimate the delivered lumens in emergency mode

Delivered Lumens = 1.25 x P x LPW

P = Output power of emergency driver. P = 10W for PS1055CP

LPW = Lumen per watt rating of the luminaire. This information is available on the ABL luminaire spec sheet.

The LPW rating is also available at Designlight Consortium.

NOTES



4" EVO SQUARE

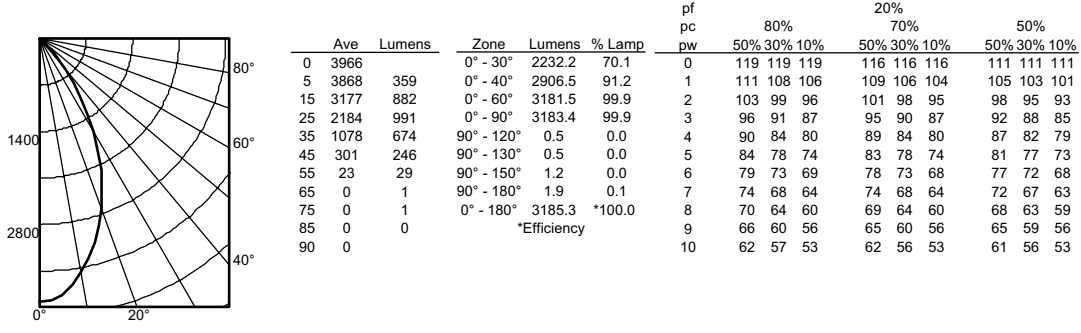
Downlight
Solid-State Lighting



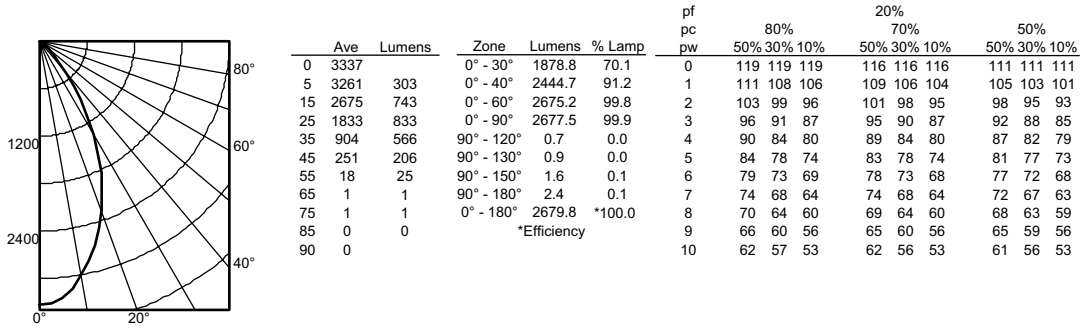
PHOTOMETRY

Distribution Curve Distribution Data Output Data Coefficient of Utilization Illuminance: Single Luminaire 30" Above Floor

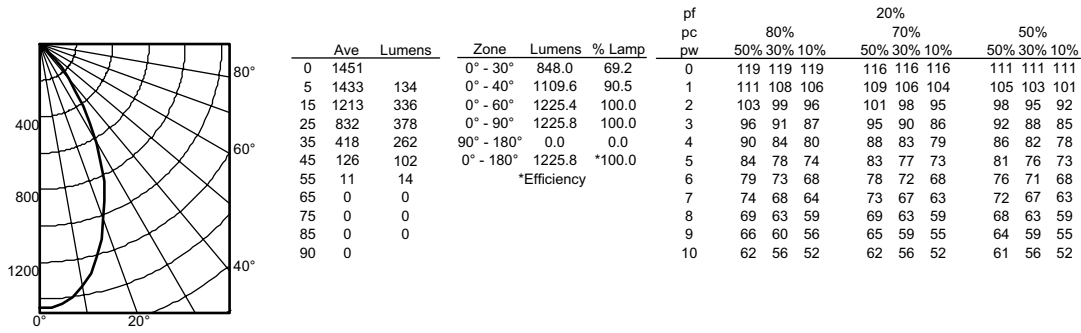
EVO SQ 35/30 4AR LSS INPUT WATTS: 36.9, DELIVERED LUMENS: 3185, LM/W=86.3 , 0.82 S/MH, TEST NO. LTL27797



EVO SQ 35/25 4AR LSS INPUT WATTS: 28.9, DELIVERED LUMENS: 2680, LM/W=92.7, 0.83 S/MH, TEST NO. LTL27796



EVO SQ 35/10 4AR LSS INPUT WATTS: 12.9, DELIVERED LUMENS: 1226, LM/W=95, 0.86 S/MH, TEST NO. LTL27793



LUMEN OUTPUT MULTIPLIER - CRI	
CRI	FACTOR
80 CRI	1
90 CRI	0.79

LUMEN OUTPUT MULTIPLIER - CCT	
CRI	FACTOR
5000 K	1.101
4000 K	1.035
3500 K	1
3000 K	0.973
2700 K	0.938

LUMEN OUTPUT MULTIPLIER - TRIM FINISH						
FINISH	CLEAR (AR)	PEWTER (PR)	WHEAT (WTR)	GOLD (GR)	WHITE (WR/WRAF)	BLACK (BR)
Specular (LS)	1.00	0.88	0.83	0.95	N/A	N/A
Semi-specular (LSS)	0.95	0.84	0.79	0.90	N/A	N/A
Matte-diffuse (LD)	0.85	0.73	0.69	0.80	N/A	N/A
Paint	N/A	N/A	N/A	N/A	0.87	0.73

PHOTOMETRY NOTES

- Tested in accordance with IESNA LM-79-08.
- Tested to current IES and NEMA standards under stabilized laboratory conditions.
- CRI: 85 typical.



4" EVO SQUARE

Downlight

Solid-State Lighting



CONTROLS

Choose Wall Controls.

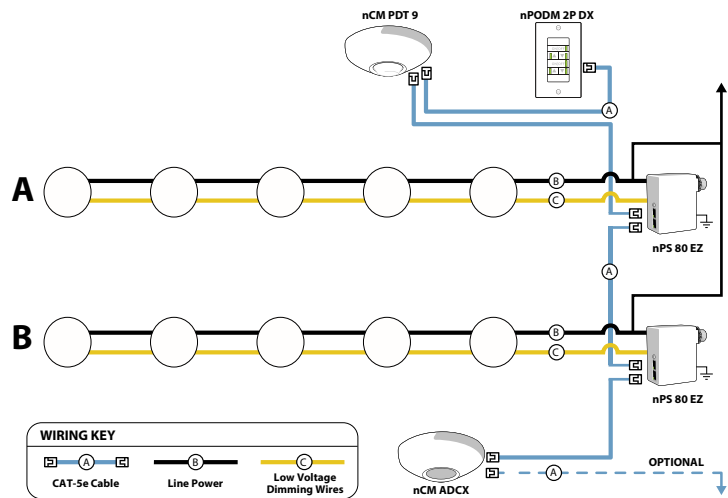
nLIGHT offers multiple styles of wall controls – each with varying features and user experience.



Push-Button WallPod
Traditional tactile buttons and LED user feedback



Graphic WallPod
Full color touch screen provides a sophisticated look and feel



EXAMPLE

Group Fixture Control*

*Application diagram applies for fixtures with eldoLED drivers only.

nPS 80 EZ Dimming/Control Pack (qty 2 required)

nPODM 2P DX Dual On/Off/Dim Push-Button WallPod

nCM ADCX Daylight Sensor with Automatic Dimming Control

nCM PDT 9 Dual Technology Occupancy Sensor

Description: This design provides a dual on/off/dim wall station that enables manual control of the fixtures in Row A and Row B separately. Additionally, a daylight harvesting sensor is provided so the lights in row B can be configured to dim automatically when daylight is available. An occupancy sensor turns off all lights when the space is vacant.

nLight® Control Accessories:

Order as separate catalog number. Visit www.sensorswitch.com/nLight for complete listing of nLight® controls.

WallPod stations	Model number	Occupancy sensors	Model number
On/Off	nPODM [color]	Small motion 360°, ceiling (PIR / dual tech)	nCM 9 / nCM PDT 9
On/Off & Raise/Lower	nPODM DX [color]	Large motion 360°, ceiling (PIR / dual tech)	nCM 10 / nCM PDT 10
Graphic Touchscreen	nPOD GFX [color]	Wide view (PIR / dual tech)	nWV 16 / nWV PDT 16
Photocell controls	Model number	Wall Switch w/ Raise/Lower (PIR / dual tech)	nWSX LV DX / nWSX PDT LV DX
Dimming	nCM ADCX	Cat-5 cables (plenum rated)	Model number
		10', CAT5 10FT	CAT5 10FT J1
		15', CAT5 15FT	CAT5 15FT J1