

Gotham Architectural Downlighting  
LED Downlights



**4" Evo®**  
**Wallwash**

Solid-State Lighting



**OPTICAL SYSTEM**

- Self-flanged semi-specular, matte-diffuse or specular finishing trim
- Patented Bounding Ray™ optical design (U.S. Patent No. 5,800,050)
- 45° cutoff to source and source image
- Anodized kicker reflector
- Polycarbonate lens integral to light engine

**MECHANICAL SYSTEM**

- 16-gauge galvanized steel construction; maximum 1-1/2" ceiling thickness
- Telescopic mounting bars maximum of 32" and minimum of 15", preinstalled, 4" vertical adjustment
- Toolless adjustments post installation
- Junction box capacity: 8 (4 in, 4 out ) 12AWG rated for 90°C
- Light engine and driver accessible through aperture

**ELECTRICAL SYSTEM**

- Fully serviceable and upgradeable lensed LED light engine
- 70% lumen maintenance at 60,000 hours
- Tested according to LM-79 and LM-80 standards
- Overload and short circuit protected
- 2.5 SDCM; 85 CRI typical, 90+ CRI optional

**LISTINGS**

- Fixtures are CSA certified to meet US and Canadian standards; wet location, covered ceiling. ENERGY STAR® certified product.

**WARRANTY**

- 5-year limited warranty. Complete warranty terms located at: [www.acuitybrands.com/CustomerResources/Terms\\_and\\_conditions.aspx](http://www.acuitybrands.com/CustomerResources/Terms_and_conditions.aspx)

**Note:** Actual performance may differ as a result of end user environment and application.

All values are design or typical values, measured under laboratory conditions at 25 °C.

 **A+ Capable Luminaire**

This item is an A+ capable luminaire, which has been designed and tested to provide consistent color appearance and out-of-the-box control compatibility with simple commissioning.

- All configurations of this luminaire meet the Acuity Brands' specification for chromatic consistency
- This luminaire is part of an A+ Certified solution for nLight® control networks when ordered with drivers marked by a shaded background\*
- This luminaire is part of an A+ Certified solution for nLight® control networks, providing advanced control functionality at the luminaire level, when selection includes driver and control options marked by a shaded background\*

To learn more about A+, visit [www.acuitybrands.com/aplus](http://www.acuitybrands.com/aplus).

\*See ordering tree for details



A+ Capable options indicated by this color background.



**Design2Ship Quick Ship Program:** Options in green text qualify for Design2Ship — 5 business days from order entry to ship. Refer to Design2Ship Brochure for complete program details. **Maximum Order Quantity: 100 units; 50 for Chicago Plenum.**

**EXAMPLE: EVO WW 35/10 4AR LSS MVOLT EZ1**

Series	Type	Color temperature	Nominal lumen values	Aperture/Trim color	Finish	Voltage
EVO	WW Wallwash	27/ 2700 K	07 750 lumens	4AR Clear	LSS Semi-specular	MVOLT
	CWW Corner Wallwash	30/ 3000 K	10 1000 lumens	4PR Pewter	LD Matte diffuse	120
	DWW Double Wallwash	35/ 3500 K	15 1500 lumens	4WTR Wheat	LS Specular	277
		40/ 4000 K	20 2000 lumens	4GR Gold		347 <sup>2</sup>
		40/ 4000 K	25 2500 lumens	4WR <sup>1</sup> White		
		50/ 5000 K	30 3000 lumens	4BR <sup>1</sup> Black		

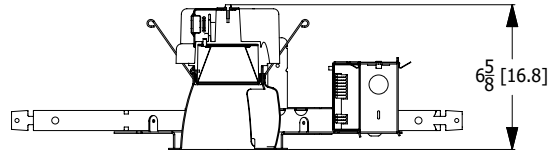
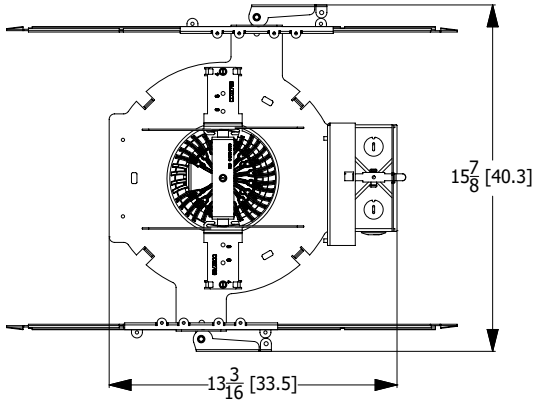
Driver <sup>3</sup>	Options
GZ10 0-10V driver dims to 10%	SF Single fuse. Specify 120V or 277V.
GZ1 0-10V driver dims to 1%	TRW <sup>6</sup> White painted flange
EZ10 eldoLED 0-10V ECOdrive. Linear dimming to 10% min.	TRBL <sup>7</sup> Black painted flange
EZ1 eldoLED 0-10V ECOdrive. Linear dimming to 1% min.	EL <sup>8</sup> Emergency battery pack with integral test switch
EZB eldoLED 0-10V SOLOdrive. Logarithmic dimming to <1%.	ELR <sup>9</sup> Emergency battery pack with remote test switch
EDAB eldoLED SOLOdrive DALI. Logarithmic dimming to <1%.	ELRSD <sup>8</sup> Emergency battery pack with self-diagnostics, remote test switch
EDXB eldoLED POWERdrive DMX with RDM (remote device management). Square Law dimming to <1%. Includes termination resistor. Refer to <a href="#">DMXR Manual</a> .	E10WCP <sup>8</sup> Emergency battery pack, 10W Constant Power, CA Title 20 compliant with integral test switch
EXA1 XPoint Wireless, eldoLED 0-10V ECOdrive. Linear dimming to 1%. Refer to XPoint tech sheet.	E10WCPR <sup>9</sup> Emergency battery pack, 10W Constant Power, CA Title 20 compliant with remote test switch
EXAB XPoint Wireless, eldoLED 0-10V SOLOdrive. Logarithmic dimming to <1%. Refer to XPoint tech sheet.	NPP16D <sup>5,9</sup> nLight <sup>®</sup> network power/relay pack with 0-10V dimming for non-eldoLED drivers (GZ10, GZ1).
ECOS2 <sup>4,5</sup> Lutron <sup>®</sup> Hi-Lume <sup>®</sup> 2-wire forward-phase driver. 120V only. Minimum dimming level 1%. Minimum lumen 1000/Maximum lumen 3000.	NPP16DER <sup>5,9</sup> nLight <sup>®</sup> network power/relay pack with 0-10V dimming for non-eldoLED drivers (GZ10, GZ1). ER controls fixtures on emergency circuit.
ECOS3 <sup>4</sup> Lutron <sup>®</sup> Hi-Lume <sup>®</sup> 3-wire or EcoSystem <sup>®</sup> dimming driver. Minimum dimming level 1%. Minimum lumen 1000/Maximum lumen 4500.	NPS80EZ <sup>9</sup> nLight <sup>®</sup> dimming pack controls 0-10V eldoLED drivers.
	NPS80EZER <sup>9</sup> nLight <sup>®</sup> dimming pack controls 0-10V eldoLED drivers. ER controls fixtures on emergency circuit.
	BGTD Bodine generator transfer device. Specify 120V or 277V.
	CRI90 High CRI (90+)
	CP <sup>10</sup> Chicago plenum. Specify 120V or 277V.
	RRL RELOC <sup>®</sup> -ready luminaire connectors enable a simple and consistent factory installed option across all ABL luminaire brands. Refer to <a href="#">RRL</a> for complete nomenclature.
	NLTAIR2 <sup>11</sup> nLight <sup>®</sup> Air enabled
	NLTAIRER2 <sup>11</sup> nLight <sup>®</sup> AIR Dimming Pack Wireless Controls. Controls fixtures on emergency circuit

ACCESSORIES order as separate catalog numbers (shipped separately)	
CTA4-8 YK	Ceiling thickness adapter (extends mounting frame to accommodate ceiling thickness up to 5". Adds 1" to fixture height).
ISD BC	0-10V wallbox dimmer. Refer to <a href="#">ISD-BC</a> .

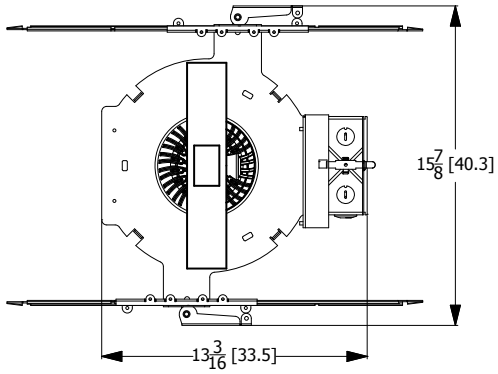
ORDERING NOTES	
1. Not available with finishes.	8. For dimensional changes, refer to <a href="#">TECH-140</a> . Access above ceiling required. Not available with 347V.
2. Not available with EL or ELR options.	9. Specify voltage. For use with generator supply EM power. Will require an emergency hot feed and normal hot feed.
3. Refer to <a href="#">TECH-240</a> for compatible dimmers.	10. ELR not available. CP, ECOS2/ECOS3 with EL-2000 lumen max.
4. Not available with nLight <sup>®</sup> and X Point options.	11. Not available DALI or DMX drivers. Not available with CP, NPS80EZ, NPS80EZER, NPP16D, NPP16DER or N80 options. Not recommended for metal ceiling installations.
5. Must specify voltage 120V.	
6. Not available with white reflector.	
7. Not available with black reflector.	

DIMENSIONAL DATA

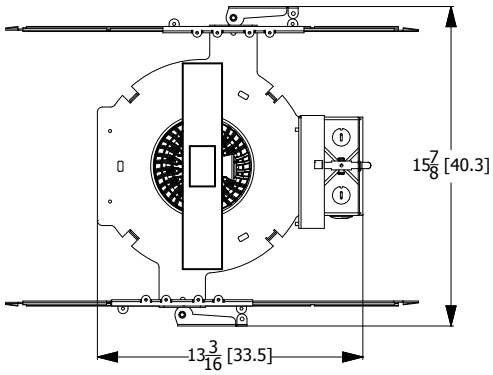
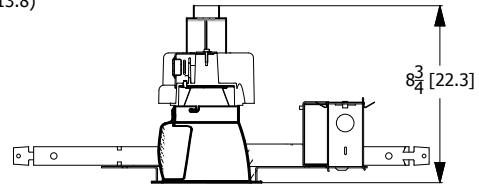
All dimensions are inches (centimeters) unless otherwise noted.



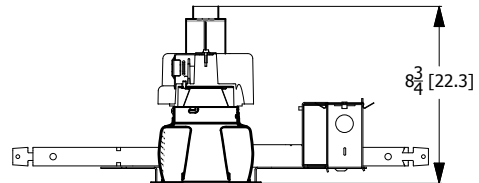
Aperture: 4-5/16 (11)  
 Ceiling Opening: 5-1/8 (13)  
 Overlap Trim: 5-7/16 (13.8)



Aperture: 4-5/16 (11)  
 Ceiling Opening: 5-1/8 (13)  
 Overlap Trim: 5-7/16 (13.8)



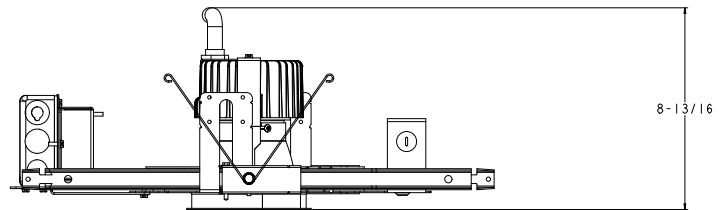
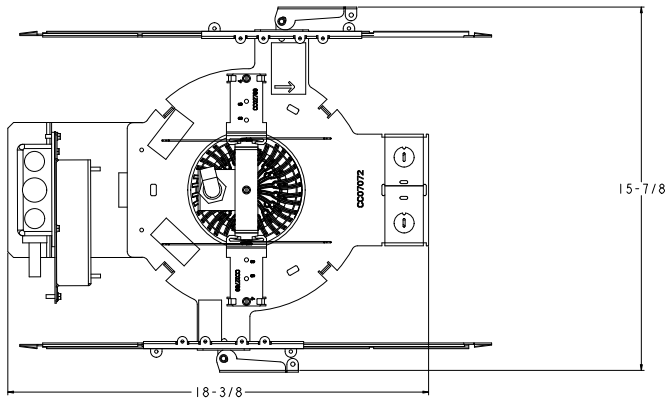
Aperture: 4-5/16 (11)  
 Ceiling Opening: 5-1/8 (13)  
 Overlap Trim: 5-7/16 (13.8)



NOTES

DIMENSIONAL DATA

**DIMENSIONS FOR CHICAGO PLENUM**



ELECTRICAL

**HOW TO ESTIMATE DELIVERED LUMENS IN EMERGENCY MODE**

Use the formula below to estimate the delivered lumens in emergency mode

**Delivered Lumens = 1.25 x P x LPW**

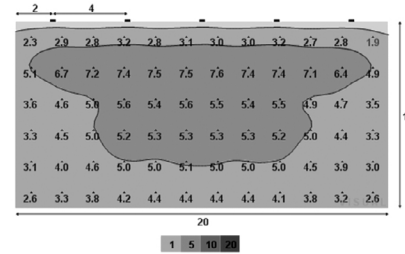
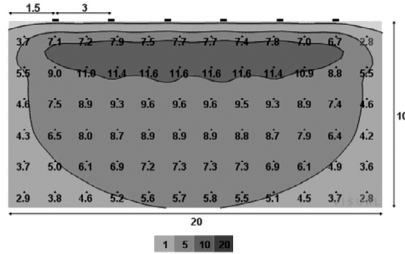
P = Output power of emergency driver. P = 10W for PS1055CP

LPW = Lumen per watt rating of the luminaire. This information is available on the ABL luminaire spec sheet.

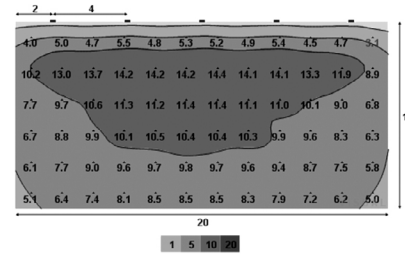
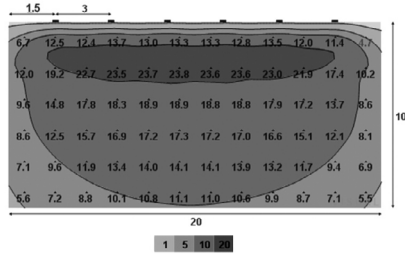
The LPW rating is also available at [Designlight Consortium](http://Designlight Consortium).

Wallwash Spacing: 3' from wall – 3' on center	4' from wall – 4' on center
---	-----------------------------

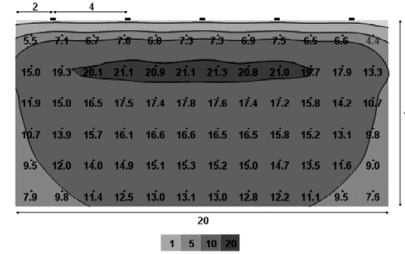
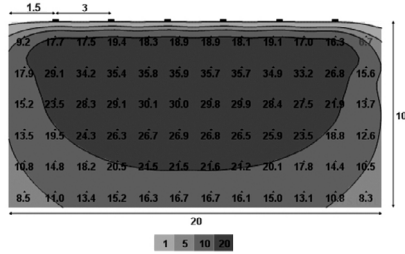
<b>EVO WW 35/10 4AR LSS</b>	INPUT WATTS: 12.8, DELIVERED LUMENS: 1136,	LM/W= 88.8,	TEST NO. LTL27804 TEST NO. LTL27804
-----------------------------	--	-------------	-------------------------------------



<b>EVO WW 35/15 4AR</b>	INPUT WATTS: 26.3, DELIVERED LUMENS: 1368.2, LM/W=52.0, TEST NO. LTL21212
-------------------------	---



<b>EVO WW 35/20 4AR</b>	INPUT WATTS: 29.0, DELIVERED LUMENS: 1682.7, LM/W=58.0, TEST NO. LTL21152
-------------------------	---



Lumen Output Multiplier Per CRI, Color Temperature & Trim Finish

CRI	Factor
80 CRI	1
90 CRI	0.79
CCT	Factor
5000K	1.101
4000K	1.035
3500K	1
3000K	0.973
2700K	0.938

FINISH	Clear (AR)	Pewter (PR)	Wheat (WTR)	Gold (GR)	White (WR/WRAMF)	Black (BR)
Specular (LS)	1.00	0.88	0.83	0.95	N/A	N/A
Semi-Specular (LSS)	0.95	0.84	0.79	0.90	N/A	N/A
Matte Diffuse (LD)	0.85	0.73	0.69	0.80	N/A	N/A
Paint	N/A	N/A	N/A	N/A	0.87	0.73

PHOTOMETRY NOTES

- Tested in accordance with IESNA LM-79-08.
- Tested to current IES and NEMA standards under stabilized laboratory conditions.
- CRI: 85 typical.

**Choose Wall Controls.**

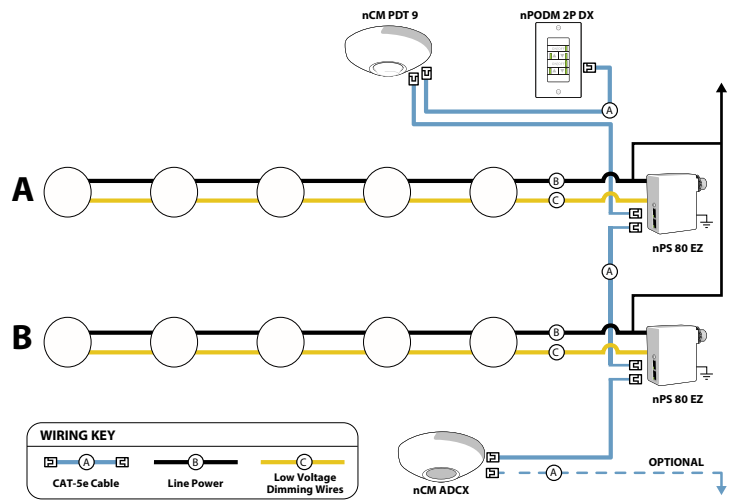
nLIGHT offers multiple styles of wall controls – each with varying features and user experience.



**Push-Button WallPod**  
Traditional tactile buttons and LED user feedback



**Graphic WallPod**  
Full color touch screen provides a sophisticated look and feel



**EXAMPLE**

Group Fixture Control\*

\*Application diagram applies for fixtures with eldoLED drivers only.

- nPS 80 EZ Dimming/Control Pack (qty 2 required)
- nPODM 2P DX Dual On/Off/Dim Push-Button WallPod
- nCM ADCX Daylight Sensor with Automatic Dimming Control
- nCM PDT 9 Dual Technology Occupancy Sensor

**Description:** This design provides a dual on/off/dim wall station that enables manual control of the fixtures in Row A and Row B separately. Additionally, a daylight harvesting sensor is provided so the lights in row B can be configured to dim automatically when daylight is available. An occupancy sensor turns off all lights when the space is vacant.

nLight® Control Accessories:			
Order as separate catalog number. Visit <a href="http://www.sensorswitch.com/nLight">www.sensorswitch.com/nLight</a> for complete listing of nLight® controls.			
<b>WallPod stations</b>	<b>Model number</b>	<b>Occupancy sensors</b>	<b>Model number</b>
On/Off	nPODM [color]	Small motion 360°, ceiling (PIR / dual tech)	nCM 9 / nCM PDT 9
On/Off & Raise/Lower	nPODM DX [color]	Large motion 360°, ceiling (PIR / dual tech)	nCM 10 / nCM PDT 10
Graphic Touchscreen	nPOD GFX [color]	Wide view (PIR / dual tech)	nWV 16 / nWV PDT 16
<b>Photocell controls</b>	<b>Model number</b>	Wall Switch w/ Raise/Lower (PIR / dual tech)	nWSX LV DX / nWSX PDT LV DX
Dimming	nCM ADCX	<b>Cat-5 cables (plenum rated)</b>	<b>Model number</b>
		10', CAT5 10FT	CAT5 10FT J1
		15', CAT5 15FT	CAT5 15FT J1