

OVERVIEW

General Illumination Pendant Cord Cylinder

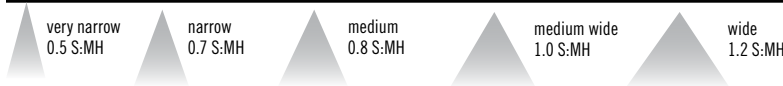
6"

Feature Set

- Batwing distribution with feathered edges provides even illumination on horizontal and vertical surfaces
- Bounding Ray™ optical design
- 45° cutoff to source and source image
- Fully serviceable lensed LED light engine
- 70% lumen maintenance at 60,000 hours
- 2.5 MacAdam Ellipse; 85 CRI typical, 90+ CRI optional
- Fixtures are damp location standard; wet location option (WL)
- Have the cleanest of installations with a 0.29" diameter color coordinated cord. Multi-conductor ultra-pliable cord with embedded aircraft cable ensures no chance of kinks, crooked mounting, or need to tether power cord to suspension cable (patent pending).
- Multiple recessed or surface j-box mounting configurations available with cords
- 20 standard colors in textured and gloss finish; custom or RAL colors also available
- UGR of zero for fixtures aimed at nadir with a cut-off equal to or less than 60deg per CIE 117-1995 Discomfort Glare in Interior Lighting. [UGR FAQ](#)



Distribution



Superior Performance

| Nominal Lumens | 250 | 500 | 750 | 1000 | 1500 | 2000 | 2500 | 3000 | 3500 | 4000 | 4500 | 5000 | 6000 | 8000 | 10,000 | 12,000 |
|------------------|------|------|------|-------|-------|-------|-------|-------|-------|-------|------|-------|-------|-------|--------|--------|
| Delivered Lumens | 297 | 519 | 776 | 994 | 1471 | 2006 | 2537 | 3077 | 3542 | 4027 | 4533 | 5256 | 6371 | 8247 | 10637 | 12332 |
| Wattage | 3.4 | 6.2 | 8.2 | 9.6 | 14.7 | 19.7 | 24.7 | 29.5 | 33.8 | 39.0 | 47.3 | 48.7 | 57.6 | 74.9 | 97.1 | 115 |
| Lumens per Watt | 87.4 | 83.7 | 94.6 | 103.5 | 100.1 | 101.8 | 102.7 | 104.3 | 104.8 | 103.3 | 95.8 | 107.9 | 110.6 | 110.1 | 109.5 | 107.2 |

Coordinated Apertures | Multiple Layers of Light



General Illumination Layer | EVO



High Center Beam Layer | Incito



EVO + Incito — Multiple Layers of Light

Core



Healthcare



Special Applications



COMPLEMENTARY PRODUCTS

ORDERING INFORMATION

Luminaire Type:

Catalog Number:

EXAMPLE: EVO6CC 35/15 AR MWD LSS MVOLT EZ1 JBXCC CCAN C120 DWHG

| Series | Color Temperature | Lumens | Trim Color | Reflector Finish | Distribution | Voltage |
|---|--------------------------------|----------------|--|-------------------|----------------------------|-----------------------|
| EVO6CC EVO 6in Pendant Cord Round Cylinder Open Downlight | 27/ 2700 K | 02 250 lumens | AR Clear | LSS Semi-specular | VND Very narrow (0.5 s/mh) | MVOLT 120V - 277V |
| | 30/ 3000 K | 05 500 lumens | PR Pewter | LD Matte diffuse | ND Narrow (0.7 s/mh) | 120 120V |
| | 35/ 3500 K | 07 750 lumens | WTR Wheat | LS Specular | MD Medium (0.9 s/mh) | 277 277V |
| | 40/ 4000 K | 10 1000 lumens | GR Gold | | MWD Medium wide (1.0 s/mh) | 347 ⁴ 347V |
| | 50/ 5000 K | 15 1500 lumens | WR ² White painted | | WD Wide (1.2 s/mh) | |
| | | 20 2000 lumens | BR ² Black | | | |
| | | 25 2500 lumens | WRAMF ² White Anti-microbial | | | |
| | | 30 3000 lumens | BZR ² Dark Bronze painted | | | |
| | | 35 3500 lumens | TRALTB ^{2,3} Trim RAL # TBD (TBD for pricing only) | | | |
| | | 40 4000 lumens | TCPC ^{2,3} Trim Custom Paint Color TBD (TBD for pricing only) | | | |
| | | 45 4500 lumens | | | | |
| | | 50 5000 lumens | | | | |
| | | 60 6000 lumens | | | | |
| | 80 8000 lumens | | | | | |
| | 100 ¹ 10,000 lumens | | | | | |
| | 120 ¹ 12,000 lumens | | | | | |

| Driver ⁵ | Mounting | Canopy Type | Cord Length ^{12,13} |
|--|--|--|------------------------------|
| GZ10 0-10V driver dims to 10% | JBX Integral driver, Recessed or Surface J-box | CCAN 5° Cord canopy with "hang straight" swivel | C120 10' Mounting Cord |
| GZ1 0-10V driver dims to 1% | | | C180 15' Mounting Cord |
| EZ10 eldoLED 0-10V ECOdrive. Linear dimming to 10% min. | JBXCC Integral driver, Surface J-box with Conduit Covers | CCAN45 ¹¹ 45° Cord canopy with "hang straight" swivel | C240 20' Mounting Cord |
| EZ1 eldoLED 0-10V ECOdrive. Linear dimming to 1% min. | | | |
| EZB eldoLED 0-10V SOLOdrive. Logarithmic dimming to <1%. | SGB ⁹ Surface gear box (for driver at ceiling), Recessed or surface J-box (not wall or surface ceiling) | | |
| EDAB ⁸ eldoLED SOLOdrive DALI. Logarithmic dimming to <1%. | | | |
| EDXB ^{6,7,8} eldoLED POWERdrive DMX with RDM (remote device management). Square Law dimming to <1%. Min: 1000LM; Max: 8000LM. Not available with Emergency Options. | SGBCC ⁹ Surface gear box (for driver at ceiling), surface J-box with Conduit Covers (not wall or surface ceiling) | | |
| ECOD ⁶ Lutron® EcoSystem® digital Hi-Lume 1% soft-on, fade to black. Max: 8000LM except 4500LM. | RGH ¹⁰ Recessed Gear Housing | | |
| ELV ⁶ Electronic line voltage/Forward phase/Triac dimming. 120V only. | | | |

| Emergency Option | Control Interface ¹⁴ | Options | Architectural Colors - Powder Paint ³ |
|--|---|--|--|
| (blank) No emergency options | (blank) No controls | 90CRI High CRI (90+) | DWHAMF Gloss White with Anti-microbial finish |
| E7WCP IOTA® 7W Constant Power emergency battery (sidecar). Only for use with 750-8000 lumen options. | NLT nLight® dimming pack. Specify 120V or 277V. | CP ¹⁶ Chicago Plenum. Specify 120V or 277V (requires RGH) | DBB Gloss Dark Bronze |
| E10WCP IOTA® 10W Constant Power, CA Title 20 compliant emergency battery pack with integral test switch. Only for use with 1000-8000 lumen options. (sidecar or RGH) | NLTER ¹⁵ nLight® dimming pack for fixtures on emergency circuit. Specify 120V or 277V. | HAO ¹⁷ High Ambient Option (40°C) | DBL Matte Black |
| E10WCPR IOTA® 10W Constant Power, CA Title 20 compliant emergency battery pack with remote test switch. Only for use with 1000-8000 lumen options. (requires RGH) | NLTAIR2 nLight® AIR dimming pack. Specify 120V or 277V. | N80 ¹⁸ nLight Lumen Compensation | DWH Gloss White |
| E15WCP IOTA® 15W Constant Power, CA Title 20 compliant emergency battery. Only for use with 1500-8000 lumen options. (sidecar) | NLTAIRER2 ¹⁵ nLight® AIR dimming pack for fixtures on emergency circuit. Specify 120V or 277V. | SF Single fuse. Specify 120V or 277V. | DMB Matte Medium Bronze |
| GTD IOTA® Generator Transfer Device. Specify 120V or 277V (requires RGH) | | WL ¹⁹ Wet Location | DNA Gloss Natural Aluminum |
| | | | DSS Gloss Sandstone |
| | | | DGC Gloss Charcoal Grey |
| | | | DTG Gloss Tennis Green |
| | | | DBR Gloss Bright Red |
| | | | DSB Gloss Steel Blue |
| | | | DDBT Textured Dark Bronze |
| | | | DBLB Textured Black |
| | | | DWHG Textured White |
| | | | DBNH Textured Bronze |
| | | | DNAT Textured Natural Aluminum |
| | | | DSST Textured Sandstone |
| | | | DSPD Textured Dark Grey |
| | | | DSPE Textured Green |
| | | | DSPH Textured Light Red |
| | | | RALTB ³ Cylinder RAL # TBD (TBD for pricing only) |
| | | | CPC Cylinder Custom Paint Color TBD (TBD for pricing only) |

ACCESSORIES — order as separate catalog numbers (shipped separately)

| | |
|--------------------|--|
| GCOLORS KIT | Architectural colors chip kit, consisting of powder-coat and plated finishes |
| CYLJBXADPT 4SQ2OCT | 4in Square J-box to 4in Octagonal J-box adaptor. Replace ___ with Architectural Color or PRM for primed ready for field painting |

ORDERING NOTES

1. 10,000 & 12,000 lumens not available with 347, EDXB, Lutron, SGB, SGBCC, RGH, Emergency Options, HAO, WL & CP.
2. Not Available with Reflector Finishes.
3. Replace with applicable RAL number and finish when ready to order. See [RAL BROCHURE](#) for available color options. For details on all Acuity Architectural paint colors, RAL and Custom colors, please see [Architectural colors](#).
4. Integral 347V drivers available with GZ10 and GZ1 driver options only - 3500LM max. All other drivers (and GZ1 & GZ10 above 3000LM) will come with a step-down transformer - factory installed with RGH mounting, and field installed with JBX and JBXCC mounting (remote mount location and access to device required). Not available with SGB, SGBCC or Emergency Options. Max 5000LM.
5. Refer to [Tech 240](#) for compatible dimmers.
6. Not Available with Control Interfaces.
7. Requires SGB or SGBCC mounting option.
8. Includes terminator resistor. Not available with 250-750 lumen packages.
9. Only available with DMX driver (EDXB).
10. Not available with E7W or E15WCP Emergency Options.
11. Not available with SGB or SGBCC; those mountings require a flat ceiling.
12. Cord can be cut in field to achieve non-uniform lengths (i.e. for a field cut 8' length, order 10' cord). Cord length is nominal: actual length is about 2" shorter.
13. Cord color is determined by cylinder color: DWHG, DWH, and DWHAMF will have white cord; DBL and DBLB will have black cord; all others will have gray cord.
14. Factory installed with RGH option otherwise field installed. Access required to location of remote mounted device.
15. ER for use as UL924 Emergency Operation via power sense lead. Will require an emergency hot feed and normal hot feed. EM for use as UL924 Emergency Operation via power interrupt detection.
16. CP not valid with NLTAIR2, NLTAIRER2 or Emergency Options.
17. Only available up to 3500 lumens; not available with wet location.
18. Fixture begins at 80% light level. Must be specified with NLT or NLTER. Only available with EZ10 and EZ1 drivers.
19. Not available with JBXCC, SGB, SGBCC or Sidecar Emergency Options. Max 3500LM.

Optical Assembly

Fully serviceable and upgradeable lensed LED light engine suitable for field maintenance or service from below the ceiling. Optical design is a Bounding Ray™ design with 45° cutoff to source and source image. Top down flash characteristic for superior glare control.

Electrical

The luminaire shall operate from a 50 or 60 Hz ±3 Hz AC line over a voltage ranging from 120 VAC to 277 VAC. Support 347V via remote-mounted stepdown transformer. The fluctuations of line voltage shall have no visible effect on the luminous output.

The luminaire shall have a power factor of 90% or greater at all standard operating voltages and full luminaire output.

Sound Rated A+. Driver shall be >80% efficient at full load across all input voltages.

Input wires shall be 18AWG, 300V minimum solid copper.

All drivers are ROHS compliant.

Controls

Luminaire shall be equipped with interface for nLight wired or nLight AIR networks with integral power supply as per specification.

Emergency

Luminaires supplied with a battery pack comply with NFPA 101 (Life Safety code) and deliver constant light output throughout the 90 minutes of code required emergency operation period when there is a normal AC power loss.

Luminaires equipped with a generator transfer device work in conjunction with an auxiliary generator or a central inverter system to power fixtures for safe egress lighting.

Dimming

The luminaire shall be capable of continuous dimming without perceivable stroboscopic flicker as measured by flicker index (ANSI/IES RP-16-10) over a range of 100 – 10%, 100 – 1.0% or 100 – 0.1% of rated lumen output with a smooth shut off function to step to 0%.

eldoLED LED drivers shall conform to IEEE P1789 standards. Alternatively, manufacturers must demonstrate conformance with product literature and testing which demonstrates this performance. Systems that do not meet IEEE P1789 will not be considered.

Driver is inaudible in 24dB environment, and stable when input voltage conditions fluctuate over what is typically experienced in a commercial environment.

Construction

Heaving-gauge aluminum construction.

Extruded body with flangeless reflector allows flow-through passive thermal management.

Pendant cord mount for installation to 4" recessed or surface octagonal junction box.

Optional field configurable conduit covers available. Conduit covers match cylinder in finish and diameter.

Surface gear box available for driver at ceiling installation.

Recessed gear box available for driver above ceiling, nLight, CP, GTD or battery pack options.

Listings

Fixtures are CSA Certified to meet US and Canadian Standards: All fixtures manufactured in strict accordance with the appropriate and current requirements of the "Standards for Safety" to UL, damp location standard; wet location options available open under covered ceiling (WL).

Photometrics

LEDs tested to LM-80 standards. Measured by IESNA Standard LM-79-08 in an accredited lab. Lumen output shall not decrease by more than 30% over the minimum operational life of 60,000 hours.

Color appearance from luminaire to luminaire of the same type and in all configurations, shall be consistent both initially and at 60,000 hours and operate within a tolerance of <2.5 MacAdam ellipse as defined by the center of the quadrangles defined in ANSI C78.377-2015.

Government Procurement

BAA - Buy America(n) Act: Product qualifies as a domestic end product under the Buy American Act as implemented in the FAR and DFARS. Product also qualifies as manufactured in the United States under DOT Buy America regulations

BABA - Build America Buy America: Product qualifies as produced in the United States under the definitions of the Build America, Buy America Act Please refer to www.acuitybrands.com/buy-american for additional information.

Warranty

5-year limited warranty. This is the only warranty provided and no other statements in this specification sheet create any warranty of any kind. All other express and implied warranties are disclaimed. Complete warranty terms located at: www.acuitybrands.com/support/warranty/terms-and-conditions

Note:

Actual performance may differ as a result of end user environment and application.

All values are design or typical values, measured under laboratory conditions at 25 °C.

A+ Capable Luminaire

This item is an A+ capable luminaire, which has been designed and tested to provided consistent color appearance and out-of-the-box control capability with simple commissioning when used with Acuity Brands controls products.

All configurations of this luminaire are calibrated and tested meet the Acuity Brands' specification for chromatic consistency - including color rendering, color fidelity and color temperature tolerance around standard CIE chromaticity coordinates.

To learn more about A+, visit www.acuitybrands.com/aplus.

Tables of Use

| EVO - eldoLED Driver Default Dimming Curve | | | |
|--|-------------|------------------|--------------------|
| Nomenclature | Min Dimming | Driver Dim Curve | Control Dim Curve |
| EZ10 | 10% | Linear | Linear/Logarithmic |
| EZ1 | 1% | Linear | Linear/Logarithmic |
| EZB | <1% | Logarithmic | Linear |
| EDAB | <1% | Logarithmic* | Linear |
| EDXB | <1% | Square | Linear |

*Changable through DALI controller

| Driver | | Control Provided (note: 347V/UVOLT versions provided with 347 option selected) | | | |
|--------------|--------------------------|---|----------------|----------------|-------------------|
| Nomenclature | Description | NLT | NLTER | NLTAIR2 | NLTAIRER2 |
| GZ10 | 0-10V driver dims to 10% | nPP16 D EFP | nPP16 D ER EFP | RPP20 D 24V G2 | RPP20 D 24V ER G2 |
| GZ1 | 0-10V driver dims to 1% | nPP16 D EFP | nPP16 D ER EFP | RPP20 D 24V G2 | RPP20 D 24V ER G2 |
| EZ10 | eldoLED 0-10V ECOdrive | nPS 80 EZ | nPS 80 EZ ER | RPP20 D 24V G2 | RPP20 D 24V ER G2 |
| EZ1 | eldoLED 0-10V ECOdrive | nPS 80 EZ | nPS 80 EZ ER | RPP20 D 24V G2 | RPP20 D 24V ER G2 |
| EZB | eldoLED 0-10V SOL0drive | nPS 80 EZ | nPS 80 EZ ER | RPP20 D 24V G2 | RPP20 D 24V ER G2 |

| J-box Compatibility Matrix | | Cylinder Configurations | | | | | |
|-------------------------------|-----------------------------|------------------------------------|------------------------------------|--|------------------------------------|--|------------------------------|
| | | 6" Pend CYL | 6" Pend CYL Surf Gear Box | 6" Pend CYL Surf Gear Box w/ Conduit Cover | 6" Pend CYL DMX Surf Gear Box | 6" Pend CYL DMX Surf Gear Box w/ Conduit Cover | 6" Pend CYL w/ Conduit Cover |
| Recommended J-box (by others) | 4" Octagonal 4x4x1.5 deep" | ✓ | ✓ | ✓ | ✓ | ✓ | ✓ |
| | 4" Octagonal 4x4x2.125 deep | ✓ | ✓ | ✗ | ✓ | ✗ | ✗ |
| | 4" Square 4x4x1.5 deep | ✓ *with adaptor plate accessory | ✓ *with adaptor plate accessory | ✗ | ✓ *with adaptor plate accessory | ✗ | ✗ |

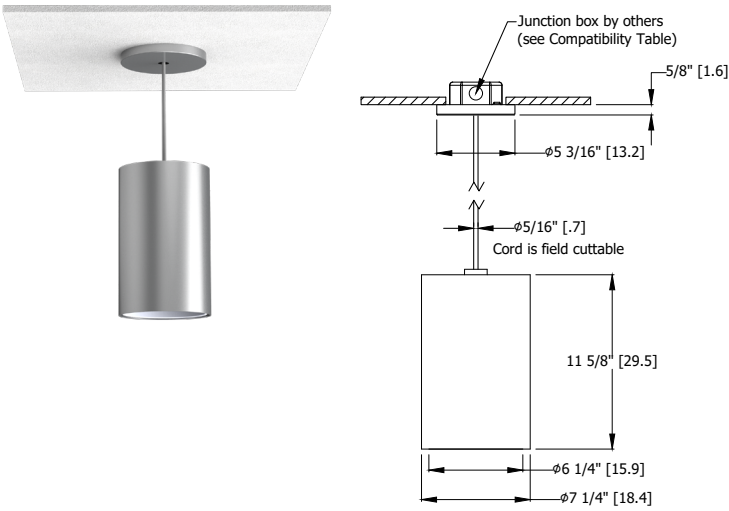
Standard Architectural Color Options for Cylinder Bodies



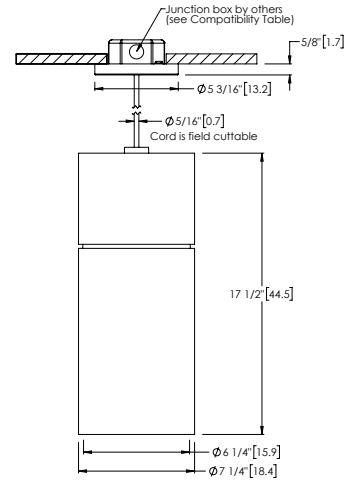
NOTE: These colors were carefully reproduced to give as true a depiction as possible of finished product color. Some colors, however, may vary slightly from actual appearance due to display/printing variations and limitations. Please order the GCOLORS KIT listed in the 'Accessories' section of the spec sheet for an accurate paint chip sample.

DIMENSIONAL DATA

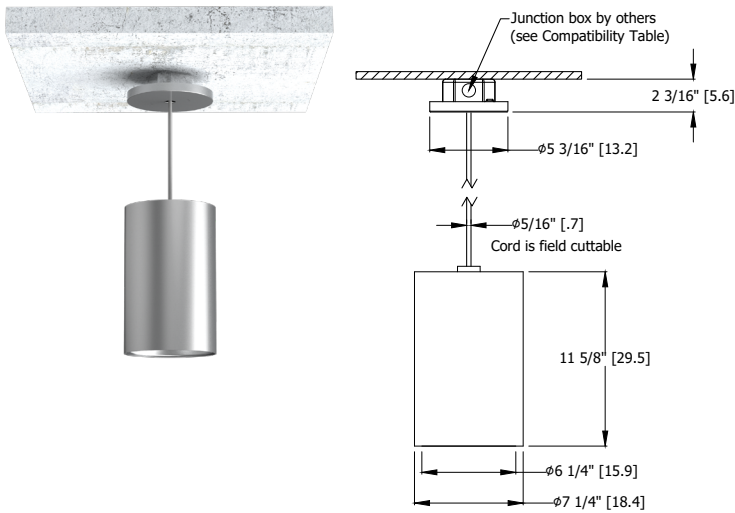
JBX Recessed J-Box



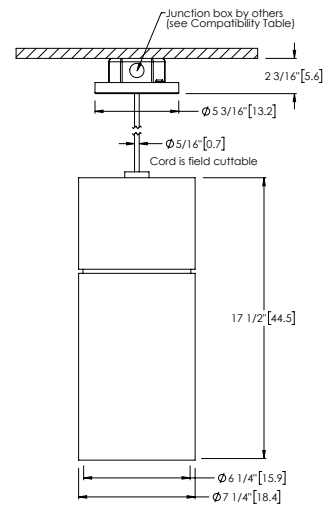
10,000LM- 12,000LM JBX Recessed



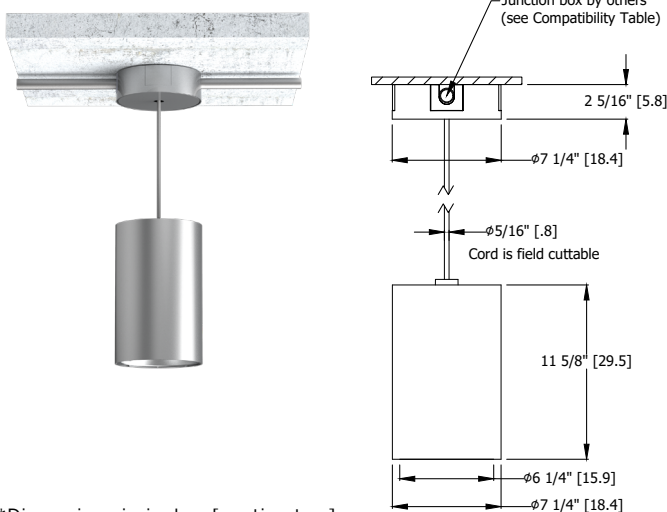
JBX Surface J-Box



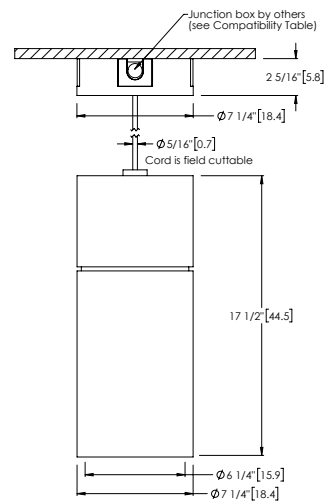
10,000LM- 12,000LM JBX Surface



JBXCC Surface J-Box with Conduit Covers



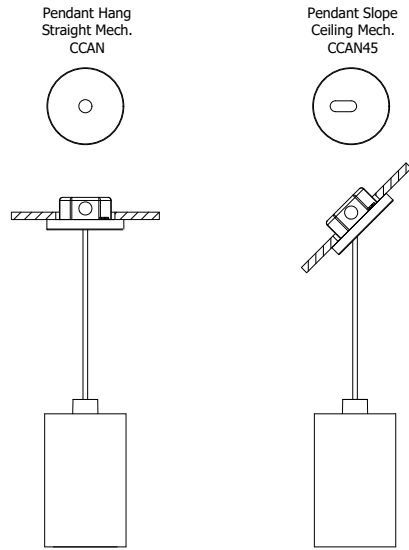
10,000LM- 12,000LM JBXCC



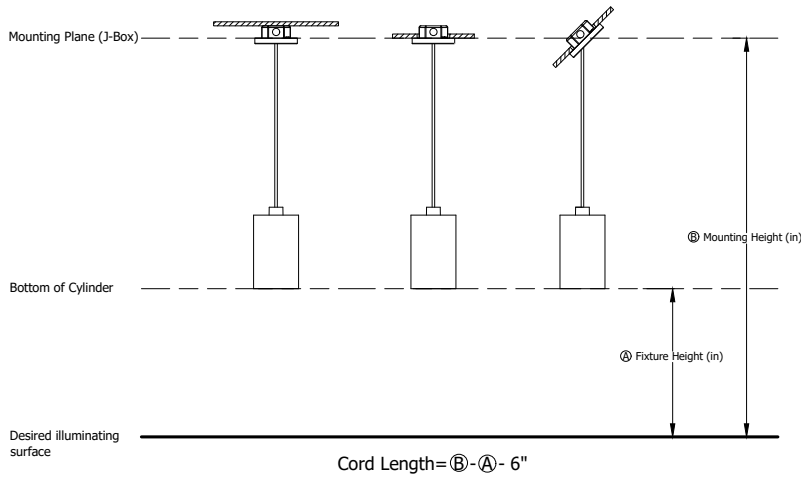
*Dimensions in inches [centimeters]

DIMENSIONAL DATA

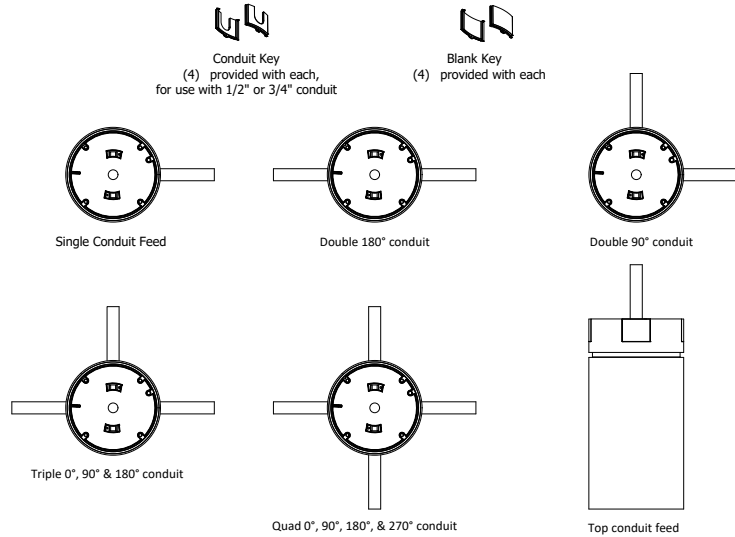
Canopy Covers for Flat or Sloped Ceilings



Cutting Formulas for JBX

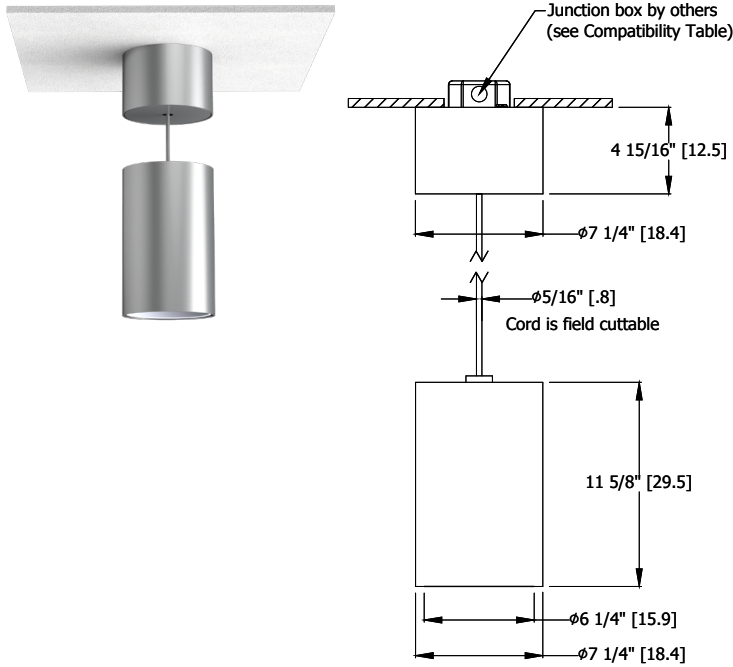


Conduit Feed Examples and Keys

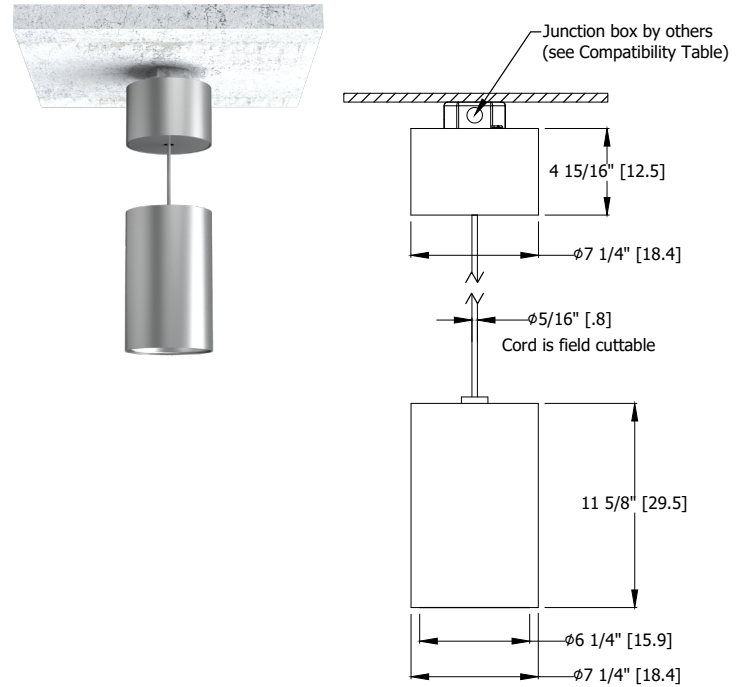


DIMENSIONAL DATA

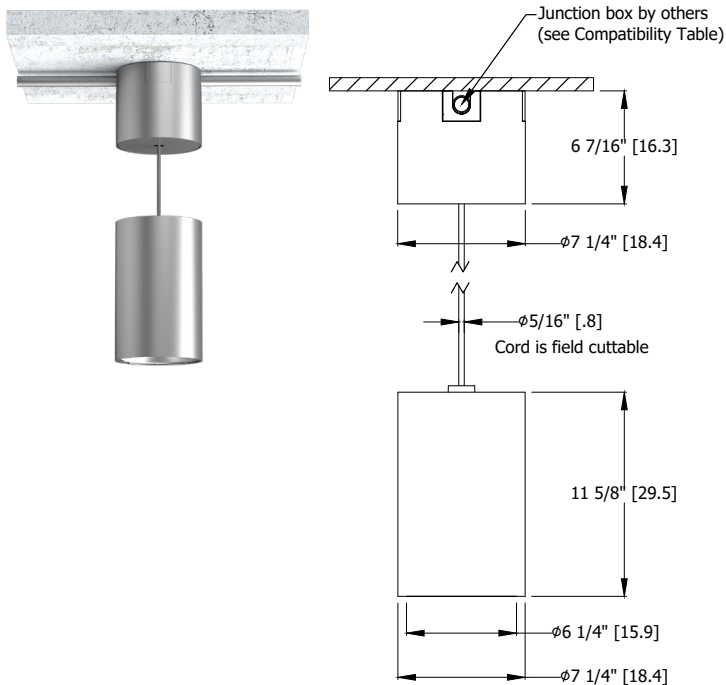
SGB Surface Gear Box for EDXB Recessed



SGB Surface Gear Box for EDXB Surface

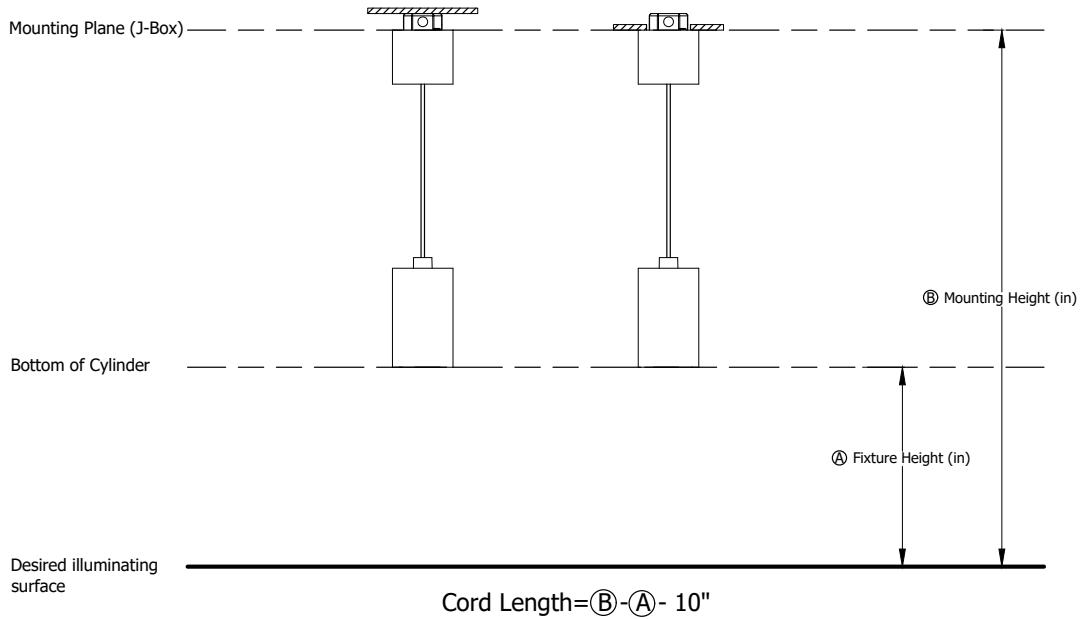


SGBCC Surface Gear Box for EDXB with Conduit Covers

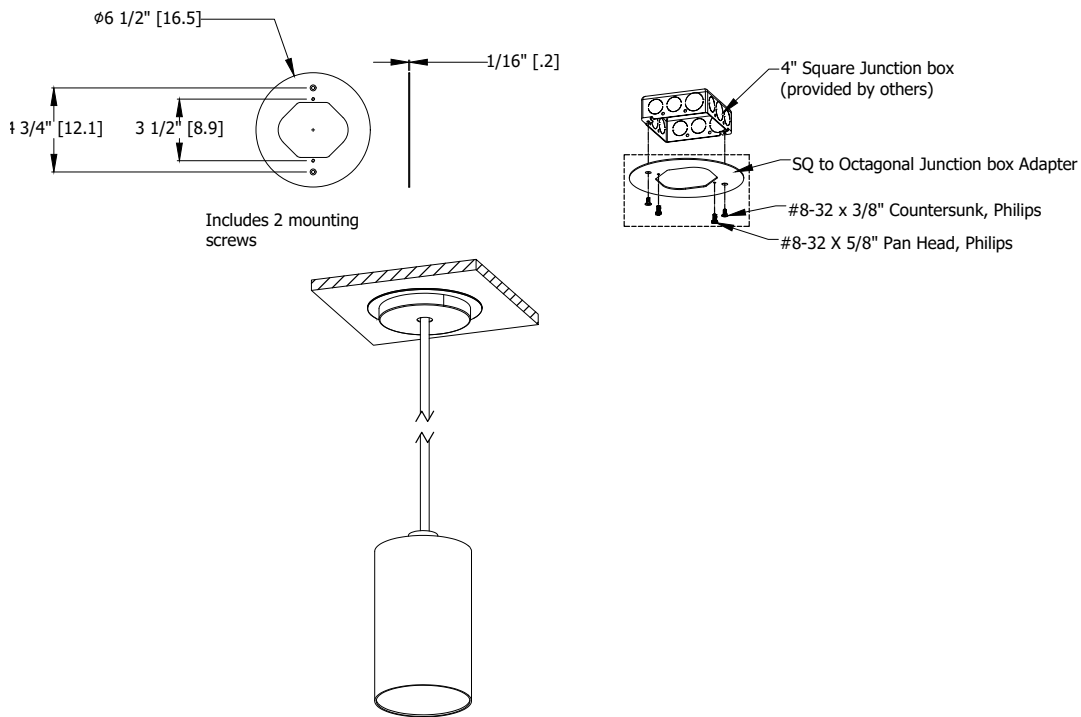


DIMENSIONAL DATA

Cutting Formulas for SGB

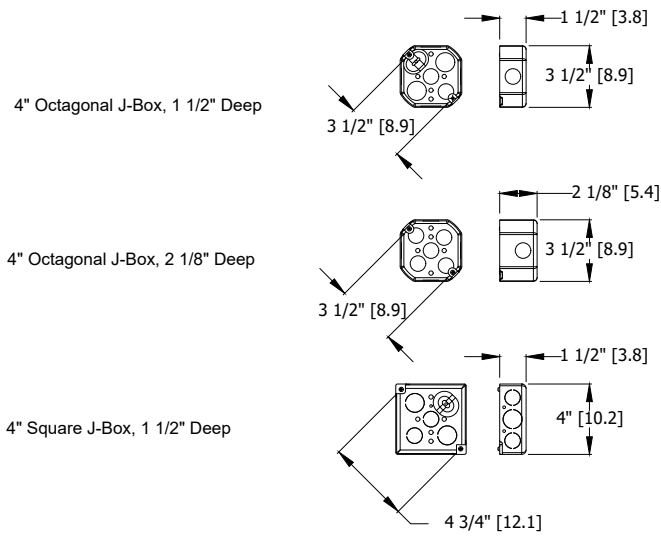


Cylinder Adaptor Plate

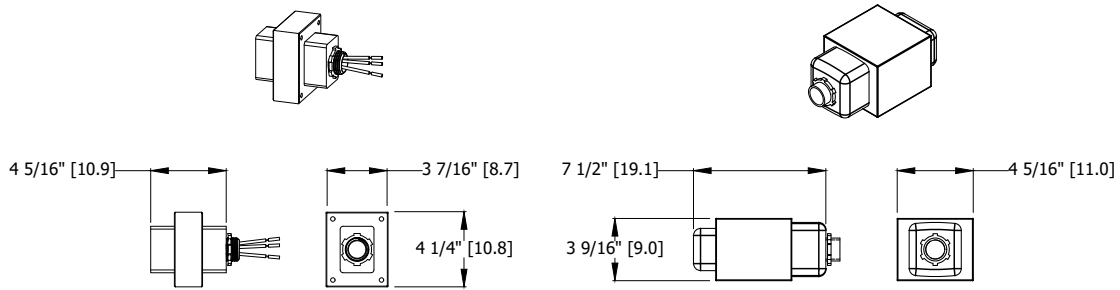


DIMENSIONAL DATA

Junction Box Dimensions (by others)



347V Stepdown Transformer

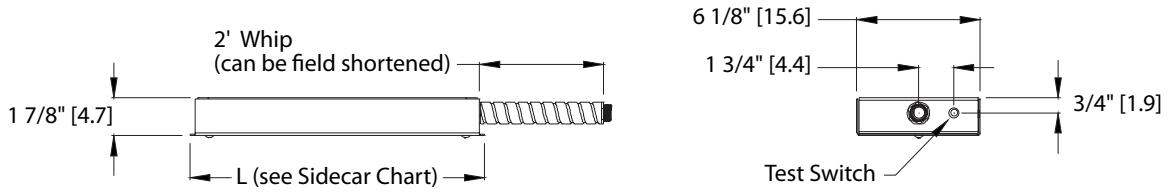


347 Transformer:
Up to 6000LM
Install to accessible
junction box by others

347 Transformer:
8000LM and up
Install to accessible
junction box by others

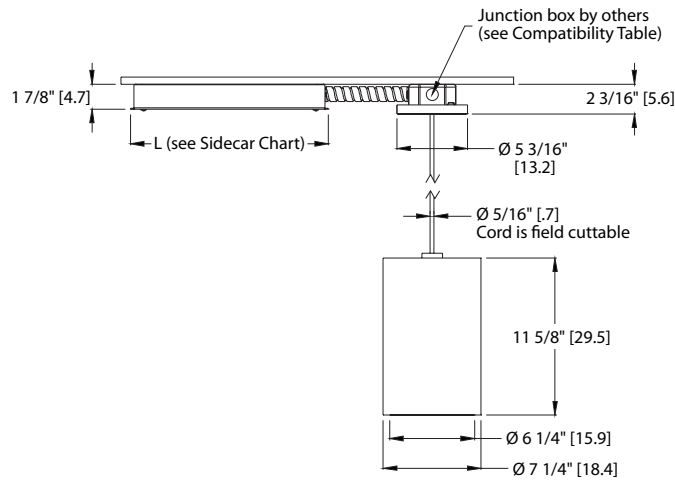
DIMENSIONAL DATA

Emergency Battery Sidecar Dimensions



| SIDECAR BATTERY OPTION | LUMEN PACKAGES AVAILABLE | L (SIDECAR LENGTH) |
|------------------------|---|--------------------|
| E7WCP | 750LM AND GREATER EXCEPT AS NOTED BELOW | 14" |
| | 6000-8000LM 5000-8000LM WITH ECOD DRIVER | 16" |
| E10WCP | 1000LM AND GREATER EXCEPT AS NOTED BELOW | 14" |
| | 6000-8000LM 5000-8000LM WITH ECOD DRIVER | 16" |
| E15WCP | 1500LM AND GREATER | 16" |

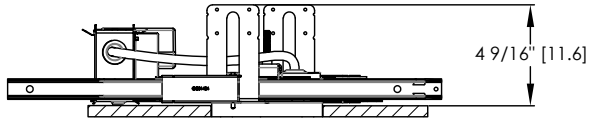
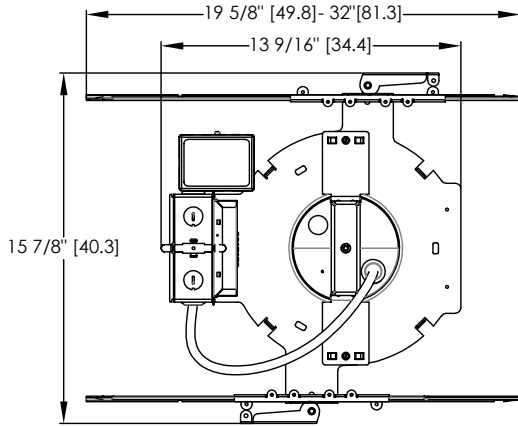
E7WCP/E10WCP/E15WCP Sidecar Emergency Battery



*Dimensions in inches [centimeters]

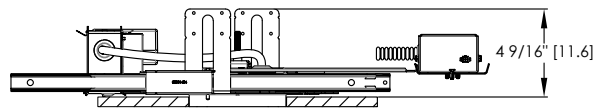
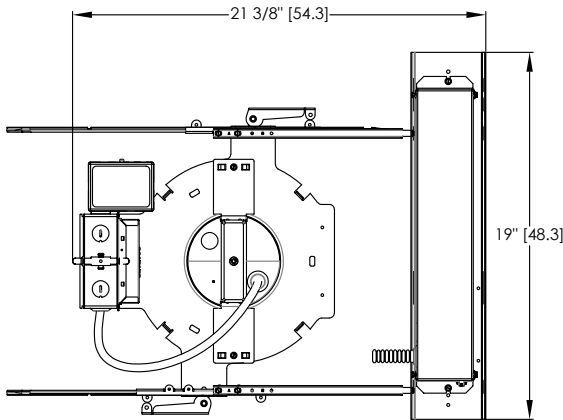
DIMENSIONAL DATA

RGH 2500LM-5000LM and with EDXB up to 4500LM & ECOD up to 4000LM Standard



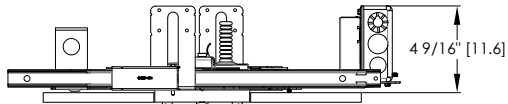
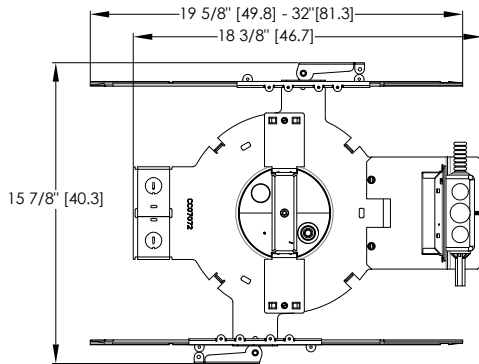
Ceiling thickness range: 1/2\"[1.3] to 3\"[7.6]
Ceiling cutout: 5 1/16\"[12.9]

RGH with Battery Backup (E10WCPR) 2500LM-5000LM and with EDXB up to 4500LM & ECOD up to 4000LM Standard



With Emergency Battery or GTD option
Minimum plenum height for emergency batteries in non-accessible ceilings: 12 1/2\"[31.8]
Ceiling thickness range: 1/2\"[1.3] to 3\"[7.6]
Ceiling cutout: 5 1/16\"[12.9]

RGH with CP 2500LM-5000LM and for use with EDXB up to 4500LM & ECOD up to 4000LM Standard

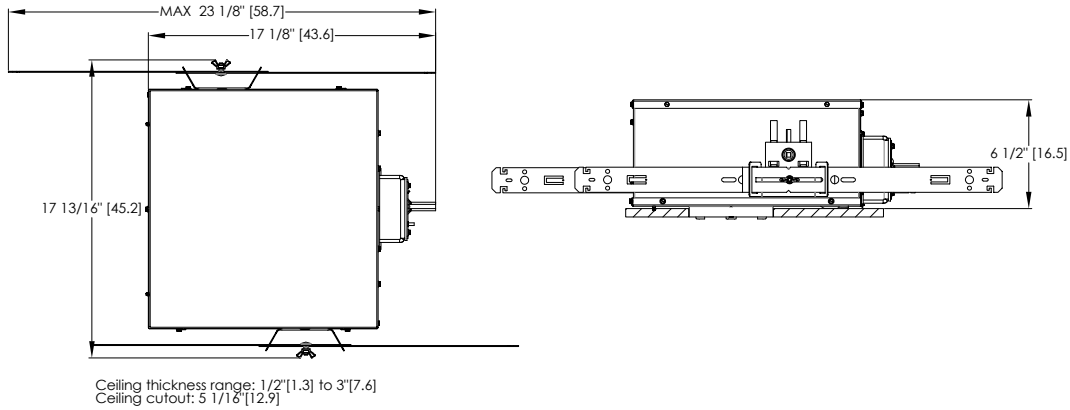


Ceiling thickness range: 1/2\"[1.3] to 3\"[7.6]
Ceiling cutout: 5 1/16\"[12.9]

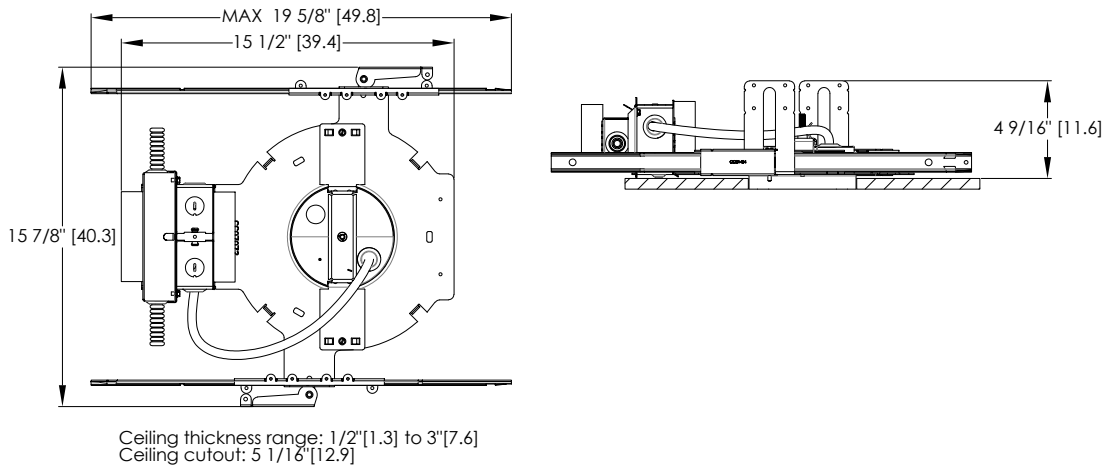
*Dimensions in inches [centimeters]

DIMENSIONAL DATA

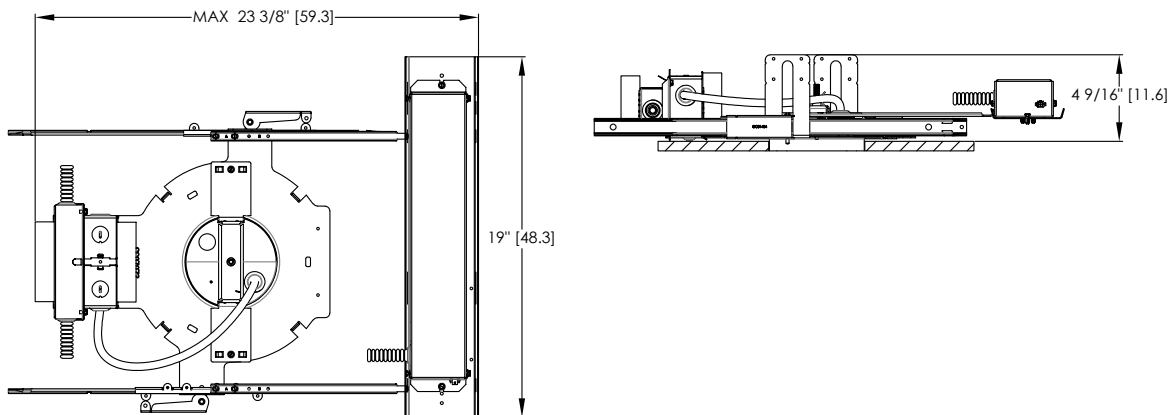
RGH with Chicago Plenum (CP) for use with nLight Enclosed



RGH Double Driver 5000LM+ EDXB & ECOD, 6000LM & 8000LM Standard



RGH Double Driver with Battery Backup (E10WCPR or E10WCP) for use with 5000LM+ EDXB & ECOD, 6000LM & 8000LM Standard

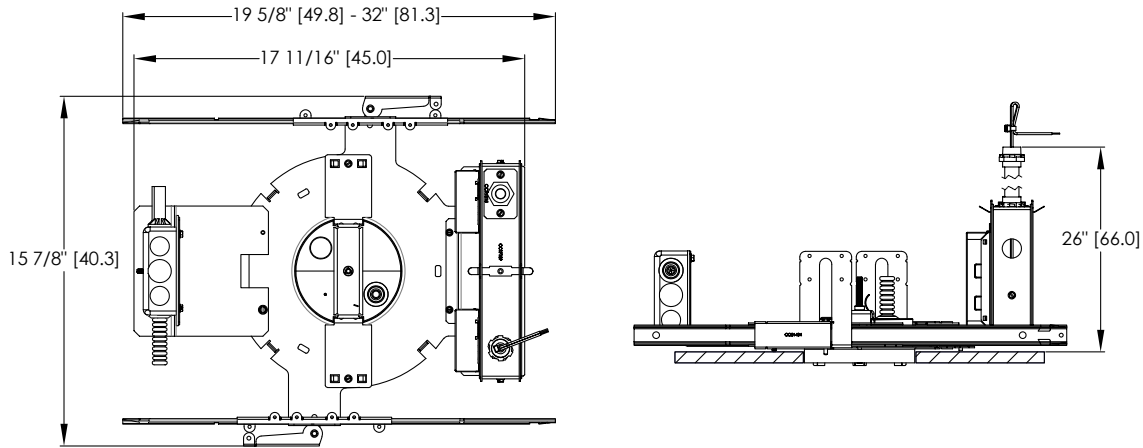


With Emergency Battery or GTD option
Minimum plenum height for emergency batteries in non-accessible ceilings: 12 1/2" [31.8]
Ceiling thickness range: 1/2" [1.3] to 3" [7.6]
Ceiling cutout: 5 1/16" [12.9]

*Dimensions in inches [centimeters]

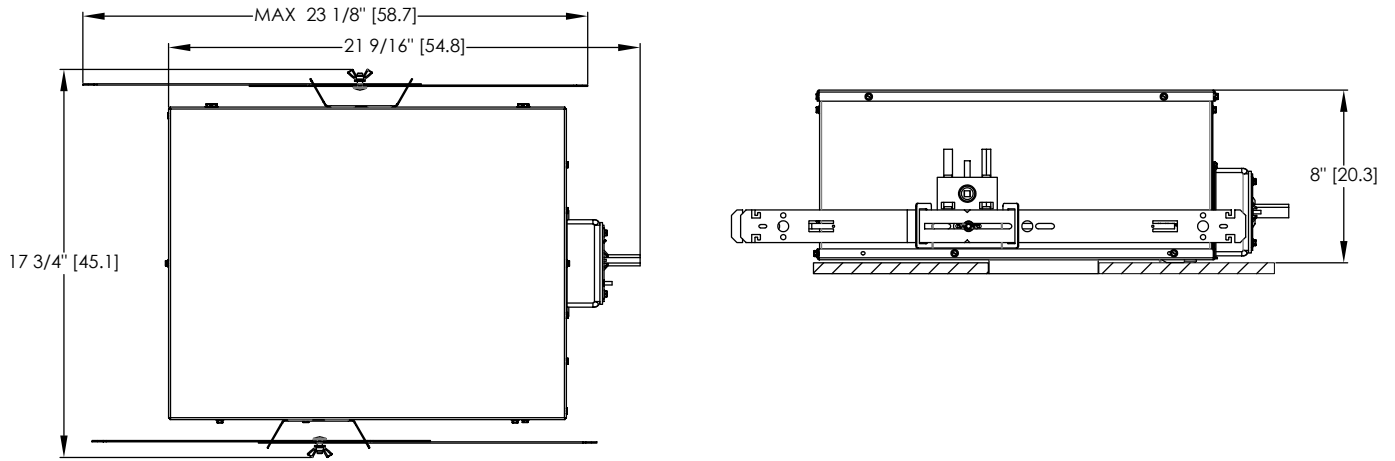
DIMENSIONAL DATA

RGH Double Driver CP Standard



Ceiling thickness range: 1/2" [1.3] to 3" [7.6]
 Ceiling cutout: 5 1/16" [12.9]

RGH Double Driver with CP for use with 5000LM+ EDXB & ECOD, 6000LM & 8000LM Enclosed

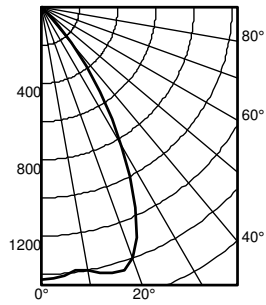


Ceiling thickness range: 1/2" [1.3] to 3" [7.6]
 Ceiling cutout: 5 1/16" [12.9]

*Dimensions in inches [centimeters]

CONSULT WWW.GOTHAMLIGHTING.COM FOR ADDITIONAL PHOTOMETRY.

EVO6CC 35/15 AR MWD LS INPUT WATTS: 14.7, DELIVERED LUMENS: 1471LM, LPW= 100, 1.03 S/MH, TEST NO. LTL27783P1505

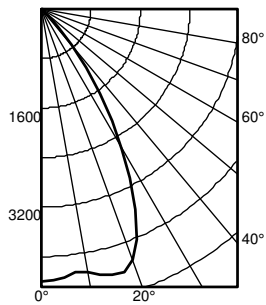


| Ave | Lumens | Zone | Lumens | % Lamp |
|-----|--------|------------|--------|-------------|
| 0 | 1431 | 0° - 30° | 1061.4 | 72.2 |
| 5 | 1410 | 0° - 40° | 1393.5 | 94.7 |
| 15 | 1442 | 0° - 60° | 1469.5 | 99.9 |
| 25 | 1161 | 0° - 90° | 1470.9 | 100.0 |
| 35 | 540 | 90° - 180° | 0.0 | 0.0 |
| 45 | 78 | 0° - 180° | 1470.9 | *100.0 |
| 55 | 3 | | | *Efficiency |
| 65 | 1 | | | |
| 75 | 0 | | | |
| 85 | 0 | | | |
| 90 | 0 | | | |

| Mounting Height | Initial FC | | | |
|-----------------|-------------|----------|------|----------|
| | Center Beam | Diameter | FC | Diameter |
| 8.0 | 47.3 | 5.7 | 23.7 | 8.9 |
| 10.0 | 25.4 | 7.7 | 12.7 | 12.1 |
| 12.0 | 15.9 | 9.8 | 7.9 | 15.3 |
| 14.0 | 10.8 | 11.8 | 5.4 | 18.6 |
| 16.0 | 7.9 | 13.9 | 3.9 | 21.8 |

50% beam - 54.4°
10% beam - 77.9°

EVO6CC 35/45 AR MWD LS INPUT WATTS: 47.3, DELIVERED LUMENS: 4532.7LM, LPW= 95.8, 1.03 S/MH, TEST NO. LTL27783P1649



| Ave | Lumens | Zone | Lumens | % Lamp |
|-----|--------|------------|--------|-------------|
| 0 | 4411 | 0° - 30° | 3270.7 | 72.2 |
| 5 | 4346 | 0° - 40° | 4294.2 | 94.7 |
| 15 | 4443 | 0° - 60° | 4528.3 | 99.9 |
| 25 | 3578 | 0° - 90° | 4532.7 | 100.0 |
| 35 | 1665 | 90° - 180° | 0.0 | 0.0 |
| 45 | 242 | 0° - 180° | 4532.7 | *100.0 |
| 55 | 8 | | | *Efficiency |
| 65 | 2 | | | |
| 75 | 1 | | | |
| 85 | 0 | | | |
| 90 | 0 | | | |

| Mounting Height | Initial FC | | | |
|-----------------|-------------|----------|------|----------|
| | Center Beam | Diameter | FC | Diameter |
| 8.0 | 145.8 | 5.7 | 72.9 | 8.9 |
| 10.0 | 78.4 | 7.7 | 39.2 | 12.1 |
| 12.0 | 48.9 | 9.8 | 24.4 | 15.3 |
| 14.0 | 33.4 | 11.8 | 16.7 | 18.6 |
| 16.0 | 24.2 | 13.9 | 12.1 | 21.8 |

50% beam - 54.4°
10% beam - 77.9°

| Lumen Output Multiplier | | |
|-------------------------|-------|------------|
| CRI | CCT | Multiplier |
| 80 | 2700K | 0.916 |
| | 3000K | 0.948 |
| | 3500K | 1 |
| | 4000K | 1.032 |
| | 5000K | 1.1 |
| 90 | 2700K | 0.748 |
| | 3000K | 0.8 |
| | 3500K | 0.838 |
| | 4000K | 0.845 |
| | 5000K | 0.945 |

| Reflector Finish Multiplier | |
|-----------------------------|------------|
| Reflector Finish | Multiplier |
| LS - Specular | 1 |
| LSS - Semi Specular | 0.956 |
| WR - White | 0.87 |
| LD - Matte Diffuse | 0.85 |
| BR - Black | 0.73 |
| BZR - Bronze | 0.73 |

| Distributions | | |
|---------------|------------|-------------|
| Nomenclature | Beam Angle | Field Angle |
| VND | 30 | 64 |
| ND | 44 | 69 |
| MD | 54 | 82 |
| MWD | 67 | 89 |
| WD | 71 | 92 |

nLight® AIR is the ideal solution for retrofit or new construction spaces where adding communication wiring is cost prohibitive. The integrated nLight AIR rPP20 Power Pack is part of each EVO Luminaire ordered with the NLTAIR option. These individually addressable controls offer the ultimate in flexibility during initial setup and for space repurposing.

nLight® AIR Control Accessories

Order as separate catalog number. Visit [nLight AIR](#).

| Wall Switches | Model Number |
|----------------------------------|------------------------|
| On/Off single pole | rPODB (color) G2 |
| On/Off two pole | rPODB 2P (color) G2 |
| On/Off & raise/lower single pole | rPODB DX (color) G2 |
| On/Off & raise/lower two pole | rPODB 2P DX (color) G2 |

nLight® AIR Control Accessories (cont.)

| Occupancy Sensors (PIR/dual tech) | Model Number |
|-----------------------------------|-----------------------|
| Small motion 360°, ceiling | rCMS 9 / rCMS PDT 9 |
| Large motion 360°, ceiling | rCMS 10 / rCMS PDT 10 |

UL924 Sequence of Operation

The below information applies to all nLight AIR devices with an EM option.

- EM devices will remain at their high-end trim and ignore wireless lighting control commands, unless a normal-power-sensed (NPS) broadcast is received at least every 8 seconds.
- Using the CLAIRITY™ mobile app, EM devices must be associated with a group that includes a normal power sensing device to receive NPS broadcasts.
- Only non-emergency rPP20, rLSXR, rSBOR, rSDGR, and nLight AIR luminaires with version 3.4 or later firmware can provide normal power sensing for EM devices. See specification sheets for control devices and luminaires for more information on options that support normal power sensing.

nLight® Wired The nLight® solution is a digital networked lighting control system that provides both energy savings and increased user configurability by cost effectively integrating time-based, daylight-based, sensor-based and manual lighting control schemes.

nLight® Wired Control Accessories

Order as separate catalog number. Visit [nLight](#).

| Wall Switches | Model Number |
|----------------------------------|---------------------|
| On/Off single pole | nPODM (color) |
| On/Off two pole | nPODM 2P (color) |
| On/Off & raise/lower single pole | nPOD DX (color) |
| On/Off & raise/lower two pole | nPODM 2P DX (color) |
| Graphic touchscreen | nPOD GFX (color) |

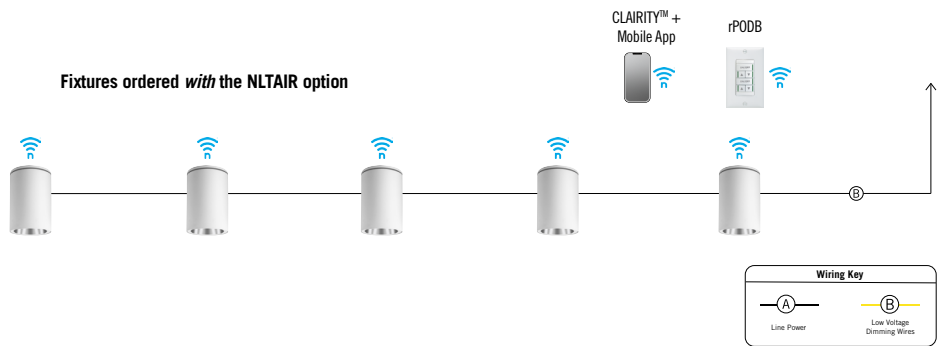
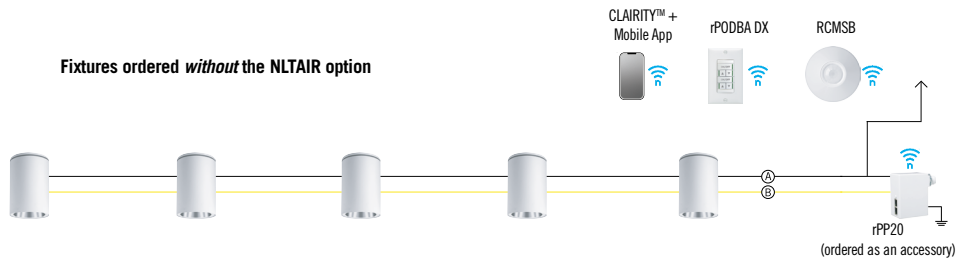
| Photocell Controls | Model Number |
|--------------------|--------------|
| Dimming | nCM ADCX |

nLight® Wired Control Accessories (cont.)

| Occupancy Sensors (PIR/dual tech) | Model Number |
|-----------------------------------|-----------------------------|
| Small motion 360°, ceiling | nCM 9 / nCM PDT 9 |
| Large motion 360°, ceiling | nCM 10 / nCM PDT 10 |
| Wide View | nWV 16 / nWV PDT 16 |
| Wall switch with raise/lower | nWSX LV DX / nWSX PDT LV DX |

| Cat-5 Cables (plenum rated) | Model Number |
|-----------------------------|--------------|
| 10', CAT5 | CAT5 10FT J1 |
| 15', CAT5 | CAT5 15FT J1 |

Possibilities for nLight® AIR



Possibilities for nLight® wired

