

Gotham Architectural Downlighting  
LED Downlights

**6" Incito®**  
Downlight

Solid-State Lighting  
(US and International Patents Pending)



FEATURES

**INTENDED USE**

- Achieve the lowest installed power density and operating costs while achieving every layer of light via the optimized general illumination distributions from the EVO family, and the high centerbeam accent layers from the highly flexible Incito family. The EVO and Incito families maintain consistent luminous apertures, dimming characteristics, and color quality to ensure the blending of families in common spaces renders an unparalleled, tailored visual experience.

**OPTICAL SYSTEM**

- Ten optimized distribution patterns allow designers to achieve tailored effects.
- Self-flanged semi-specular or matte-diffuse lower reflector utilized in combination with a highly transmissive lens.
- Patented Bounding Ray™ Optical Principle design (U.S. Patent No. 5,800,050) provides smooth and continuous transition from lensed source to the top of the reflector down to the bottom of the reflector.

**MECHANICAL SYSTEM**

- Light engine and driver are accessible from above or below ceiling.
- 16-gauge black painted steel mounting frame with C-channel mounting bars included. Post-installation adjustment possible from above or below ceiling.
- Galvanized steel junction box with hinged access covers and spring latch. Three combination 1/2"-3/4" and one 1/2" knockout for straight-through conduit runs. Capacity: 8 (4in, 4out) No. 12 AWG conductors rated for 90°C.
- Accommodates up to 1 1/2"-thick ceilings.

**ELECTRICAL SYSTEM**

- Solid-state LED light engine available in 2700 K, 3000 K, 3500 K or 4000 K color temperatures. CRI: 85 typical.
- eldoLED ecoDrive 0-10V driver available with 10% dimming level.
- eldoLED ecoDrive 0-10V driver available with 1% dimming level.
- eldoLED SOLOdrive 0-10V driver available with <1% dimming level.
- eldoLED SOLOdrive DALI driver available with <1% dimming level.
- eldoLED POWERdrive DMX with RDM (remote device management) available with <1% dimming level.
- Rated system life of 60,000 hours at >70% output.
- Emergency battery pack with remote test switch available.
- Tested in accordance with LM-79 and LM-80 standards.

**LISTINGS**

- Fixtures are CSA certified to meet US and Canadian standards; wet location, covered ceiling.

**BUY AMERICAN ACT**

- This product is assembled in the USA and meets the Buy America(n) government procurement requirements under FAR, DFARS and DOT regulations. Please refer to [www.acuitybrands.com/buy-american](http://www.acuitybrands.com/buy-american) for additional information.

**WARRANTY**

- 5-year limited warranty. This is the only warranty provided and no other statements in this specification sheet create any warranty of any kind. All other express and implied warranties are disclaimed. Complete warranty terms located at: [www.acuitybrands.com/support/warranty/terms-and-conditions](http://www.acuitybrands.com/support/warranty/terms-and-conditions)

**Note:** Actual performance may differ as a result of end user environment and application. All values are design or typical values, measured under laboratory conditions at 25 °C.

**EXAMPLE: IC0 30/50 6ARFL LD 20D 120 EZB**

Series	Color temperature	Nominal delivered lumen values <sup>1</sup>		Aperture/Trim color		Trim style		Finish	Beam		Volt-age			
IC0	27/ 2700 K	20	2000 lumens	55	5500 lumens	6AR	Clear	(blank)	Self-flanged	LSS	Semi-specular	20D	20° beam angle	120
	30/ 3000 K	25	2500 lumens	60	6000 lumens	6PR	Pewter	FL	Flangeless	LD	Matte diffuse	25D	25° beam angle	277
	35/ 3500 K	30	3000 lumens	65	6500 lumens	6WTR	Wheat					30D	30° beam angle	347 <sup>3</sup>
	40/ 4000 K	35	3500 lumens	70	7000 lumens	6GR	Gold					35D	35° beam angle	
		40	4000 lumens	75	7500 lumens	6WR <sup>2</sup>	White					40D	40° beam angle	
		45	4500 lumens	80	8000 lumens	6BR <sup>2</sup>	Black					45D	45° beam angle	
		50	5000 lumens	85	8500 lumens							55D	55° beam angle	
												60D	60° beam angle	
												65D	65° beam angle	
												70D	70° beam angle	

Driver	Options
<b>EZ10</b> eldoLED 0-10V ECOdrive. Linear dimming to 10% min. <b>EZ1</b> eldoLED 0-10V ECOdrive. Linear dimming to 1% min. <b>EZB</b> eldoLED 0-10V SOLOdrive. Logarithmic dimming to <1%. <b>EDAB</b> eldoLED SOLOdrive DALI. Logarithmic dimming to <1%. <b>EDXB</b> eldoLED POWERdrive DMX with RDM (remote device management). Square Law dimming to <1%. Includes termination resistor. Refer to <a href="#">DMXR Manual</a> .	<b>SF</b> Single fuse <b>TRW<sup>4</sup></b> White painted flange <b>TRBL<sup>5</sup></b> Black painted flange <b>ELR<sup>6</sup></b> Emergency battery pack with remote test switch, CEC compliant <b>CP<sup>7</sup></b> Chicago plenum <b>BGTD</b> Bodine generator transfer device <b>CRI90</b> High CRI (90+)
	<b>HAO</b> High ambient capability up to 40°C. Fixture height is 10-3/8" <b>NPS80EZ</b> nLight® dimming pack controls 0-10V eldoLED drivers. <b>NPS80EZ ER<sup>8</sup></b> nLight® dimming pack controls 0-10V eldoLED drivers. ER controls fixtures on emergency circuit. <b>LTVI<sup>9</sup></b> Lutron ECOSystem interface for compatibility with 0-10V EZ10, EZ1 or EZB. <b>RRL<sup>__</sup></b> RELOC®-ready luminaire connectors enable a simple and consistent factory installed option across all ABL luminaire brands. Refer to <a href="#">RRL</a> for complete nomenclature. Available only in RRLA, RRLB, RRLAE, and RRLC12S.

ACCESSORIES order as separate catalog numbers (shipped separately)

**SCA** Sloped ceiling adapter. Degree of slope must be specified (5D, 10D, 15D, 20D, 25D, 30D). Ex: SCA6 10D. Refer to [TECH-190](#).

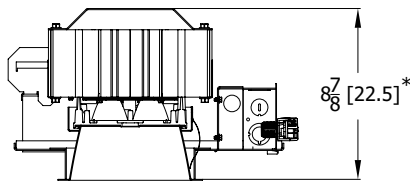
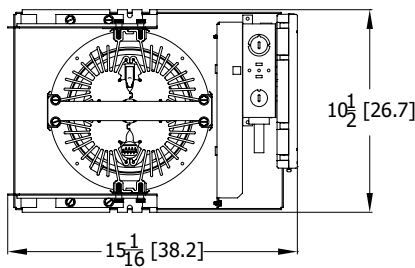
ORDERING INFORMATION

**6" INCITO**  
**Open Reflector**  
 Solid-State Lighting



DIMENSIONAL DATA

All dimensions are inches (centimeters) unless otherwise noted.



Incito Round Downlight - Flanged

Aperture: 6-1/4 [15.8]  
 Ceiling opening: 6-15/16 [17.6]  
 Overlap trim: 7-1/2 [19.1] self-flanged  
 6-5/8 [16.8] flangeless

\* HIGH AMBIENT FIXTURE HEIGHT - 10-5/8"



Incito Round Downlight - Flangless (FL)

ELECTRICAL

**WATTAGE CONSUMPTION MATRIX**

LUMENS	BEAM ANGLES									
	20	25	30	35	40	45	55	60	65	70
8500	95.5	95.5	95.5	95.5	95.5	108.7	108.7	108.7	108.7	108.7
8000	91	91	91	91	91	99.8	99.8	99.8	99.8	99.8
7500	82.3	82.3	82.3	82.3	82.3	95.5	95.5	95.5	95.5	95.5
7000	73.6	73.6	73.6	73.6	73.6	86.7	86.7	86.7	86.7	86.7
6500	69.3	69.3	69.3	69.3	69.3	82.3	82.3	82.3	82.3	82.3
6000	60.9	60.9	60.9	60.9	60.9	73.6	73.6	73.6	73.6	73.6
5500	56.9	56.9	56.9	56.9	56.9	65.1	65.1	65.1	65.1	65.1
5000	48.3	48.3	48.3	48.3	48.3	60.9	60.9	60.9	60.9	60.9
4500	44.2	44.2	44.2	44.2	44.2	52.5	52.5	52.5	52.5	52.5
4000	40.2	40.2	40.2	40.2	40.2	43.4	43.4	43.4	43.4	43.4
3500	34	34	34	34	34	37	37	37	37	37
3000	28.4	28.4	28.4	28.4	28.4	31	31	31	31	31
2500	26.3	26.3	26.3	26.3	26.3	28.4	28.4	28.4	28.4	28.4
2000	26.3	26.3	26.3	26.3	26.3	26.3	26.3	26.3	26.3	26.3

**CRI/CCT Multiplier Table**

CRI	CCT	Multiplier
80	2700K	0.94
	3000K	0.97
	3500K	1.00
	4000K	1.02
90	2700K	0.79
	3000K	0.82
	3500K	0.85
	4000K	0.87

**EL/ELR AVAILABILITY / COMPATIBILITY – Initial Lumens**

Product	LED		Initial Lumens	
	Lumens	Watts	EL/ELR	ELRHL
ICO 6"	2000-8500	24-101	580	N/A

**nLight® Control Accessories:**

Order as separate catalog number. Visit [www.acuitybrands.com/products/controls/nlight](http://www.acuitybrands.com/products/controls/nlight) for complete listing of nLight controls.

WallPod stations	Model number	Occupancy sensors	Model number
On/Off	nPODM [color]	Small motion 360°, ceiling (PIR / dual tech)	nCM 9 / nCM PDT 9
On/Off & Raise/Lower	nPODM DX [color]	Large motion 360°, ceiling (PIR / dual tech)	nCM 10 / nCM PDT 10
Graphic Touchscreen	nPOD GFX [color]	Wide view (PIR / dual tech)	nWV 16 / nWV PDT 16
<b>Photocell controls</b>	<b>Model number</b>	Wall Switch w/ Raise/Lower (PIR / dual tech)	nWSX LV DX / nWSX PDT LV DX
On/Off & Dimming	nCM ADCX	<b>Cat-5 cables (plenum rated)</b>	<b>Model number</b>
		10', CAT5 10FT	CAT5 10FT J1
		15', CAT5 15FT	CAT5 15FT J1

NOTES

**ORDERING NOTES**

- Nominal downlight lumens.
- Not available with finishes. Not available with flangeless (FL) trim style.
- Add 2" to overall height.
- Not available with white reflector. Not applicable with FL option.
- Not available with black reflector. Not applicable with FL option.
- For dimensional changes, refer to [TECH-140](#). Not available with CP option. Must specify 120V or 277V. Not available with 347V.
- Chicago plenum available 7500 lumens and below.
- For use with generator supply EM power. Will require an emergency hot feed and normal hot feed.
- Shipped installed from the factory. Not available with CP.



CONSULT WWW.GOTHAMLIGHTING.COM FOR PHOTOMETRY

**Choose Wall Controls.**

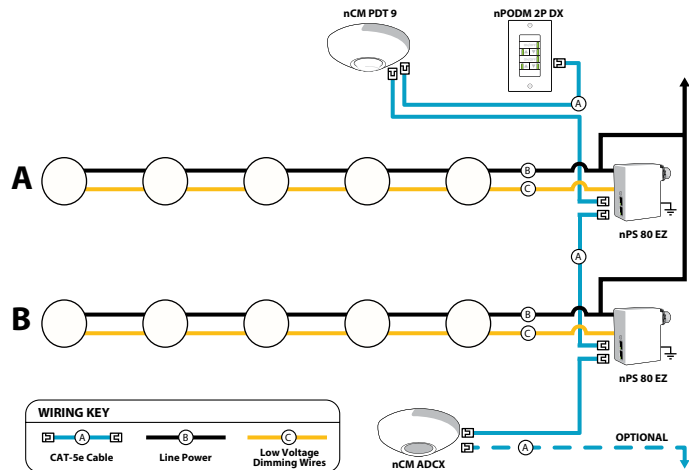
nLIGHT offers multiple styles of wall controls – each with varying features and user experience.



**Push-Button WallPod**  
Traditional tactile buttons and LED user feedback



**Graphic WallPod**  
Full color touch screen provides a sophisticated look and feel



**EXAMPLE**

Group Fixture Control\*

\*Application diagram applies for fixtures with eldoLED drivers only.

**nPS 80 EZ** Dimming/Control Pack (qty 2 required)

**nPODM 2P DX** Dual On/Off/Dim Push-Button WallPod

**nCM ADCX** Daylight Sensor with Automatic Dimming Control

**nCM PDT 9** Dual Technology Occupancy Sensor

**Description:** This design provides a dual on/off/dim wall station that enables manual control of the fixtures in Row A and Row B separately. Additionally, a daylight harvesting sensor is provided so the lights in row B can be configured to dim automatically when daylight is available. An occupancy sensor turns off all lights when the space is vacant.

**A+ Capable Luminaire**

This item is an A+ capable luminaire, which has been designed and tested to provide consistent color appearance and out-of-the-box control compatibility with simple commissioning when used with Acuity Brands controls products.

*All configurations of this luminaire are calibrated and tested to meet the Acuity Brands' specifications for chromatic consistency – including color rendering, color fidelity, and color temperature tolerance around standard CIE chromaticity coordinates.*

To learn more about Acuity A+ standards, specifications, and testing visit [www.acuitybrands.com/aplus](http://www.acuitybrands.com/aplus).