

Gotham Architectural Downlighting  
Compact Fluorescent Downlights

**11" LAF**  
**Square Lens**

Wet Location, Horizontal Lamp  
Double Twin-Tube or Triple-Tube

FEATURES

**OPTICAL SYSTEM**

- Diffused anodized aluminum reflector.
- Available with tempered prismatic lens (T73).

**MECHANICAL SYSTEM**

- Die-cast aluminum, gasketed door frame available in flush white or regressed stepped baffle.
- Self-aligning butterfly door support springs.
- Die-formed steel upper housing with white polyester powder paint and formed steel lower housing with matte black finish.
- Expandable mounting bars provide horizontal and vertical adjustment.
- Galvanized steel junction box with hinged access covers and spring latch. Two combination 1/2" - 3/4" knockouts and two 1/2" knockouts for straightthrough conduit runs. Capacity: 8 (4 in, 4 out) No.12 AWG conductors rated for 90°C.
- Patented adjustable aperture allows 1/4" adjustments in all directions and up to 5° of rotation, allowing post-installation adjustments to ensure trim-to-trim alignment.

**ELECTRICAL SYSTEM**

- Horizontally-mounted, positive latch thermoplastic sockets.
- Class P, thermally-protected, high power factor ballasts mounted to the junction box.

**LISTING**

- Fixtures are UL Listed for thru-branch wiring, Non-IC recessed mounting and wet locations. Listed and labeled to comply with Canadian Standards.

**WARRANTY**

- 1-year limited warranty. Complete warranty terms located at: [www.acuitybrands.com/CustomerResources/Terms\\_and\\_conditions.aspx](http://www.acuitybrands.com/CustomerResources/Terms_and_conditions.aspx)

ORDERING INFORMATION

**EXAMPLE: LAF 2/13D TT 11RW T73 MVOLT**

Series	Wattage/Lamp	Door frame	Lens type	Voltage	Ballast <sup>2</sup>	Options									
<b>LAF<sup>1</sup></b>	1/18DTT	<b>11RW</b> Regressed white splay	<b>T73</b> Tempered prismatic lens	<b>MVOLT<sup>1</sup></b> 120 277 347	<b>ECOS<sup>3</sup></b> EcoSystem electronic dimming ballast. Minimum dimming level 5%.	<b>DS</b> Dual switching									
	1/26DTT						<b>ADEZ<sup>4</sup></b> Advance Mark 10 <sup>®</sup> electronic dimming ballast. Minimum dimming level 5%	<b>ELR<sup>5</sup></b> Emergency battery pack. Remote test switch provided							
	1/26TRT								<b>ADZT</b> Advance Mark7 <sup>™</sup> electronic 0-10V dimming ballast. (120V-277V only). Minimum dimming level 3%.	<b>GMF<sup>4</sup></b> Single, slow-blow fuse					
	1/32TRT										<b>GLR<sup>4</sup></b> Single, fast-blow fuse				
	1/42TRT											<b>WLP</b> With 3500 K lamp (shipped separately)			
	2/13DTT												<b>TRDA</b> Tamper-resistant door assembly		
	2/18DTT													<b>RRL</b> RELOC <sup>®</sup> -ready luminaire. Provides compatibility with Lithonia RELOC system. Access above ceiling required.	
	2/26DTT														<b>BDP<sup>6</sup></b> Ballast disconnect plug
	2/26TRT														
	2/32TRT														
2/42TRT															

ACCESSORIES order as separate catalog numbers (shipped separately)

- NPP16 D** nLight<sup>®</sup> network relay pack with 0-10V dimming. Refer to [TN-602](#). Fixtures must be ordered with ADZT ballast.
- NPP16 D ER<sup>7</sup>** nLight<sup>®</sup> network relay pack with 0-10V dimming for emergency circuit operation. Refer to [TN-602](#). Fixtures must be ordered with ADZT ballast.

NOTES

**ORDERING NOTES**

- Multi-volt electronic ballast capable of operating on any voltage from 120V through 277V, 50 or 60 Hz.
- For additional ballast types, refer to [TECH-250](#).
- Not available 13DTT.
- Available in 120V or 277V only.
- For dimensional changes, refer to [TECH-140](#).
- Meets codes that require in-fixture disconnect.
- For use with generator supply EM power. Will require an emergency hot feed and normal hot feed.

# 11" LAF

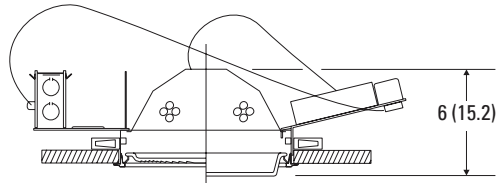
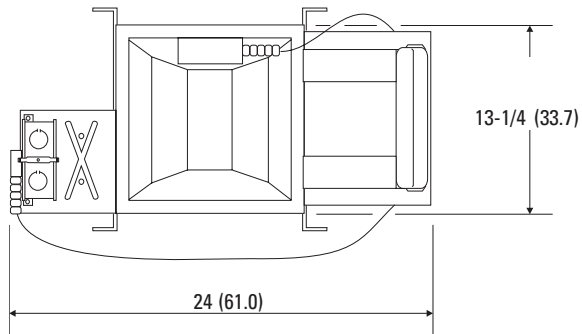
## Square Lens

Wet Location, Horizontal Lamp, Double Twin-Tube or Triple-Tube



DIMENSIONAL DATA

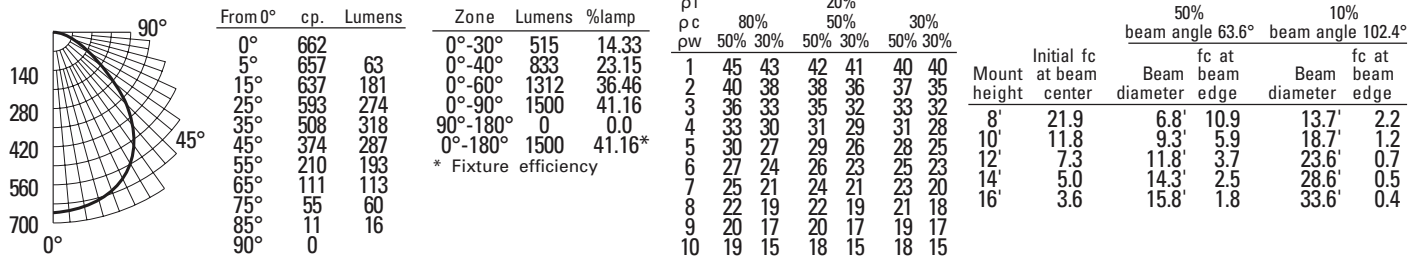
All dimensions are inches (centimeters) unless otherwise noted.



Aperture: 10-1/8 (27.0)  
Ceiling opening: 11-1/4 (28.6)  
Overlap trim: 11-5/8 (29.5)

Distribution Curve	Distribution Data	Output Data	Coefficient of Utilization	Illuminance: Single Luminaire 30" Above Floor
--------------------	-------------------	-------------	----------------------------	---

**LAF 2/26DTT 11RW T73** (2) 26W F26DTT/27K LAMP, 1.3 S/MH, 3600 RATEDLUMENS, TEST NO. 2192100502



From 0°	cp.	Lumens	Zone	Lumens	%lamp	pf	pc	pw	80%	20%	30%	50%	30%	50%	30%	Mount height	Initial fc at beam center	50% beam angle 63.6°	10% beam angle 102.4°	
									50%	30%	50%	30%	50%	30%			Beam diameter	fc at beam edge	Beam diameter	fc at beam edge
0°	662		0°-30°	515	14.33	1			45	43	42	41	40	40	8'	21.9	6.8'	10.9	13.7'	2.2
5°	657	63	0°-40°	833	23.15	2			40	38	38	36	37	35	10'	11.8	9.3'	5.9	18.7'	1.2
15°	637	181	0°-60°	1312	36.46	3			36	33	35	32	33	32	12'	7.3	11.8'	3.7	23.6'	0.7
25°	593	274	0°-90°	1500	41.16	4			33	30	31	29	31	28	14'	5.0	14.3'	2.5	28.6'	0.5
35°	508	318	90°-180°	0	0.0	5			27	24	26	23	25	23	16'	3.6	15.8'	1.8	33.6'	0.4
45°	374	287	0°-180°	1500	41.16*	6			27	24	26	23	25	23						
55°	210	193	* Fixture efficiency			7			25	21	24	21	23	20						
65°	111	113				8			22	19	22	19	21	18						
75°	55	60				9			20	17	20	17	19	17						
85°	11	16				10			19	15	18	15	18	15						
90°	0																			

**PHOTOMETRY NOTES**

- Tested to current IES and NEMA standards under stabilized laboratory conditions.
- Actual performance may differ as a result of end-user environment and application.
- Consult factory or IES file for microgroove baffle, black cone or other photometric reports.