

FEATURES

OPTICAL SYSTEM

- Reflector - Self-flanged, semi-specular, specular or matte diffuse reflector. Patented Bounding Ray™ Optical Principle design (U.S. Patent No. 5,800,050) provides lamp before lamp image and smooth transition from top of reflector to bottom.
- Patent-pending integrated snoot on PAR 38 optical system minimizes striations normally associated with PAR lamps.

HOUSING

- Heavy-gauge aluminum housing with top deck for clean appearance. Matte white textured polyester powder paint finish standard.
- Reflector edge sits flush with cylinder wall for clean, one-piece appearance.
- Reveal on standard ceiling and optional pendant mount give floating luminaire appearance.

MOUNTING

- Ceiling mount (standard) offers patented (U.S. Patent No. 4,300,190), quick mount attachment plate for direct installation.
- Wall mount or pendant mount available.

ELECTRICAL SYSTEM

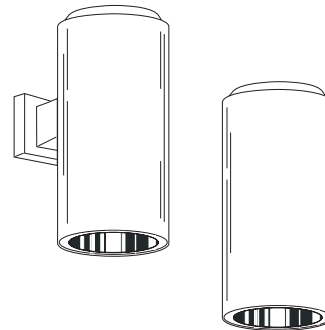
- Medium-base porcelain socket with nickel-plated screw shell.

LISTINGS

- Fixtures are UL Listed for damp locations. Listed and labeled to comply with Canadian Standards.

Type

Catalog number

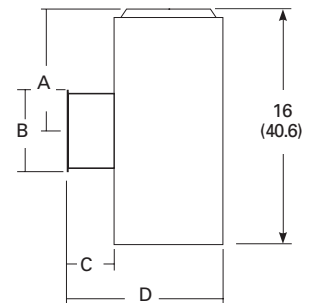


Incandescent Cylinders

9" CA

Cylinders

A21, A23 or PS25 Lamp
PAR



Reflector Aperture: 8 (20.3)
Housing Diameter: 9-3/8 (23.8)

A = 8 (20.3)
B = 5-5/16 (13.5)
C = 3-1/4 (8.3)
D = 12-1/2 (31.8)

Wall Mount Dimensions

All dimensions
are inches
(centimeters).

ORDERING INFORMATION

Example: **CA9 8AR DWHG**

Choose the boldface catalog nomenclature that best suits your needs and write it on the appropriate line. Order accessories as separate catalog numbers (shipped separately).

CA9									
Series ¹	Lamp designation	Aperture/Trim color	Finish	Options					
CA9	(blank) A21, A23, PS25 Lamp PAR38 PAR38 (150W Max.)	8AR Clear 8BR² Black 8PR Pewter 8UBR Umber 8WTR Wheat 8MB^{2,3} Black baffle 8WB^{2,3} White baffle	(blank) Semi-specular LD Matte-diffuse	Mounting	Housing Color				
				WM Wall Mount	DWHG Matte White (standard)	DDB Dark Bronze	DBL Black	DNA Natural Aluminum	DWH Gloss White
				PM⁴ Pendant 3/8" thread mount		DTG Tennis Green	DGC Charcoal Grey	DSS Sandstone	

NOTES:

- 1 Maximum wattage 300W PS25 lamp or 150W PAR38 lamp.
- 2 Not available with finishes.
- 3 Not available with PAR38.
- 4 Stem not included.
- 5 For use on pendant mount (PM) only. Specify length of stem (from 6" to 48" in 6" increments). Ex. CYS06 DWHG. **Consult factory for exterior use.** Stem and cylinder color will match when ordered on the same line.

Accessories

- Shipped Separately.
- CYS⁵** 3/8" stem and canopy with 5° "hang straight" swivel.
- CRS⁵** 3/8" stem and canopy with 45° swivel.

9" CA Open Reflector Cylinder

Distribution curve

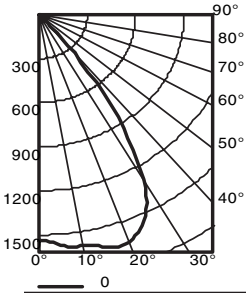
Distribution data

Output data

Coefficient of utilization

Illuminance Data at 30" Above Floor for a Single Luminaire

CA9 8AR, 150W A21 lamp, 2780 rated lumens, 1.2 s/mh, test no. LTL7618

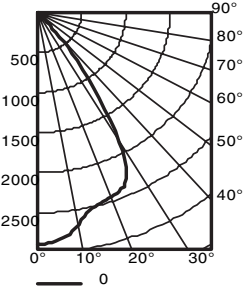


From 0°	Ave	Lumens	Zone	Lumens	% Lamp
0	1535		0° - 30°	1311.3	47.2
5	1576	151	0° - 40°	1822.3	65.6
15	1637	463	0° - 60°	1910.8	68.7
25	1547	697	0° - 90°	1910.8	68.7
35	852	511	90° - 180°	0.0	0.0
45	78	85	0° - 180°	1910.8	*68.7
55	2	3			*E efficiency
65	0	0			
75	0	0			
85	0	0			
90	0	0			

pf	pc	80%		20%		50%	
		50%	30%	50%	30%	50%	30%
1	.76	.74	.75	.73	.72	.71	
2	.71	.68	.70	.67	.67	.65	
3	.66	.62	.65	.62	.63	.60	
4	.61	.57	.61	.57	.59	.56	
5	.57	.53	.57	.53	.55	.52	
6	.54	.49	.53	.49	.52	.48	
7	.50	.46	.50	.46	.49	.45	
8	.47	.43	.47	.43	.46	.42	
9	.44	.40	.44	.40	.43	.40	
10	.42	.37	.41	.37	.41	.37	

Mount height	50° beam angle		10% beam angle	
	Initial fc at beam center	Beam diameter	fc at beam edge	Beam diameter
8	50.7	6.6	25.4	9.2
10	27.3	9.0	13.6	12.6
12	17.0	11.4	8.5	15.9
14	11.6	13.8	5.8	19.3
16	8.4	16.2	4.2	22.7

CA9 8AR, 200W A23 lamp, 3930 rated lumens, 1.1 s/mh, test no. LTL8058

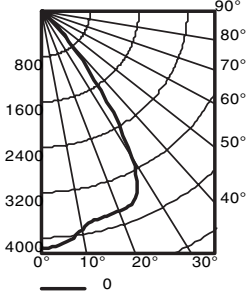


From 0°	Ave	Lumens	Zone	Lumens	% Lamp
0	2895		0° - 30°	2022.7	51.5
5	2845	266	0° - 40°	2662.6	67.8
15	2502	713	0° - 60°	2775.0	70.6
25	2346	1043	0° - 90°	2775.8	70.6
35	1001	640	90° - 180°	0.0	0.0
45	96	104	0° - 180°	2775.8	*70.6
55	7	8			*E efficiency
65	0	1			
75	0	0			
85	0	0			
90	0	0			

pf	pc	80%		20%		50%	
		50%	30%	50%	30%	50%	30%
1	.78	.77	.77	.75	.74	.73	
2	.73	.70	.72	.69	.69	.67	
3	.68	.65	.67	.64	.65	.63	
4	.64	.60	.63	.59	.61	.58	
5	.60	.56	.59	.55	.58	.54	
6	.56	.52	.55	.51	.54	.51	
7	.52	.48	.52	.48	.51	.48	
8	.49	.45	.49	.45	.48	.45	
9	.47	.42	.46	.42	.46	.42	
10	.44	.40	.44	.40	.43	.39	

Mount height	50° beam angle		10% beam angle	
	Initial fc at beam center	Beam diameter	fc at beam edge	Beam diameter
8	95.7	5.8	47.9	8.6
10	51.5	8.0	25.7	11.7
12	32.1	10.1	16.0	14.9
14	21.9	12.2	10.9	18.0
16	15.9	14.4	7.9	21.1

CA9 8AR, 300W PS25 lamp, 6200 rated lumens, 1.1 s/mh, test no. LTL7631



From 0°	Ave	Lumens	Zone	Lumens	% Lamp
0	4193		0° - 30°	3086.2	49.8
5	4115	386	0° - 40°	4153.6	67.0
15	3780	1074	0° - 60°	4352.3	70.2
25	3646	1626	0° - 90°	4355.3	70.2
35	1709	1067	90° - 180°	0.0	0.0
45	178	185	0° - 180°	4355.3	*70.2
55	13	14			*E efficiency
65	3	3			
75	0	0			
85	0	0			
90	0	0			

pf	pc	80%		20%		50%	
		50%	30%	50%	30%	50%	30%
1	.78	.76	.76	.75	.73	.72	
2	.72	.70	.71	.69	.69	.67	
3	.67	.64	.66	.63	.65	.62	
4	.63	.59	.62	.59	.61	.58	
5	.59	.55	.58	.54	.57	.54	
6	.55	.51	.55	.51	.53	.50	
7	.52	.47	.51	.47	.50	.47	
8	.49	.44	.48	.44	.47	.44	
9	.46	.42	.45	.41	.45	.41	
10	.43	.39	.43	.39	.42	.39	

Mount height	50° beam angle		10% beam angle	
	Initial fc at beam center	Beam diameter	fc at beam edge	Beam diameter
8	138.6	6.1	69.3	8.8
10	74.5	8.3	37.3	12.1
12	46.5	10.6	23.2	15.3
14	31.7	12.8	15.9	18.5
16	23.0	15.0	11.5	21.7

NOTES:

- For electrical characteristics consult Technical Bulletins tab.
- Tested to current IES and NEMA standards under stabilized laboratory conditions. Various operating factors can cause differences between laboratory data and actual field measurements. Dimensions and specifications are based on the most current available data and are subject to change without notice.

SINC-130

©2006, 2009 Acuity Brands Lighting, Inc. All Rights Reserved. Rev. 10/10

gotham
An Acuity Brands Company

GOtham ARCHITECTURAL DOWNLIGHTING
A DIVISION OF ACUITY LIGHTING GROUP, INC.
1400 Lester Road Conyers Georgia 30012
P 800 315 4982 F 770 860 3129
www.gothamlighting.com