

FEATURES

- For use with 4" and 6" Ecos™ mounting frame. Microflange™ trim provides a clean, flush appearance for use with drywall ceiling applications. 4" unit will fit minimum 16" on-center joist construction. 6" unit will fit minimum 20" on-center joist construction.
- Gypsum interface board: a fiberglass reinforced board provides a solid interface between the mounting frame and ceiling, preventing hairline cracks that typically form around the finishing trim. The gypsum interface board can easily attach to the Ecos™ aperture mounting frame. Removable slats are provided to accommodate different ceiling thicknesses from 5/8" or 3/4". Adds 1/8" to overall fixture height.
- Plaster guard: snaps into aperture during the finishing process to protect the interface board and inside of fixture from plaster and paint.

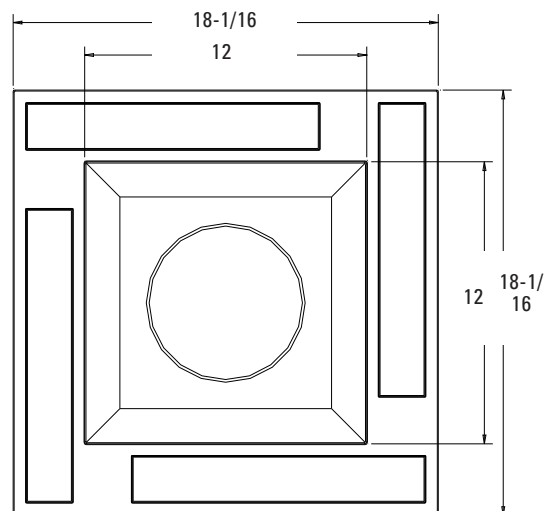
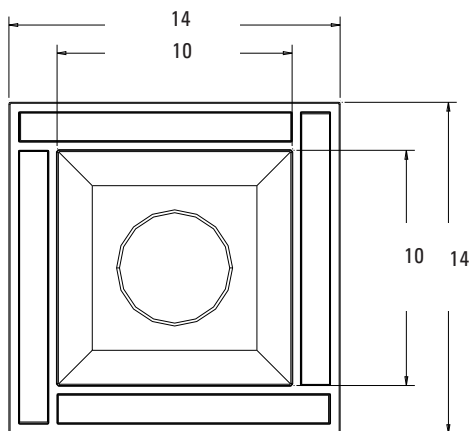
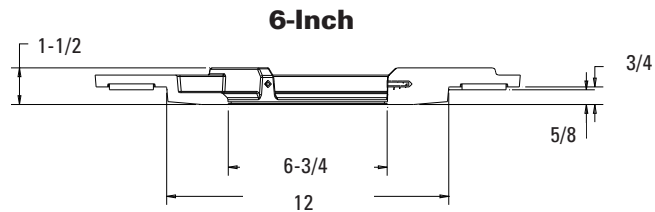
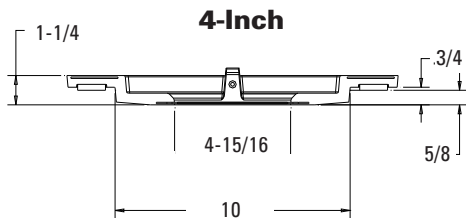
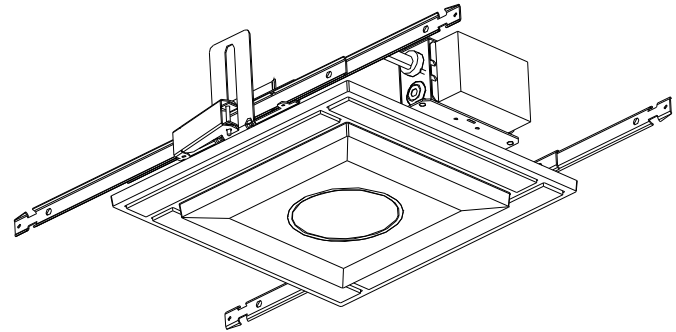
Type Catalog number

.....

Options and Accessories

ECOS™ MFLG

Microflange™ Trim
Round



All dimensions are inches

Microflange™ trims are available for use with the following Gotham luminaires (Specify MFLG in luminaire ordering tree)¹.

ECSR LED Downlight
 ECSRW LED Wallwash

Notes

1 Example: ECSR 35/14 6AR 120 MFLG